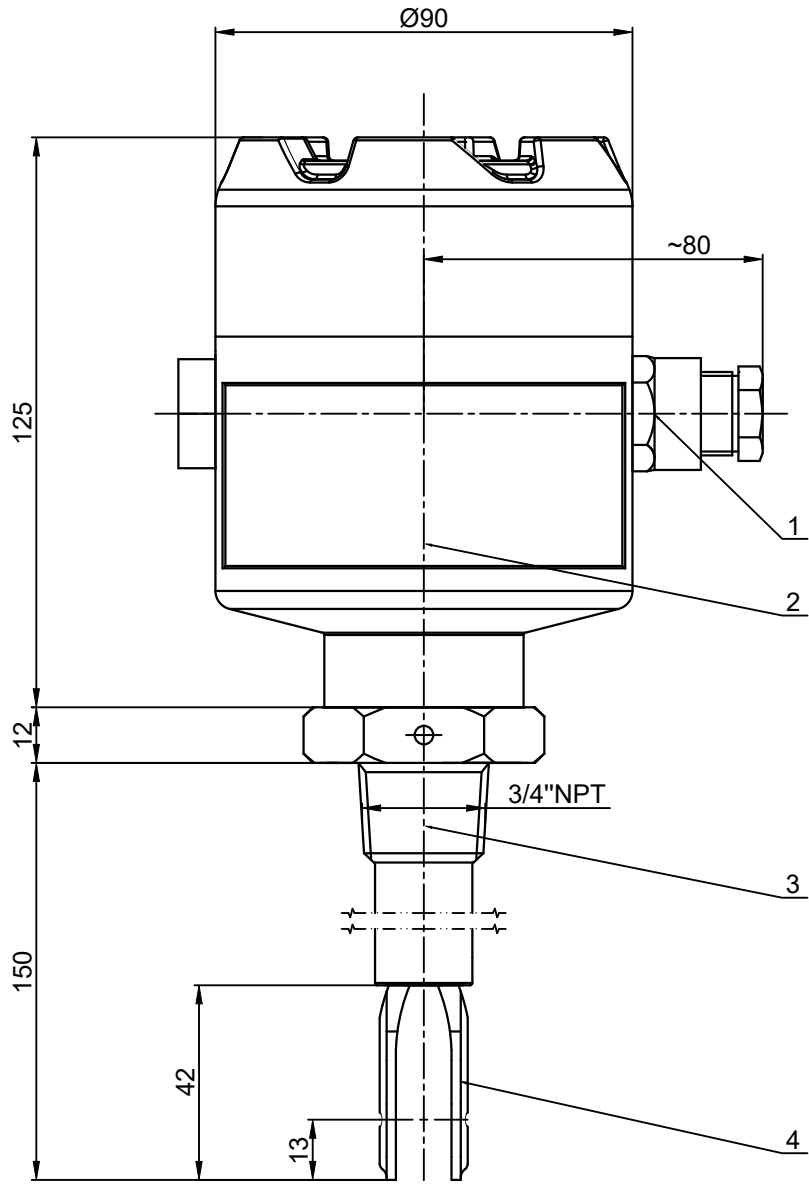


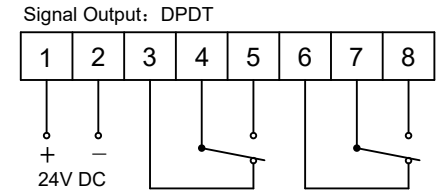
Type: TLS-ADNPTV-3/4"-JT-L150



Qty: 2
LS-RU0001A-01
LS-RU0001B-01

Tag No.: LS-RU0001A-01

Design temperature (°C)	Design pressure (MPa)
5...100	2.2



Contact rating: AC 220V 5A, DC 30V 5A
Ex-proof: Ex db IIC T6...T3 Ga/Gb (IECEX)

Copying of this document, and giving it to others and the use or communication of the contents thereof, are forbidden without express authority. Offenders are liable to the payment of damages. All rights are reserved in the event of the grant of a patent or the registration of a utility model or design.

类别
Type

2

4	1	Tuning fork	42mm	SS 316L	
3	1	Process connection	3/4" NPT ASME B1.20.2M	SS 316L	
2	1	Terminal box	Ø90×123mm	Aluminum alloy	
1	1	Electrical connection	M20×1.5	/	
序号 No.	数量 Quantity	名称 Item	规格 Specifications	材料 Materials	备注 Remarks
上海柯普乐自动化仪表有限公司 SHANGHAI KSR-KUEBLER Automation instruments Co.Ltd.			供货确认图 Supply product affirmed for drawing		
			未注尺寸公差按GB/T 19804或ISO 13920-PC级; Dimensions without tolerances GB/T 19804 or ISO 13920 of C.		
			单位: Unit	mm	幅面: Paper size
			A4		
			TL5		
			日期(Date) 姓名(Name)		
			绘图 Drwn.	2024.09.27	满建楠
			审核 Chkd.	2024.09.27	于洁
a) 修改螺纹标准/铭牌材质			2024.8.27		
标记 Rev.			更改版本 Change version		
			日期 Date		
			图号(Drawing No.): Q20240927.00-01A		
本图有效期为自绘图之日起1年内为有效; This drawing is valid in 1 year from draw date.					