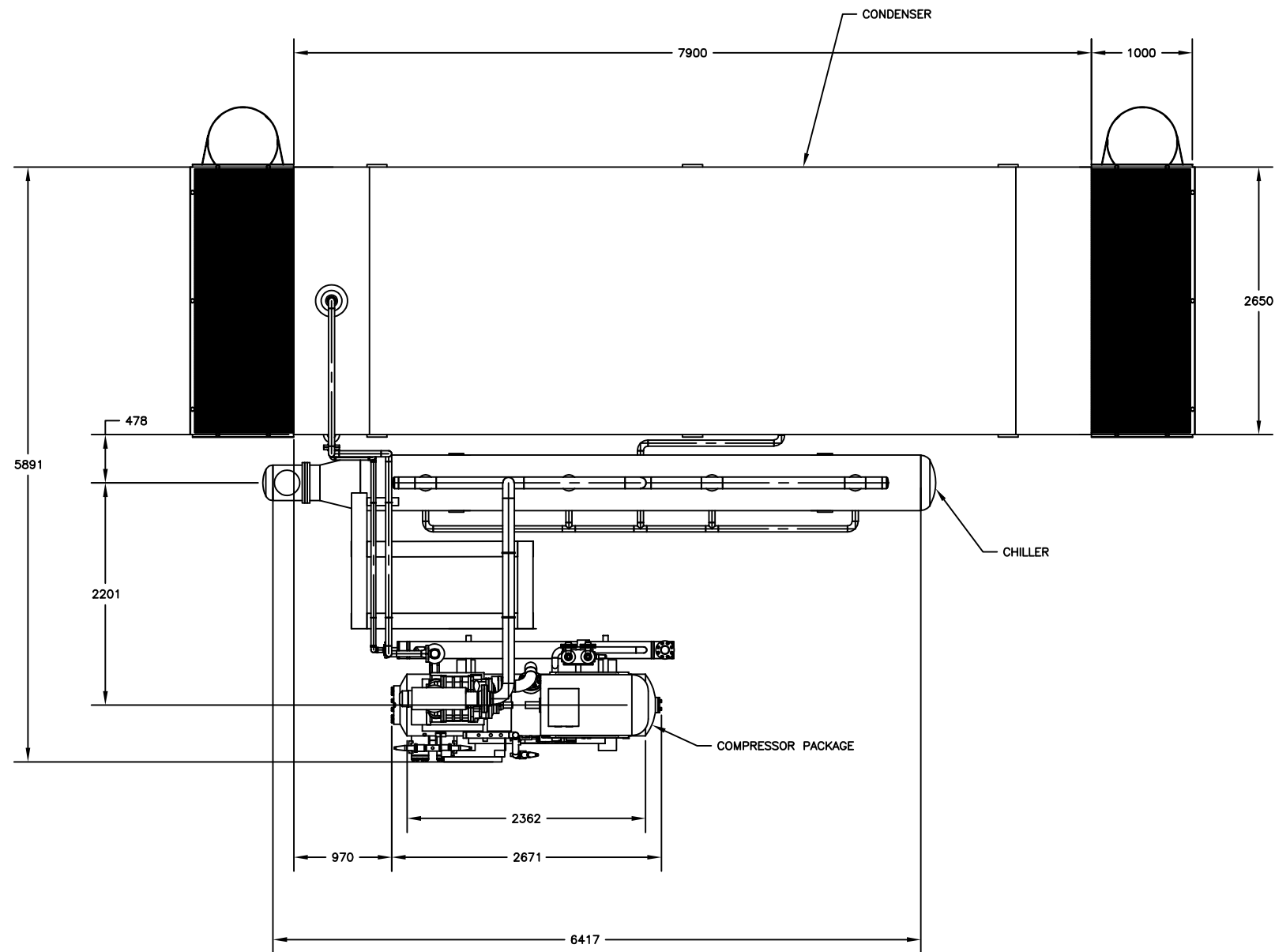


APPROXIMATE WEIGHT	
CONDENSER	7000 KG
CHILLER	3800 KG
RECEIVER	2000 KG
COMPRESSOR PACKAGE	6000 KG

PRELIMINARY



NOTES:  
1. ALL DIMENSIONS ARE IN MM.

REV.	STATUS	DATE	PURPOSE OF ISSUE	PREP.	CHKD.	APPD.	AUTH.
0	F	05.04.24	FOR APPROVAL	AJD	AJD	IES	SES

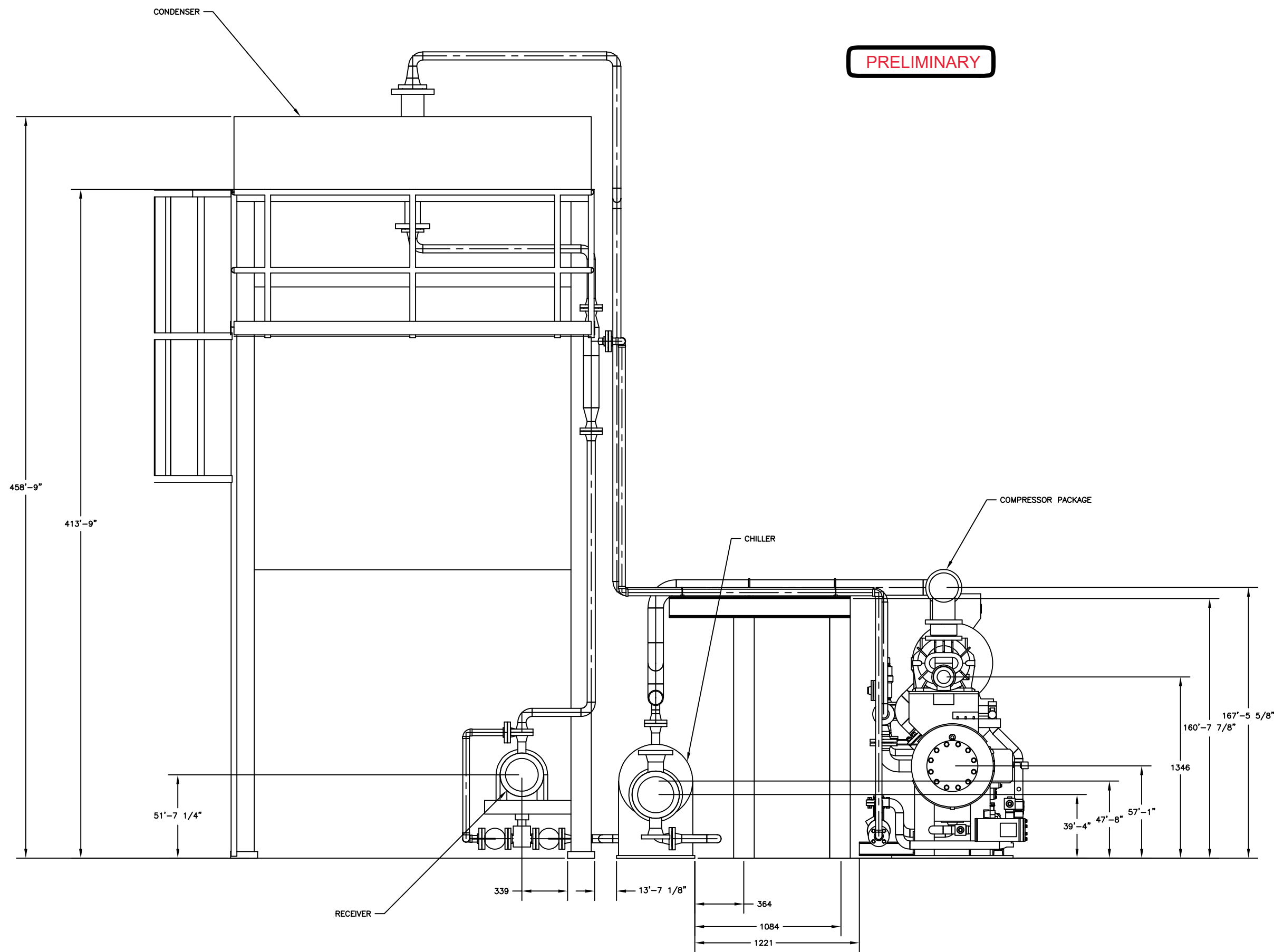
CLIENT:	ENER TECHNOLOG
SERVICE:	PROPYLENE REFRIGERATION PACKAGE
LOCATION:	IRAQ
UNIT TAG NO.:	RU-001 AB

VENDOR LOGO	
Contract No.	P.O. No. ENER-MME-2024-100-001
	SCALE

DRAWING TITLE:  
GENERAL ARRANGEMENT DRAWING

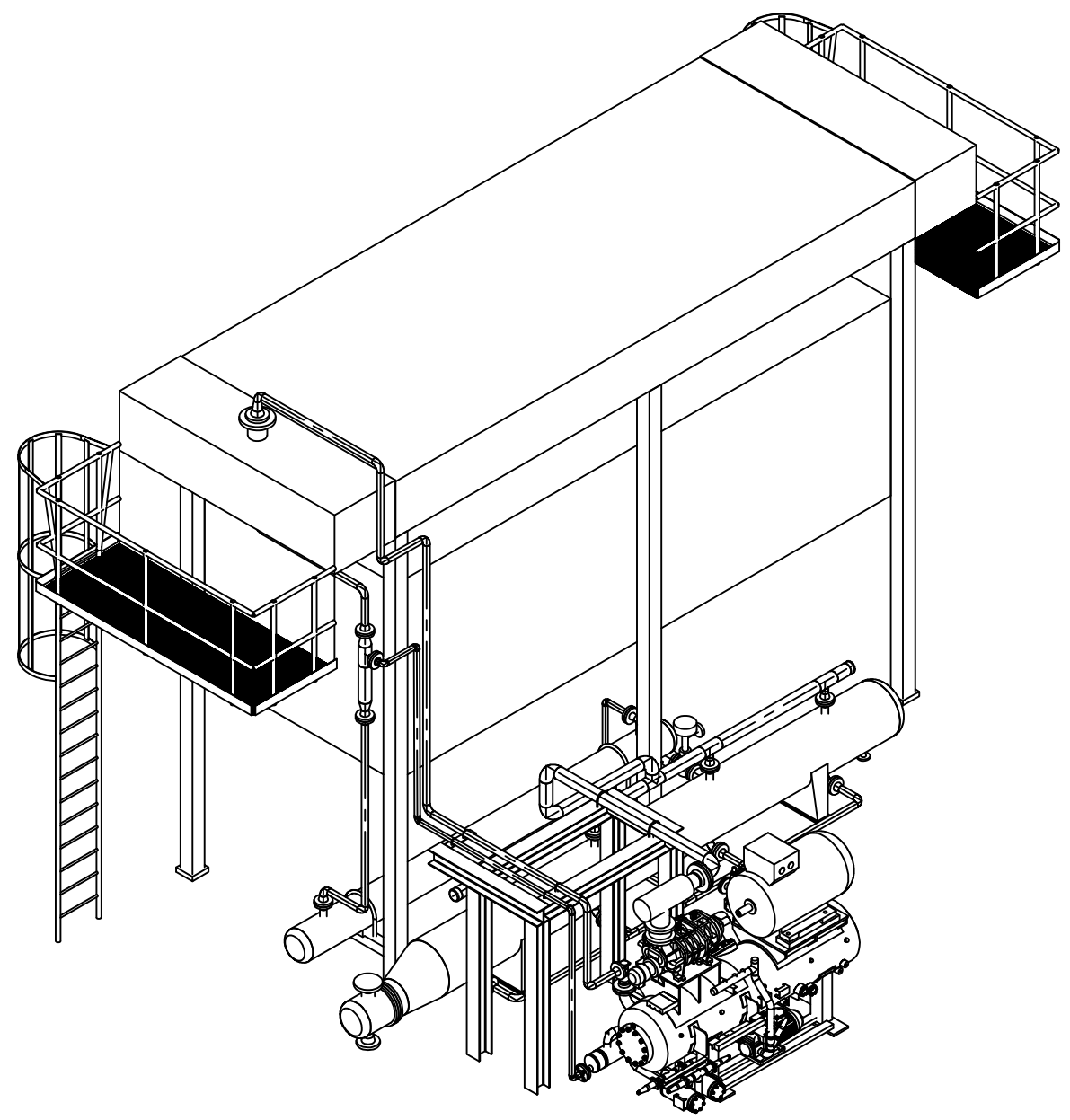
DRAWING NO.	REV.	SHEET No.	SIZE
MPE007-20011-1	0	1 OF 5	D

PRELIMINARY



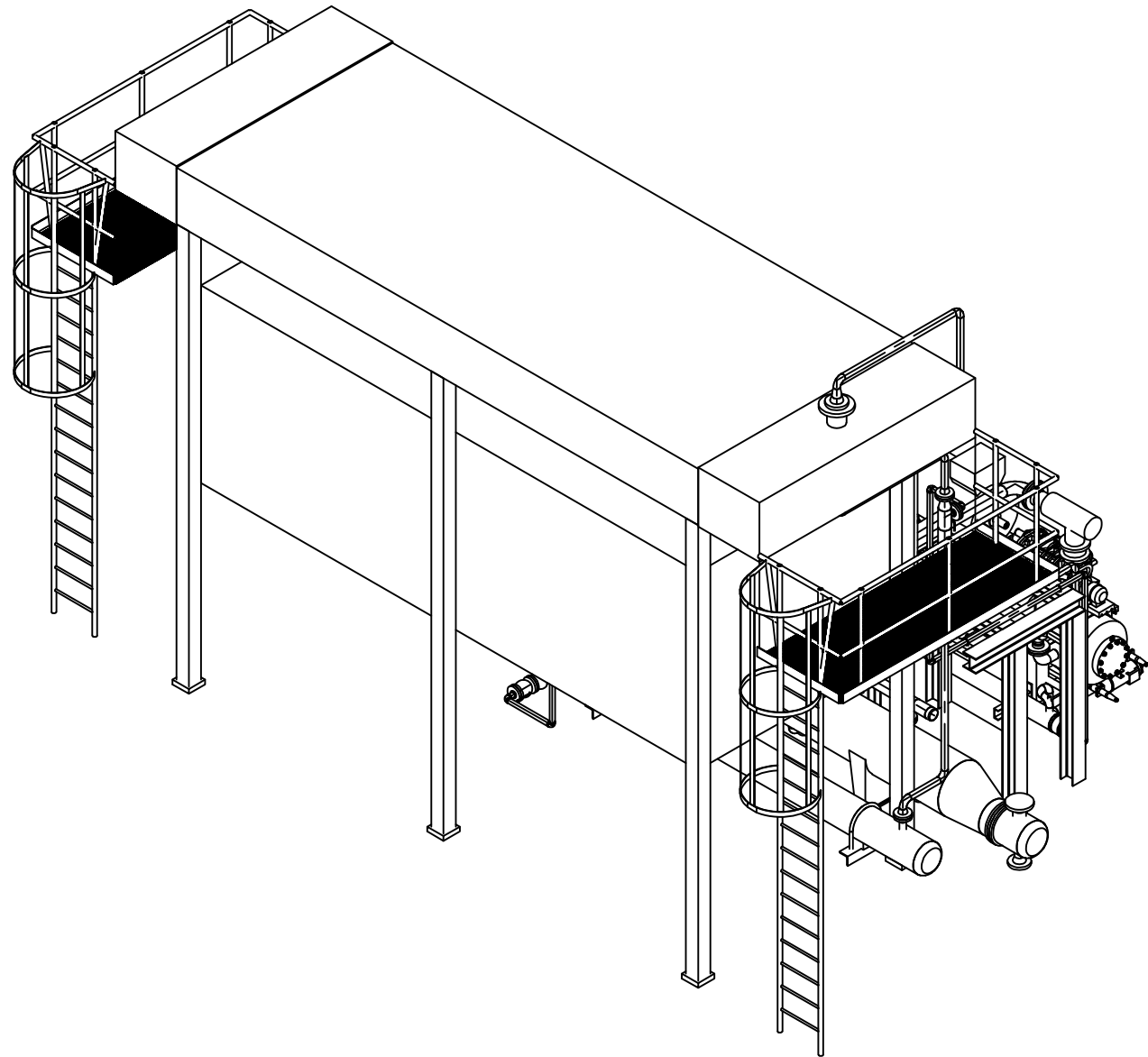
0	F	05.04.24	FOR APPROVAL	AJD	AJD	IES	SES
REV.	STATUS	DATE	PURPOSE OF ISSUE	PREP.	CHKD.	APPD.	AUTH.
CLIENT: ENER TECHNOLOG SERVICE: PROPYLENE REFRIGERATION PACKAGE LOCATION: IRAQ UNIT TAG NO.: RU-0001 A/B				VENDOR LOGO			
Contract No.		P.O. No. ENER-MME-2024-100-001		SCALE			
DRAWING TITLE: GENERAL ARRANGEMENT DRAWING							
DRAWING NO. MPE007-20011-2				REV.	SHEET No.	SIZE	
				0	2 OF 6	D	

PRELIMINARY



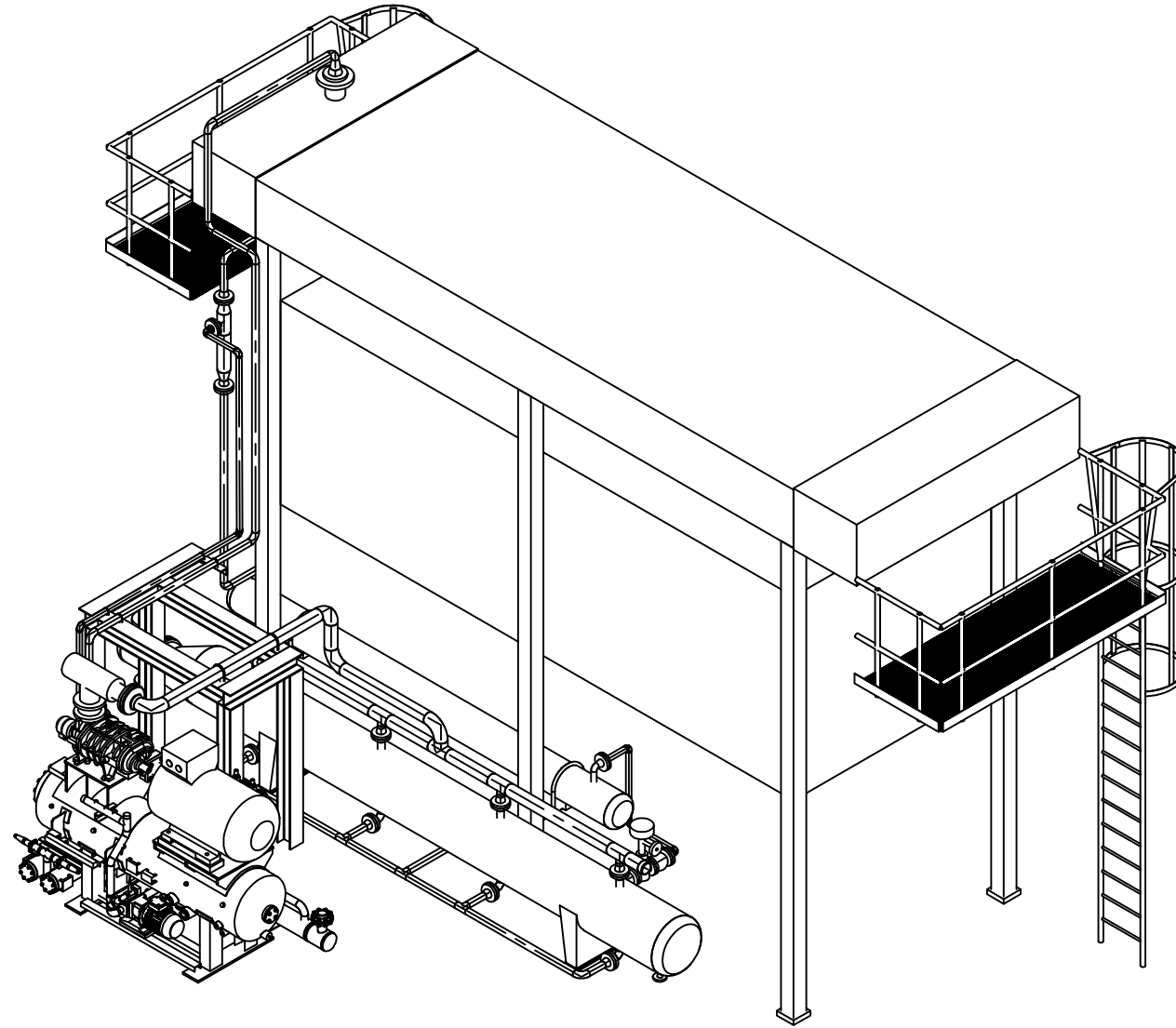
0	F	05.04.24	FOR APPROVAL	AJD	AJD	IES	SES
REV.	STATUS	DATE	PURPOSE OF ISSUE	PREP.	CHKD.	APPD.	AUTH.
<small>CLIENT: ENER TECHNOLOG</small> <small>SERVICE: PROPYLENE REFRIGERATION PACKAGE</small> <small>LOCATION: IRAG</small> <small>UNIT TAG NO.: RU-0001 AB</small>							
<small>VENDOR LOGO</small>							
<small>Contract No.</small>		<small>P.O. No. ENER-MME-2024-100-001</small>		<small>SCALE</small>			
<small>DRAWING TITLE:</small> <b>GENERAL ARRANGEMENT DRAWING</b>							
<small>DRAWING NO.</small> <b>MPE007-20011-3</b>				<small>REV.</small> <b>0</b>	<small>SHEET No.</small> <b>3 OF 6</b>	<small>SIZE</small> <b>D</b>	

PRELIMINARY



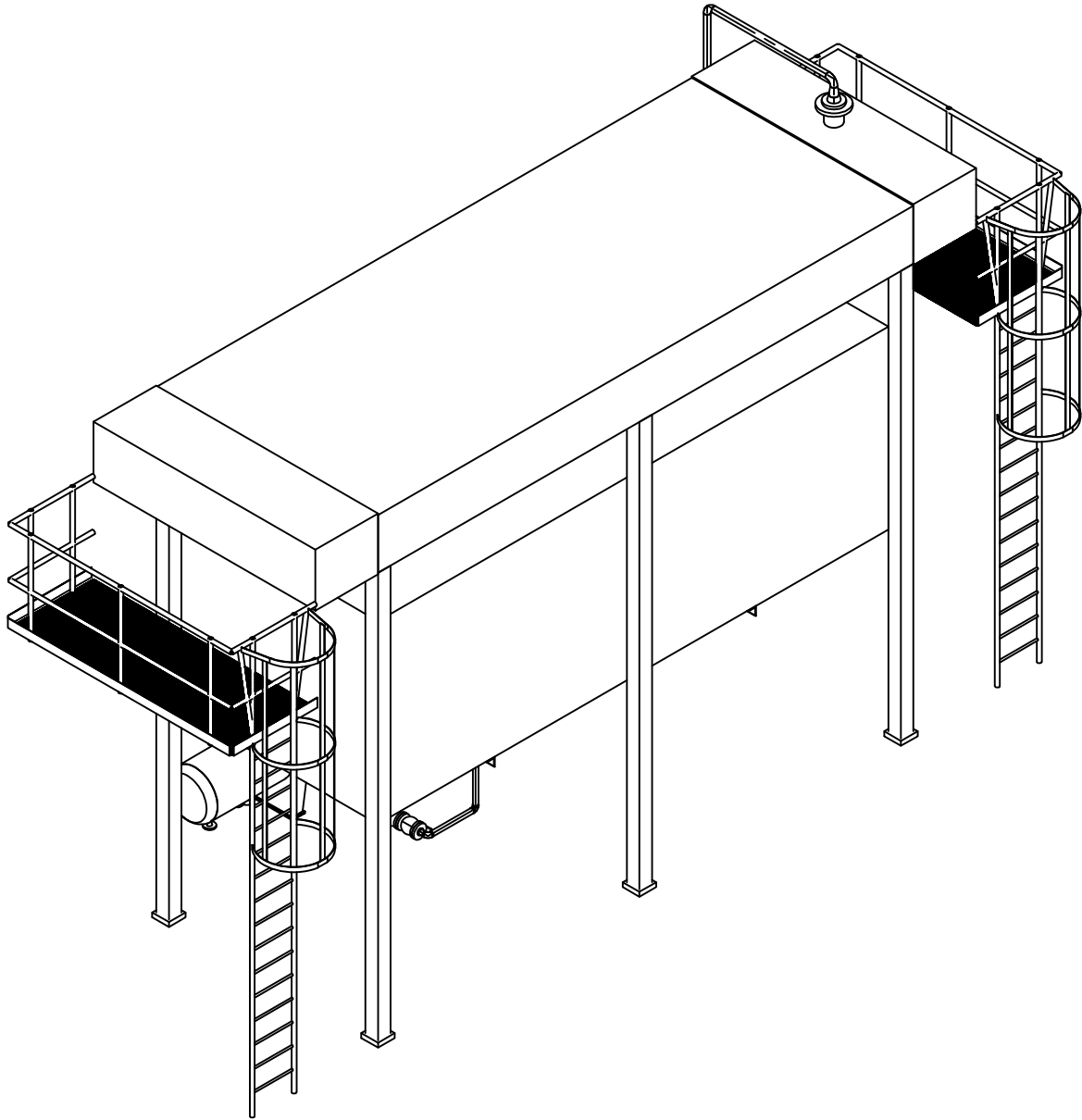
0	F	05.04.24	FOR APPROVAL	AJD	AJD	IES	SES		
REV.	STATUS	DATE	PURPOSE OF ISSUE	PREP.	CHKD.	APPD.	AUTH.		
<small>CLIENT: ENER TECHNOLOG</small> <small>SERVICE: PROPYLENE REFRIGERATION PACKAGE</small> <small>LOCATION: IRAQ</small> <small>UNIT TAG NO.: RU-0001 AB</small>									
<small>VENDOR LOGO</small>									
<small>Contract No.</small>		<small>P.O. No.</small> ENER-MME-2024-100-001		<small>SCALE</small>					
<b>DRAWING TITLE:</b>									
GENERAL ARRANGEMENT DRAWING									
<small>DRAWING NO.</small>				<small>REV.</small>	<small>SHEET No.</small>	<small>SIZE</small>			
MPE007-20011-4				0	4 OF 6	D			

PRELIMINARY



0	F	05.04.24	FOR APPROVAL	AJD	AJD	IES	SES				
REV.	STATUS	DATE	PURPOSE OF ISSUE	PREP.	CHKD.	APPD.	AUTH.				
		<small>CLIENT: ENER TECHNOLOG</small> <small>SERVICE: PROPYLENE REFRIGERATION PACKAGE</small> <small>LOCATION: IRAQ</small> <small>UNIT TAG NO.: RU-0001 AB</small>									
		<small>VENDOR LOGO</small>									
		<small>Contract No.</small> P.O. No. ENER-MME-2024-100-001						SCALE			
DRAWING TITLE:											
GENERAL ARRANGEMENT DRAWING											
		<small>DRAWING NO.</small> MPE007-20011-5		<small>REV.</small> 0	<small>SHEET No.</small> 5 OF 6			<small>SIZE</small> D			

PRELIMINARY



0	F	05.04.24	FOR APPROVAL	AJD	AJD	IES	SES
REV.	STATUS	DATE	PURPOSE OF ISSUE	PREP.	CHKD.	APPD.	AUTH.
CLIENT: ENER TECHNOLOG			PROPYLENE REFRIGERATION PACKAGE				
SERVICE: ENER TECHNOLOG			PROPYLENE REFRIGERATION PACKAGE				
LOCATION: IRAQ			RU-0001 AB				
UNIT TAG NO:							
VENDOR LOGO							
Contract No.			P.O. No. ENER-MME-2024-100-001		SCALE		
DRAWING TITLE: GENERAL ARRANGEMENT DRAWING							
DRAWING NO. MPE006-20011-6				REV.	SHEET No.	SIZE	
				0	6 OF 6	D	