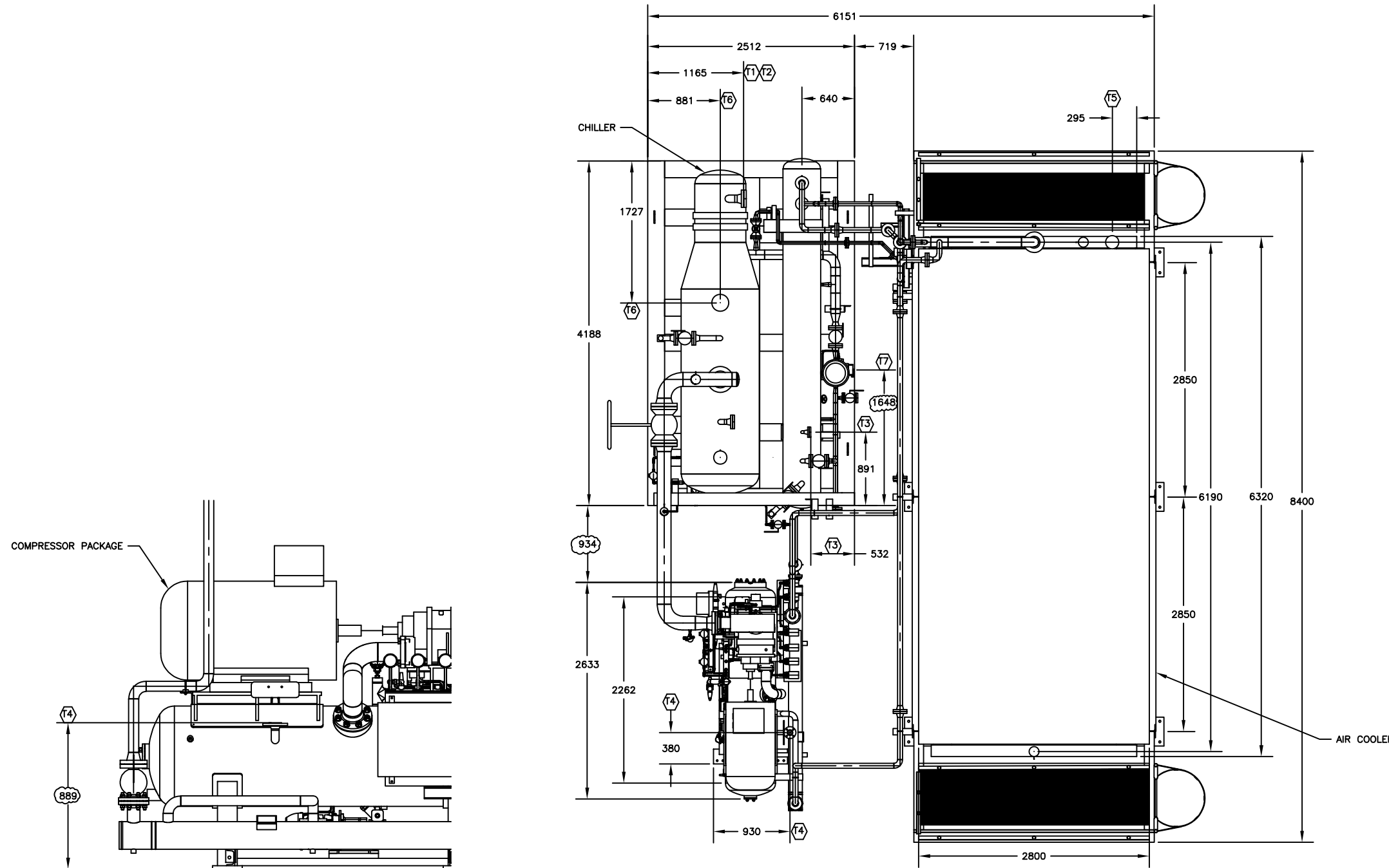


CONNECTION LIST

NO.	LOCATION	DESCRIPTION	SIZE
T-1	VESSEL SKID	CHILLER INLET	3"-150 ANSI RF
T-2	VESSEL SKID	CHILLER OUTLET	3"-150 ANSI RF
T-3	VESSEL SKID	FILTER DRYER INLET	1"-300 ANSI RF
T-4	COMPRESSOR SKID	OIL SEPARATOR PSV	1 1/2"-300 ANSI RF
T-5	VESSEL SKID	CONDENSER PSV	2"-300 ANSI RF
T-6	VESSEL SKID	CHILLER PSV	3"-300 ANSI RF
T-7	VESSEL SKID	INSTRUMENT AIR SUPPLY	1/2"-150 ANSI RF

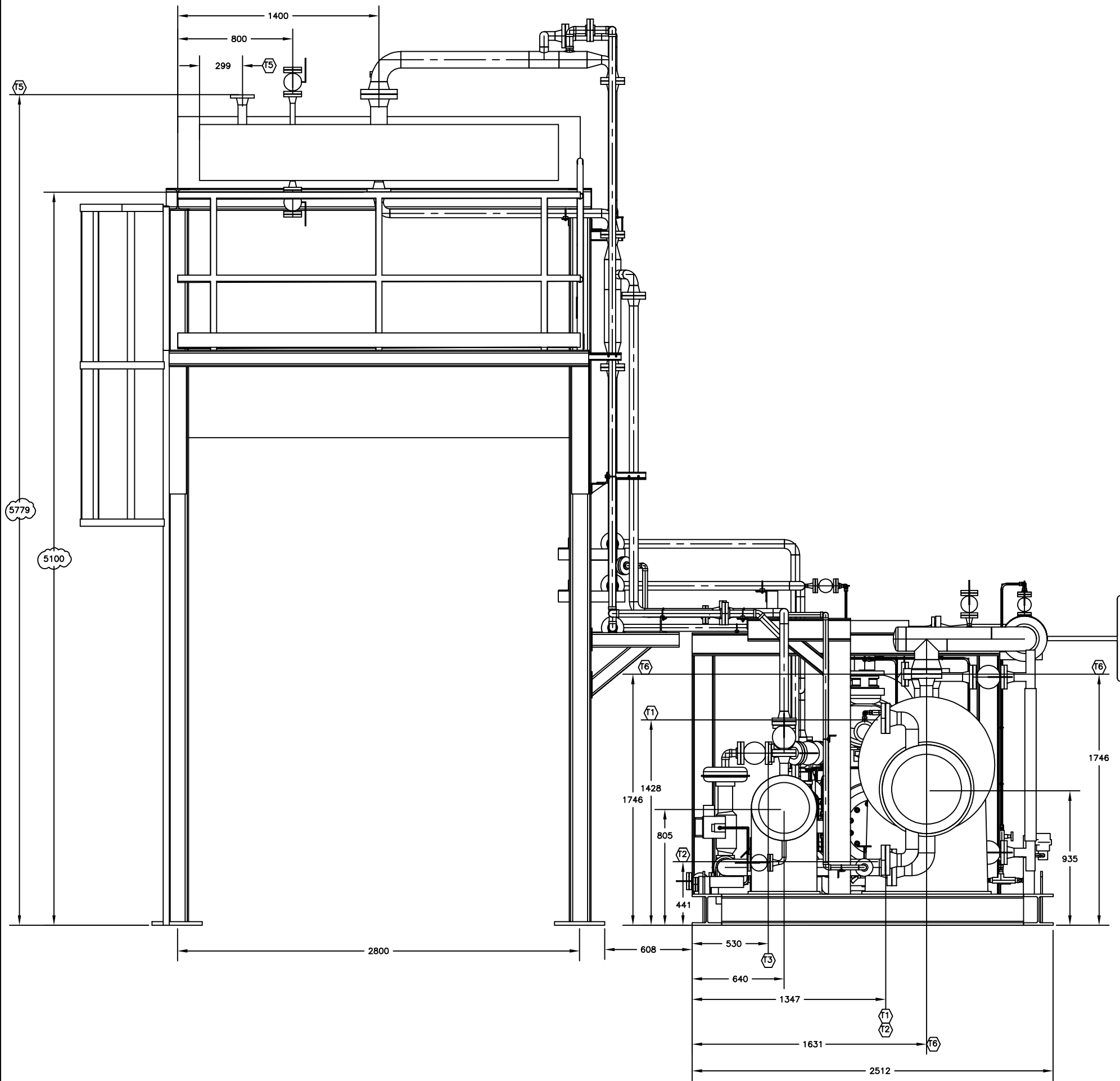
WEIGHT	
CONDENSER	5600 KG
VESSEL SKID	7000 KG
COMPRESSOR SKID	3500 KG

- NOTES:
- ALL DIMENSIONS ARE IN MM.
  - FOR SKID INSTALLATION, REFER TO INSTRUCTION AND OPERATIONAL MANUAL.
  - ANCHOR HOLES TOLERANCES ± 0.13 in (± 3.2 mm).
  - CUSTOMER CONNECTION TOLERANCES: ± 1.00 in (± 25.4 mm).
  - FLANGES ARE PER ANSI STD PER ASME B16.5.
  - NON-SKID GRATING UNDER MAINTENANCE AREA IS NOT INCLUDED.
  - PERSONAL PROTECTION, HEAT AND COLD CONSERVATION HEAT TRACING IS BY OTHER.



REV.	STATUS	DATE	PURPOSE OF ISSUE	PREP.	CHKD.	APPD.	AUTH.
3	F	22.08.24	FOR APPROVAL	AJD	AJD	IES	SES
2	F	22.07.24	FOR APPROVAL	AJD	AJD	IES	SES
1	F	19.07.24	FOR APPROVAL	AJD	AJD	IES	SES
0	F	05.04.24	FOR APPROVAL	AJD	AJD	IES	SES

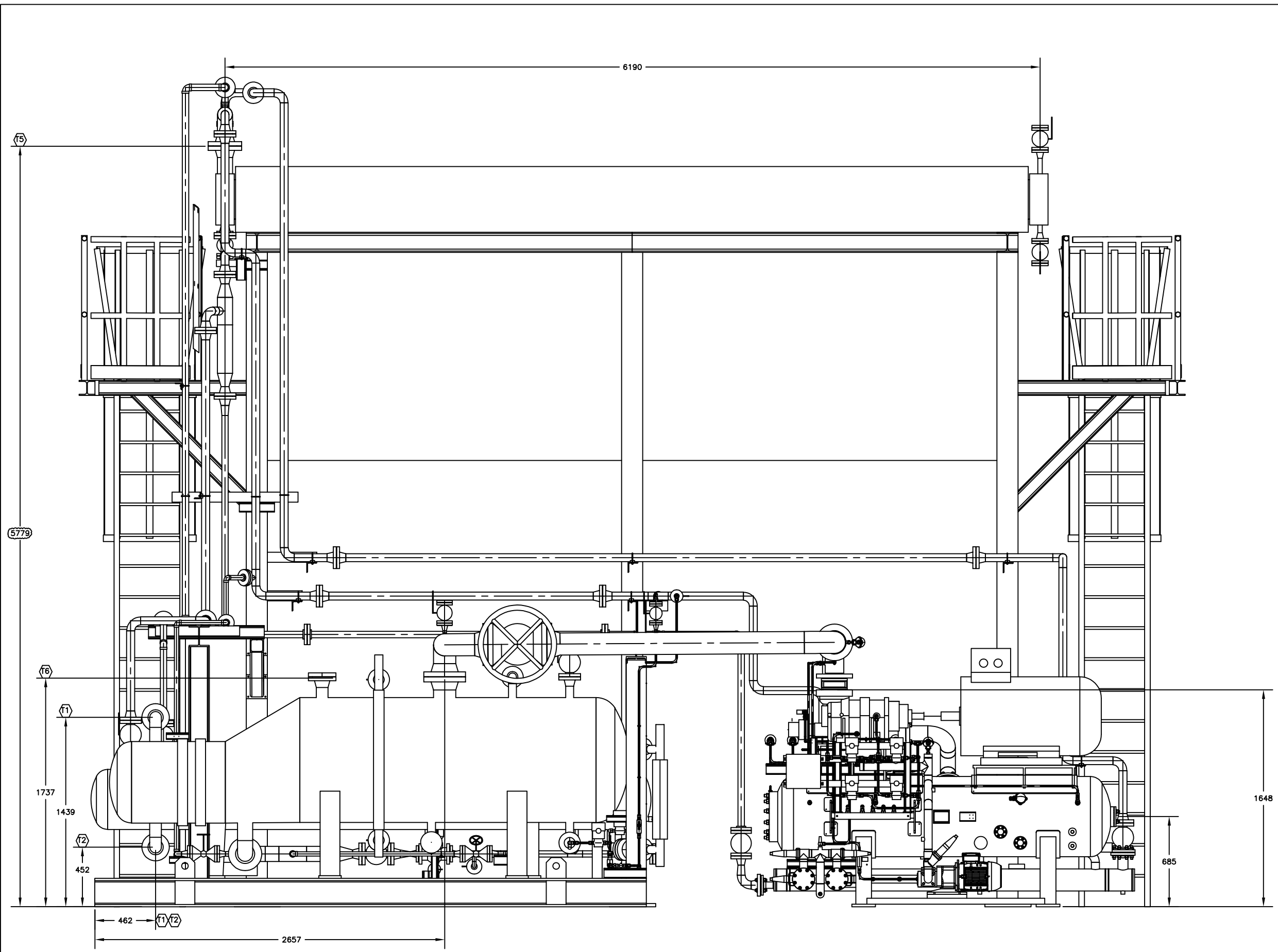
CLIENT: ENER TECHNOLOGI		PROPRANE REFRIGERATION PACKAGE	
SERVICE: IRAQ		RU-001 AB	
LOCATION: UNIT TAG NO.:			
VENDOR LOGO			
Contract No.	P.O. No.	ENER-MME-2024-100-001	SCALE
DRAWING TITLE: GENERAL ARRANGEMENT DRAWING			
DRAWING NO.	REV.	SHEET No.	SIZE
MPE007-20011-1	3	1 OF 10	D



NOTES:  
 1. FOR ALL APPLICABLE NOTES, PLEASE REFER TO SHEET 1.

REV.	STATUS	DATE	PURPOSE OF ISSUE	PREP.	CHKD.	APPD.	AUTH.
3	F	22.08.24	FOR APPROVAL	AJD	AJD	IES	SES
2	F	22.07.24	FOR APPROVAL	AJD	AJD	IES	SES
1	F	19.07.24	FOR APPROVAL	AJD	AJD	IES	SES
0	F	05.04.24	FOR APPROVAL	AJD	AJD	IES	SES

CLIENT:	ENER TECHNOLOGI
SERVICE:	PROPANE REFRIGERATION PACKAGE
LOCATION:	IRAQ
UNIT TAG NO.:	RU-001 AB
VENDOR LOGO	
Contract No.	P.O. No. ENER-MME-2024-100-001
SCALE	
DRAWING TITLE: GENERAL ARRANGEMENT DRAWING	
DRAWING NO. MPE007-20011-2	REV. SHEET No. SIZE 3 2 OF 10 D



NOTES:  
 1. FOR ALL APPLICABLE NOTES, PLEASE REFER TO SHEET 1.

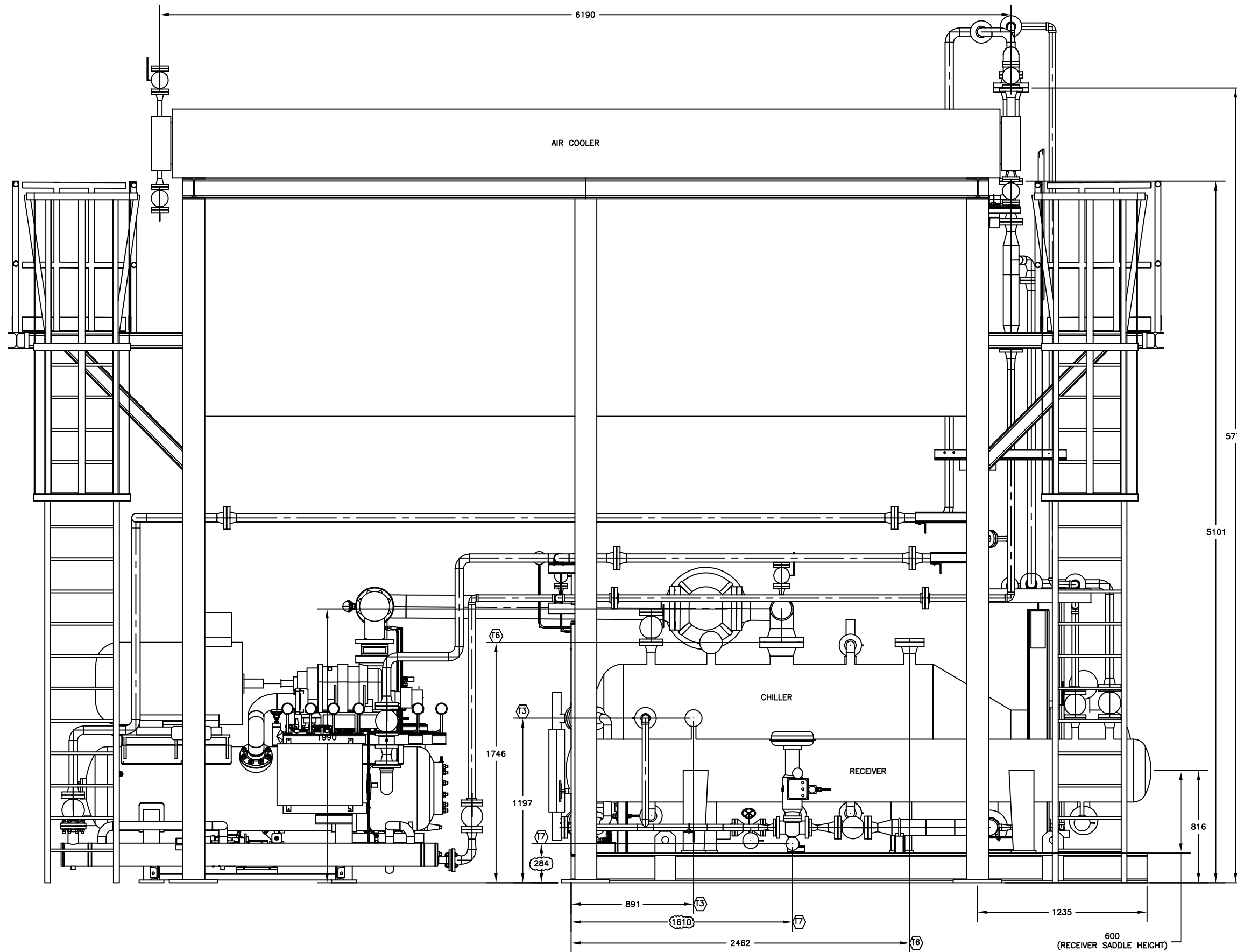
REV.	STATUS	DATE	PURPOSE OF ISSUE	PREP.	CHKD.	APPD.	AUTH.
3	F	22.08.24	FOR APPROVAL	AJD	AJD	IES	SES
2	F	22.07.24	FOR APPROVAL	AJD	AJD	IES	SES
1	F	19.07.24	FOR APPROVAL	AJD	AJD	IES	SES
0	F	05.04.24	FOR APPROVAL	AJD	AJD	IES	SES

CLIENT:	ENER TECHNOLOG
SERVICE:	PROPANE REFRIGERATION PACKAGE
LOCATION:	IRAQ
UNIT TAG NO.:	RU-001 AB
VENDOR LOGO	
Contract No.	P.O. No. ENER-MME-2024-100-001
SCALE	
DRAWING TITLE: GENERAL ARRANGEMENT DRAWING	
DRAWING NO. MPE007-20011-3	REV. SHEET No. SIZE 3 3 OF 10 D

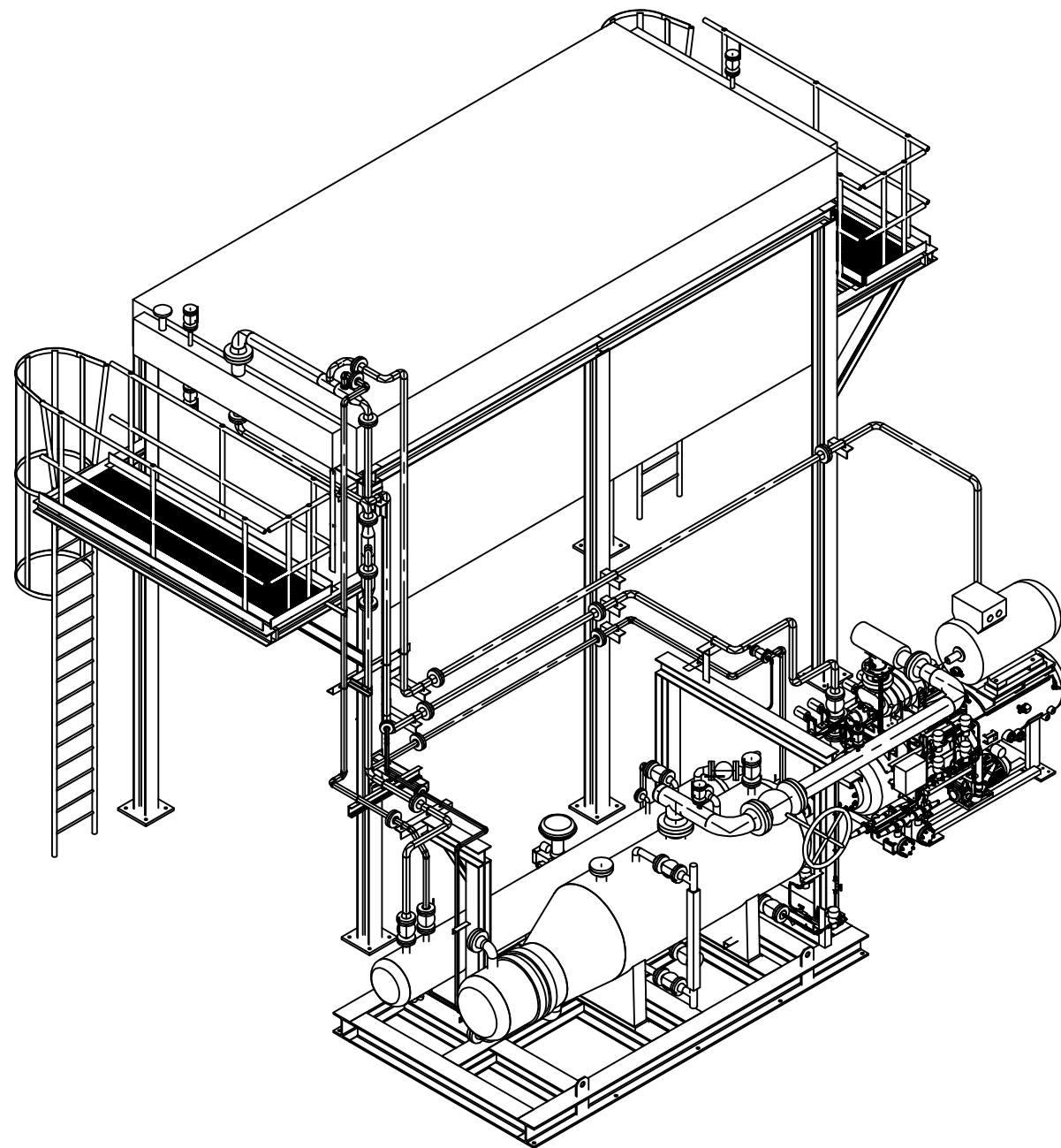
Z:\16. ENGINEERING\_Chemical Group\04. Project\12. MPE007\_Delta GmbH\_Refrigeration Package\CAD\PLANT 3D\01 Aug' 24\Orthos\DWGs\20011-3.dwg

NOTES:  
 1. FOR ALL APPLICABLE NOTES, PLEASE REFER TO SHEET 1.



REV.	STATUS	DATE	PURPOSE OF ISSUE	PREP.	CHKD.	APPD.	AUTH.
3	F	22.08.24	FOR APPROVAL	AJD	AJD	IES	SES
2	F	22.07.24	FOR APPROVAL	AJD	AJD	IES	SES
1	F	19.07.24	FOR APPROVAL	AJD	AJD	IES	SES
0	F	05.04.24	FOR APPROVAL	AJD	AJD	IES	SES

CLIENT:		ENER TECHNOLOGI					
SERVICE:		PROPANE REFRIGERATION PACKAGE					
LOCATION:		IRAG					
UNIT TAG NO.:		RU-001 AB					
VENDOR LOGO:							
Contract No.	P.O. No.	ENER-MME-2024-100-001				SCALE	
DRAWING TITLE: GENERAL ARRANGEMENT DRAWING							
DRAWING NO. MPE007-20011-4		REV.	SHEET No.	SIZE			
		3	4 OF 10	D			



NOTES:

1. FOR ALL APPLICABLE NOTES, PLEASE REFER TO SHEET 1.

3	F	22.08.24	FOR APPROVAL	AJD	AJD	IES	SES
2	F	22.07.24	FOR APPROVAL	AJD	AJD	IES	SES
1	F	19.07.24	FOR APPROVAL	AJD	AJD	IES	SES
0	F	05.04.24	FOR APPROVAL	AJD	AJD	IES	SES

REV.	STATUS	DATE	PURPOSE OF ISSUE	PREP.	CHKD.	APPD.	AUTH.
------	--------	------	------------------	-------	-------	-------	-------

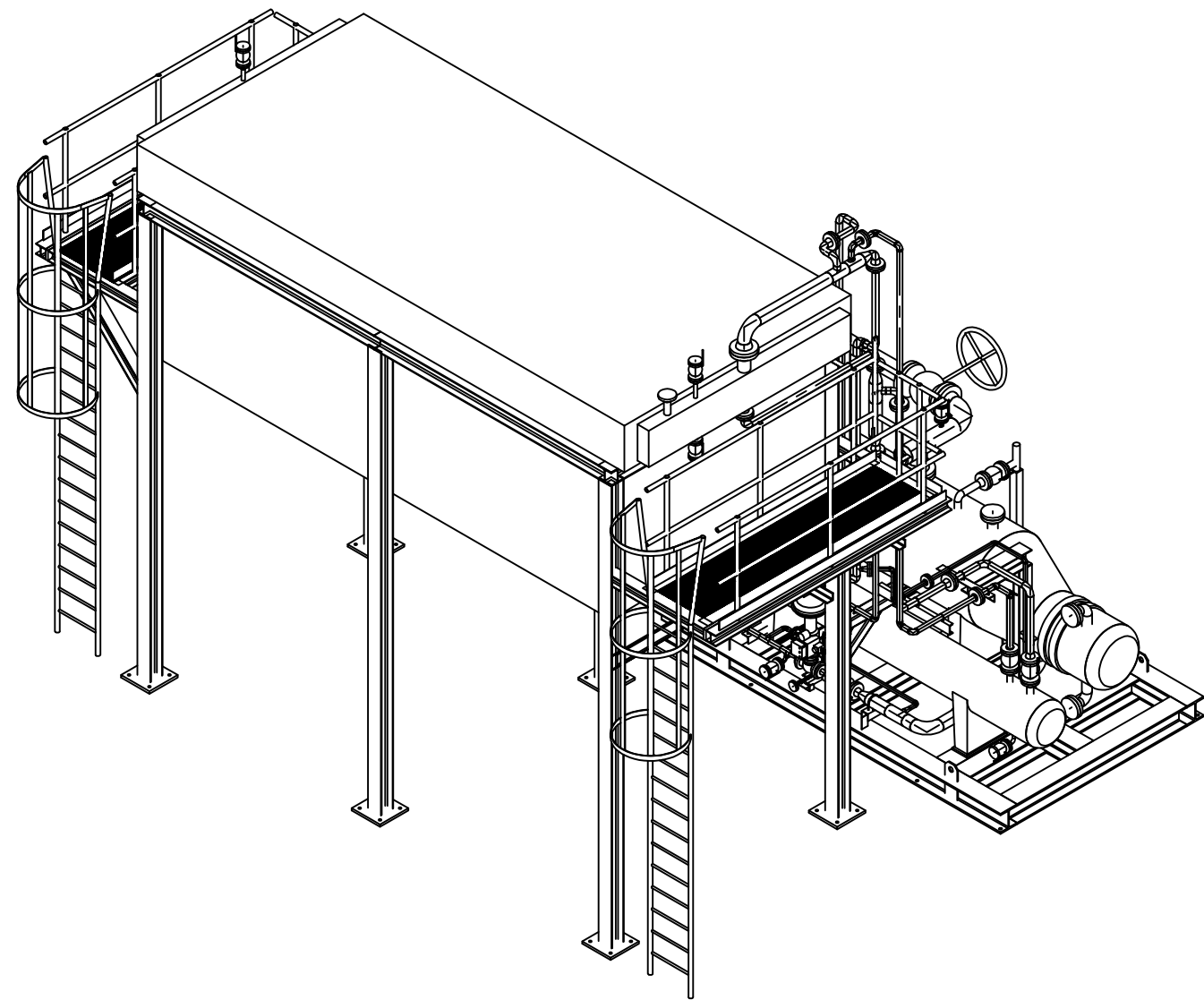
CLIENT:	ENER TECHNOLOG
SERVICE:	PROPANE REFRIGERATION PACKAGE
LOCATION:	IRAQ
UNIT TAG NO.:	RU-001 AB

VENDOR LOGO	
-------------	--

Contract No.	P.O. No.	ENER-MME-2024-100-001	SCALE
--------------	----------	-----------------------	-------

DRAWING TITLE:  
GENERAL ARRANGEMENT DRAWING

DRAWING NO.	REV.	SHEET No.	SIZE
MPE007-20011-5	3	5 OF 10	D

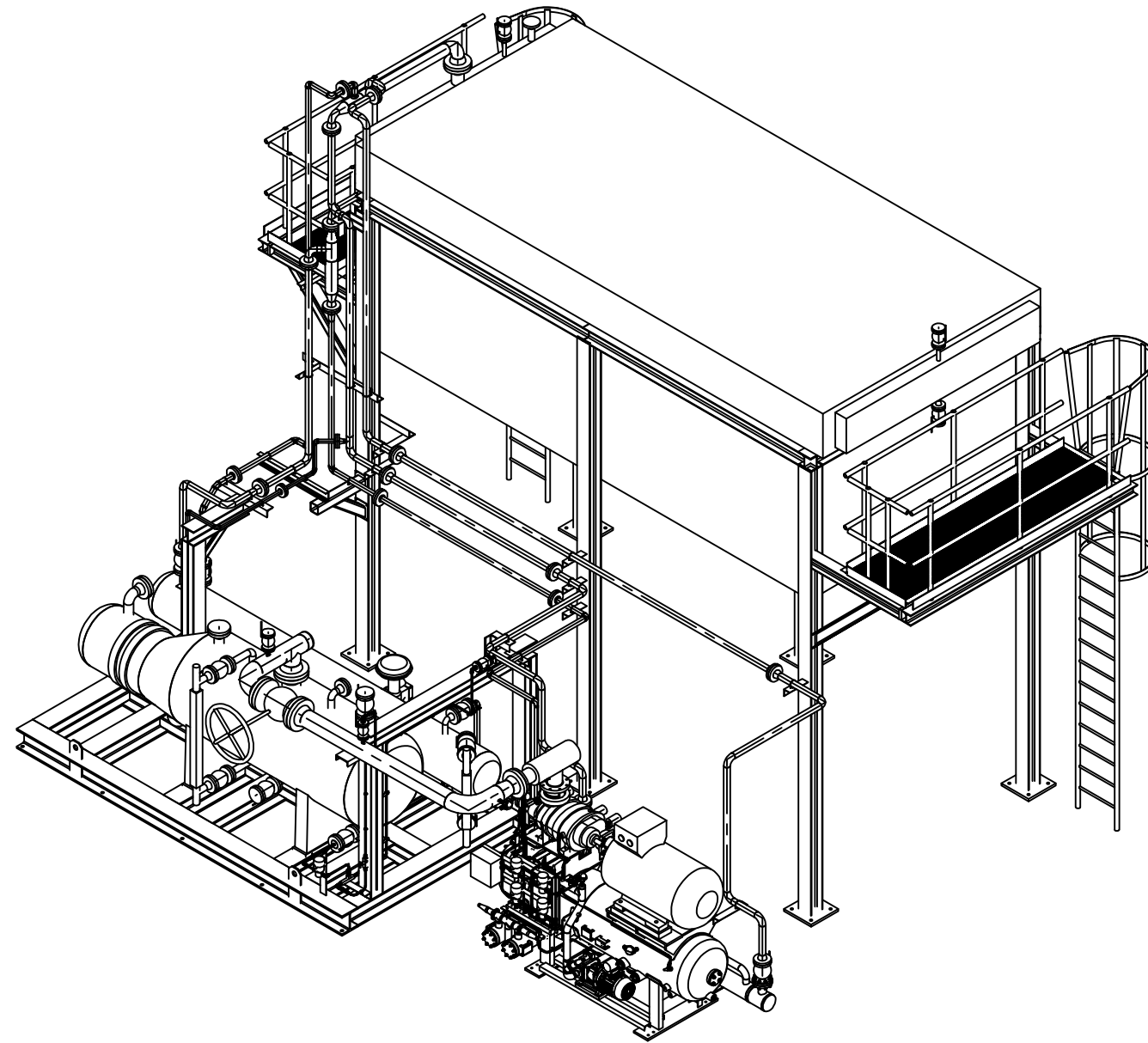


NOTES:

1. FOR ALL APPLICABLE NOTES, PLEASE REFER TO SHEET 1.

REV.	STATUS	DATE	PURPOSE OF ISSUE	PREP.	CHKD.	APPD.	AUTH.
3	F	22.08.24	FOR APPROVAL	AJD	AJD	IES	SES
2	F	22.07.24	FOR APPROVAL	AJD	AJD	IES	SES
1	F	19.07.24	FOR APPROVAL	AJD	AJD	IES	SES
0	F	05.04.24	FOR APPROVAL	AJD	AJD	IES	SES

CLIENT:		ENER TECHNOLOGI					
SERVICE:		PROPANE REFRIGERATION PACKAGE					
LOCATION:		IRAQ					
UNIT TAG NO.:		RU-001 AB					
VENDOR LOGO							
Contract No.	P.O. No.	ENER-MME-2024-100-001				SCALE	
DRAWING TITLE:							
GENERAL ARRANGEMENT DRAWING							
DRAWING NO.		REV.	SHEET No.	SIZE			
MPE007-20011-6		3	6 OF 10	D			



NOTES:  
 1. FOR ALL APPLICABLE NOTES, PLEASE REFER TO SHEET 1.

3	F	22.08.24	FOR APPROVAL	AJD	AJD	IES	SES
2	F	22.07.24	FOR APPROVAL	AJD	AJD	IES	SES
1	F	19.07.24	FOR APPROVAL	AJD	AJD	IES	SES
0	F	05.04.24	FOR APPROVAL	AJD	AJD	IES	SES
REV.	STATUS	DATE	PURPOSE OF ISSUE	PREP.	CHKD.	APPD.	AUTH.

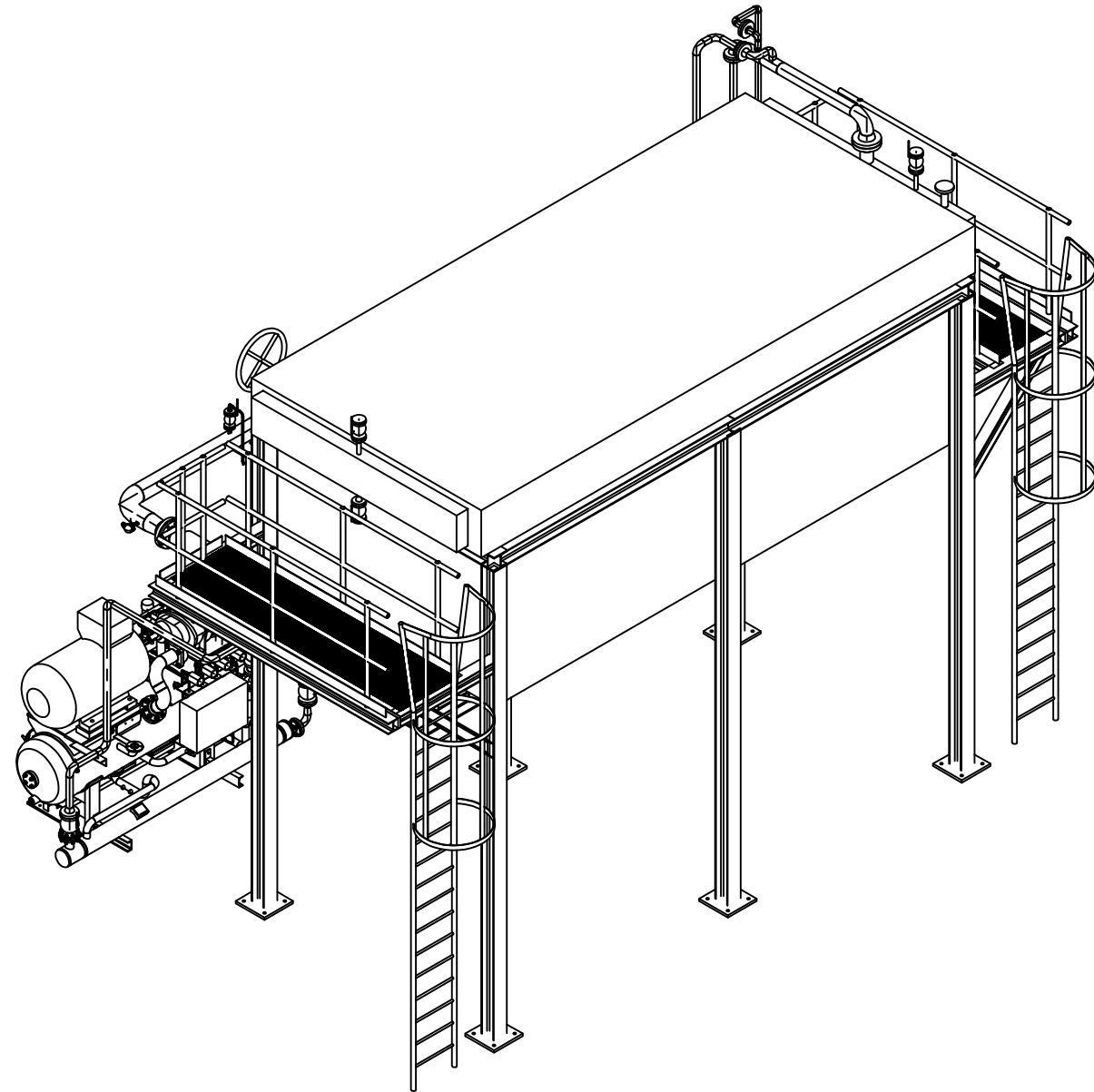
CLIENT: ENER TECHNOLOGI  
 SERVICE: PROPANE REFRIGERATION PACKAGE  
 LOCATION: IRAQ  
 UNIT TAG NO.: RU-001 AB

VENDOR LOGO

Contract No. P.O. No. ENER-MME-2024-100-001 SCALE

DRAWING TITLE:  
 GENERAL ARRANGEMENT DRAWING

DRAWING NO. MPE007-20011-7	REV. 3	SHEET No. 7 OF 10	SIZE D
-------------------------------	-----------	----------------------	-----------

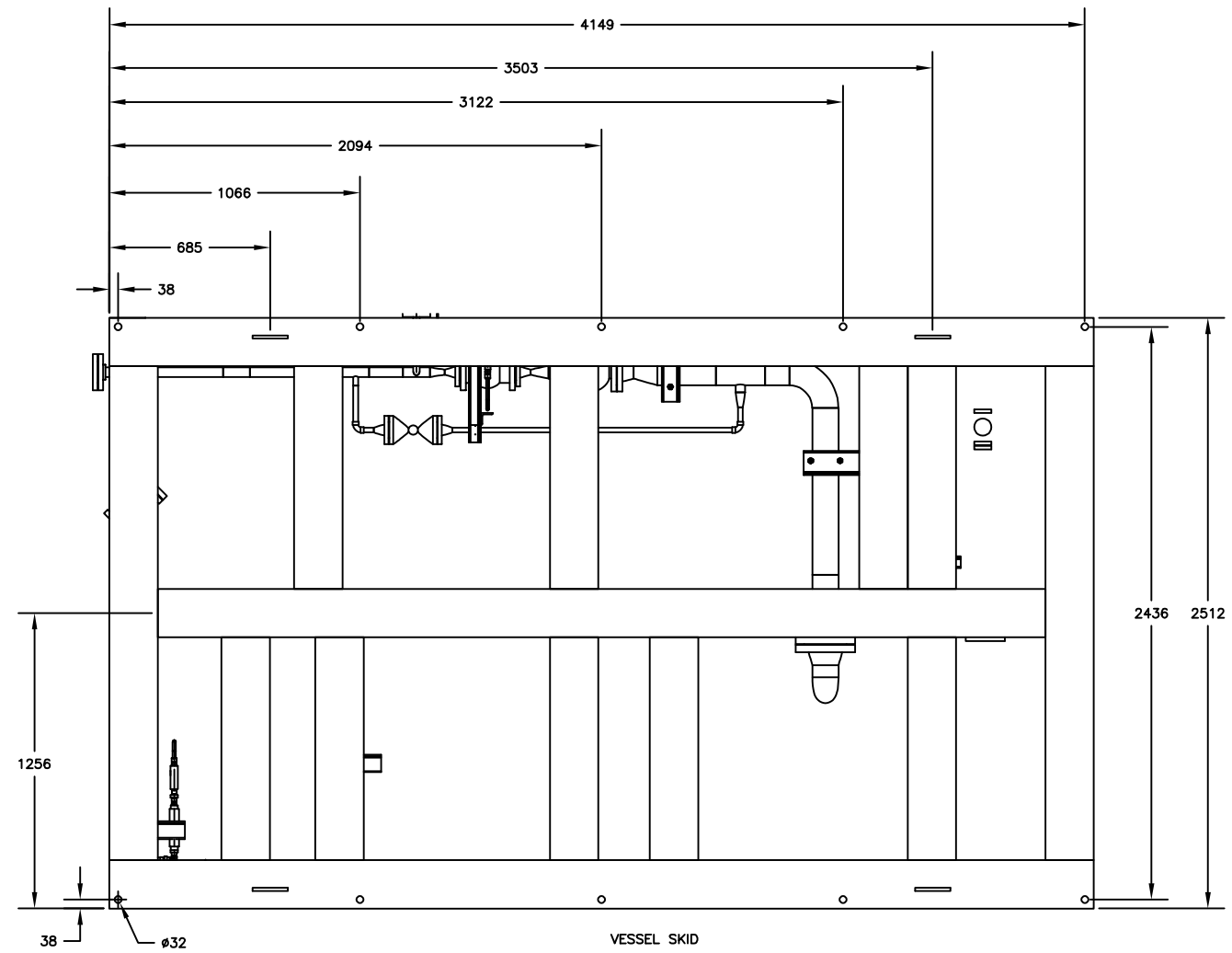
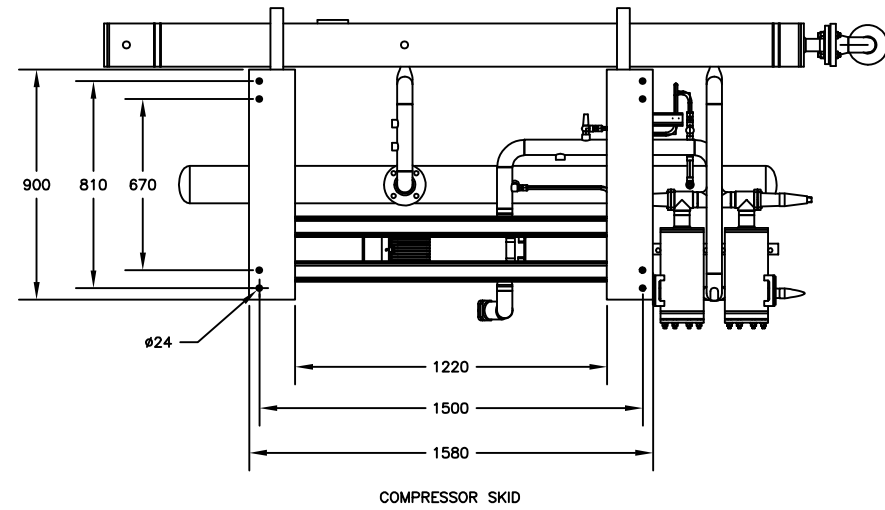


NOTES:

1. FOR ALL APPLICABLE NOTES, PLEASE REFER TO SHEET 1.

REV.	STATUS	DATE	PURPOSE OF ISSUE	PREP.	CHKD.	APPD.	AUTH.
3	F	22.08.24	FOR APPROVAL	AJD	AJD	IES	SES
2	F	22.07.24	FOR APPROVAL	AJD	AJD	IES	SES
1	F	19.07.24	FOR APPROVAL	AJD	AJD	IES	SES
0	F	05.04.24	FOR APPROVAL	AJD	AJD	IES	SES

CLIENT:		ENER TECHNOLOGI					
SERVICE:		PROPANE REFRIGERATION PACKAGE					
LOCATION:		IRAQ					
UNIT TAG NO.:		RU-001 AB					
VENDOR LOGO							
Contract No.	P.O. No.	ENER-MME-2024-100-001				SCALE	
DRAWING TITLE:							
GENERAL ARRANGEMENT DRAWING							
DRAWING NO.		REV.	SHEET No.	SIZE			
MPE007-20011-8		3	8 OF 10	D			



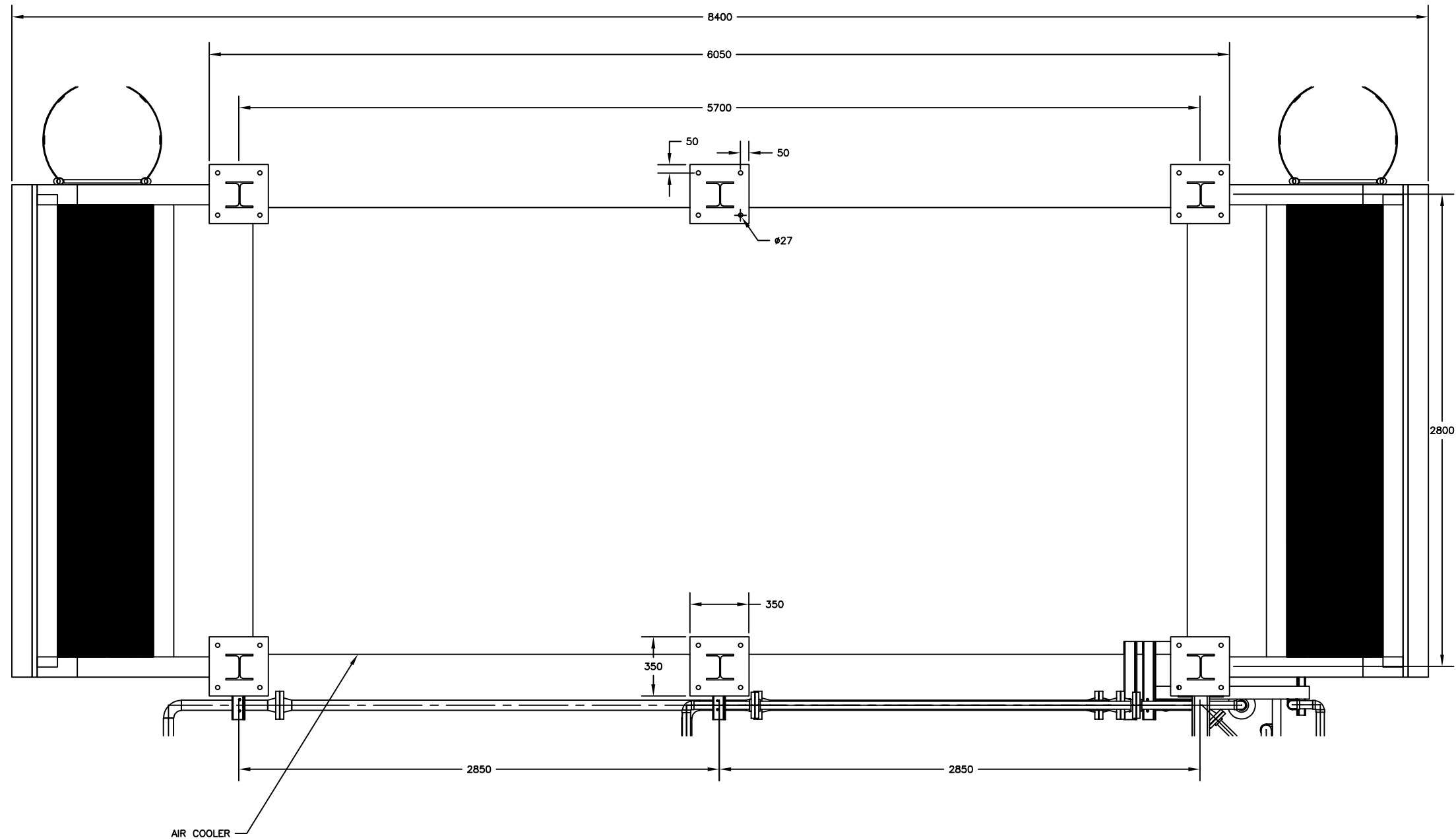
BOTTOM VIEW

NOTES:

1. FOR ALL APPLICABLE NOTES, PLEASE REFER TO SHEET 1.
2. ANCHOR BOLT & LIFTING LUG LOCATION DETAILS ARE SHOWN IN THIS SHEET.

REV.	STATUS	DATE	PURPOSE OF ISSUE	PREP.	CHKD.	APPD.	AUTH.
3	F	22.08.24	FOR APPROVAL	AJD	AJD	IES	SES
2	F	22.07.24	FOR APPROVAL	AJD	AJD	IES	SES
1	F	19.07.24	FOR APPROVAL	AJD	AJD	IES	SES
0	F	05.04.24	FOR APPROVAL	AJD	AJD	IES	SES

CLIENT:		ENER TECHNOLOGI					
SERVICE:		PROPANE REFRIGERATION PACKAGE					
LOCATION:		IRAQ					
UNIT TAG NO.:		RU-001 AB					
VENDOR LOGO							
Contract No.	P.O. No.	ENER-MME-2024-100-001				SCALE	
DRAWING TITLE:							
GENERAL ARRANGEMENT DRAWING							
DRAWING NO.		REV.	SHEET No.	SIZE			
MPE007-20011-9		3	9 OF 10	D			



BOTTOM VIEW

NOTES:

1. FOR ALL APPLICABLE NOTES, PLEASE REFER TO SHEET 1.
2. ANCHOR BOLT LOCATION DETAILS ARE SHOWN IN THIS SHEET.

REV.	STATUS	DATE	PURPOSE OF ISSUE	PREP.	CHKD.	APPD.	AUTH.
3	F	22.08.24	FOR APPROVAL	AJD	AJD	IES	SES
2	F	22.07.24	FOR APPROVAL	AJD	AJD	IES	SES
1	F	19.07.24	FOR APPROVAL	AJD	AJD	IES	SES
0	F	05.04.24	FOR APPROVAL	AJD	AJD	IES	SES

CLIENT:	ENER TECHNOLOGI
SERVICE:	PROPANE REFRIGERATION PACKAGE
LOCATION:	IRAQ
UNIT TAG NO.:	RU-001 AB

VENDOR LOGO	
-------------	--

Contract No.	P.O. No.	ENER-MME-2024-100-001	SCALE
--------------	----------	-----------------------	-------

DRAWING TITLE:			
GENERAL ARRANGEMENT DRAWING			

DRAWING NO.	REV.	SHEET No.	SIZE
MPE007-20011-10	3	10 OF 10	D