

CONNECTION LIST

NO.	LOCATION	DESCRIPTION	SIZE
T-1	VESSEL SKID	CHILLER INLET	3"-150 ANSI RF
T-2	VESSEL SKID	CHILLER OUTLET	3"-150 ANSI RF
T-3	VESSEL SKID	FILTER DRYER INLET	1" ← 300 ANSI RF
T-4	COMPRESSOR SKID	OIL SEPARATOR PSV	1 1/2"-300 ANSI RF
T-5	VESSEL SKID	CONDENSER PSV	2" ← 300 ANSI RF
T-6	VESSEL SKID	CHILLER PSV	3" ← 300 ANSI RF
T-7	VESSEL SKID	INSTRUMENT AIR SUPPLY	1/2"-150 ANSI RF

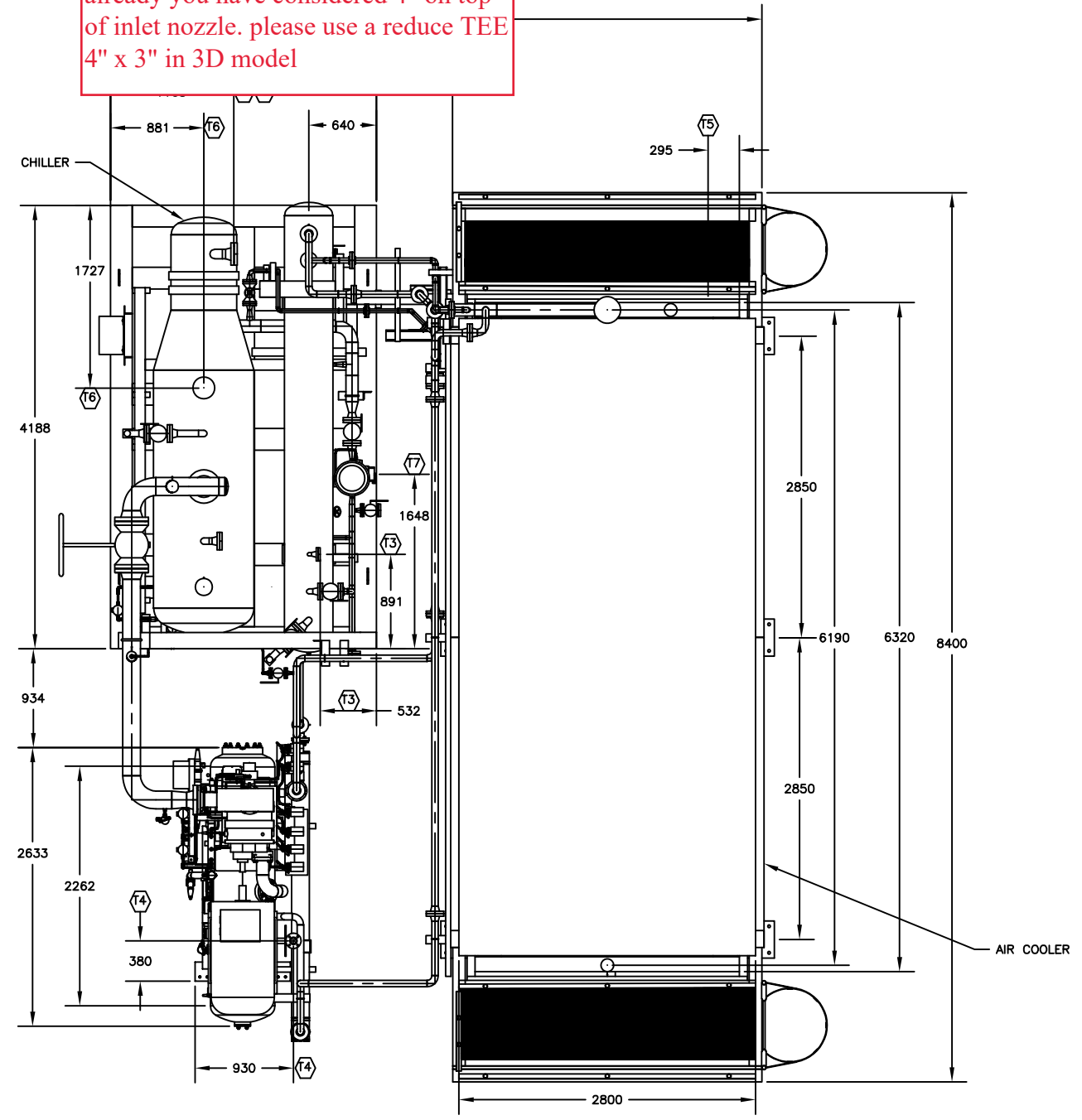
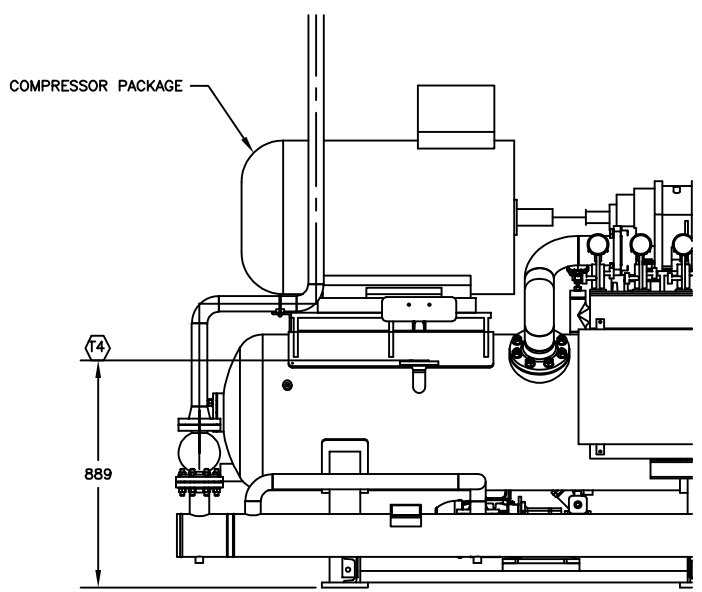
WEIGHT	
CONDENSER	5600 KG

NOTES:
 ALL DIMENSIONS ARE IN MM.
 FOR SKID INSTALLATION, REFER TO INSTRUCTION AND OPERATIONAL MANUAL.
 ANCHOR HOLES TOLERANCES ± 0.13 in (± 3.2 mm).
 CUSTOMER CONNECTION TOLERANCES: ± 1.00 in (± 25.4 mm).
 FLANGES ARE PER ANSI STD PER ASME B16.5.
 NON-SKID GRATING UNDER MAINTENANCE AREA IS NOT INCLUDED.
 PERSONAL PROTECTION, HEAT AND COLD CONSERVATION HEAT TRACING IS BY OTHER.

Please check 3D model. it is not match with PID and this Tie in point.
 1- Line size is 1.5" in 3D model
 2- Check Valve RBL-RU0001A04 has not been modeled
 3- Ball Valve RBL-RU0001A03 has not been modeled

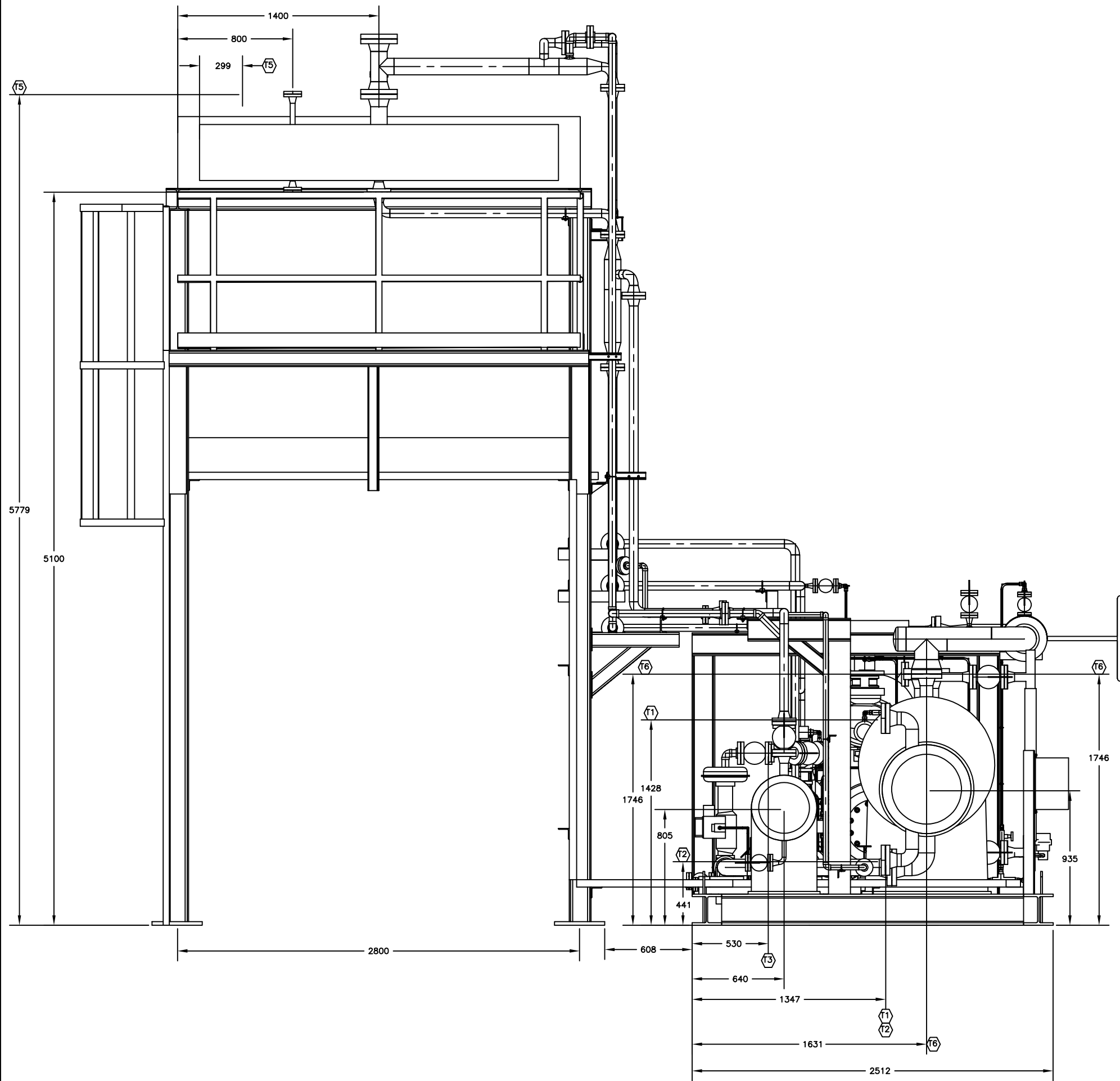
Please specify North Direction. for plant north direction please refer to provided layout previously.

3". please update 3D model also. already you have considered 4" on top of inlet nozzle. please use a reduce TEE 4" x 3" in 3D model



REV.	STATUS	DATE	PURPOSE OF ISSUE	PREP.	CHKD.	APPD.	AUTH.
4	F	16.09.24	FOR APPROVAL	AJD	AJD	IES	SES
3	F	22.08.24	FOR APPROVAL	AJD	AJD	IES	SES
2	F	22.07.24	FOR APPROVAL	AJD	AJD	IES	SES
1	F	19.07.24	FOR APPROVAL	AJD	AJD	IES	SES
0	F	05.04.24	FOR APPROVAL	AJD	AJD	IES	SES

CLIENT:	ENER TECHNOLOGI
SERVICE:	PROPANE REFRIGERATION PACKAGE
LOCATION:	IRAQ
UNIT TAG NO.:	RU-0001 AB
VENDOR LOGO	
Contract No.	P.O. No. ENER-MME-2024-100-001
SCALE	
DRAWING TITLE: GENERAL ARRANGEMENT DRAWING	
DRAWING NO. MPE007-20011-1	REV. SHEET No. SIZE 4 1 OF 10 D

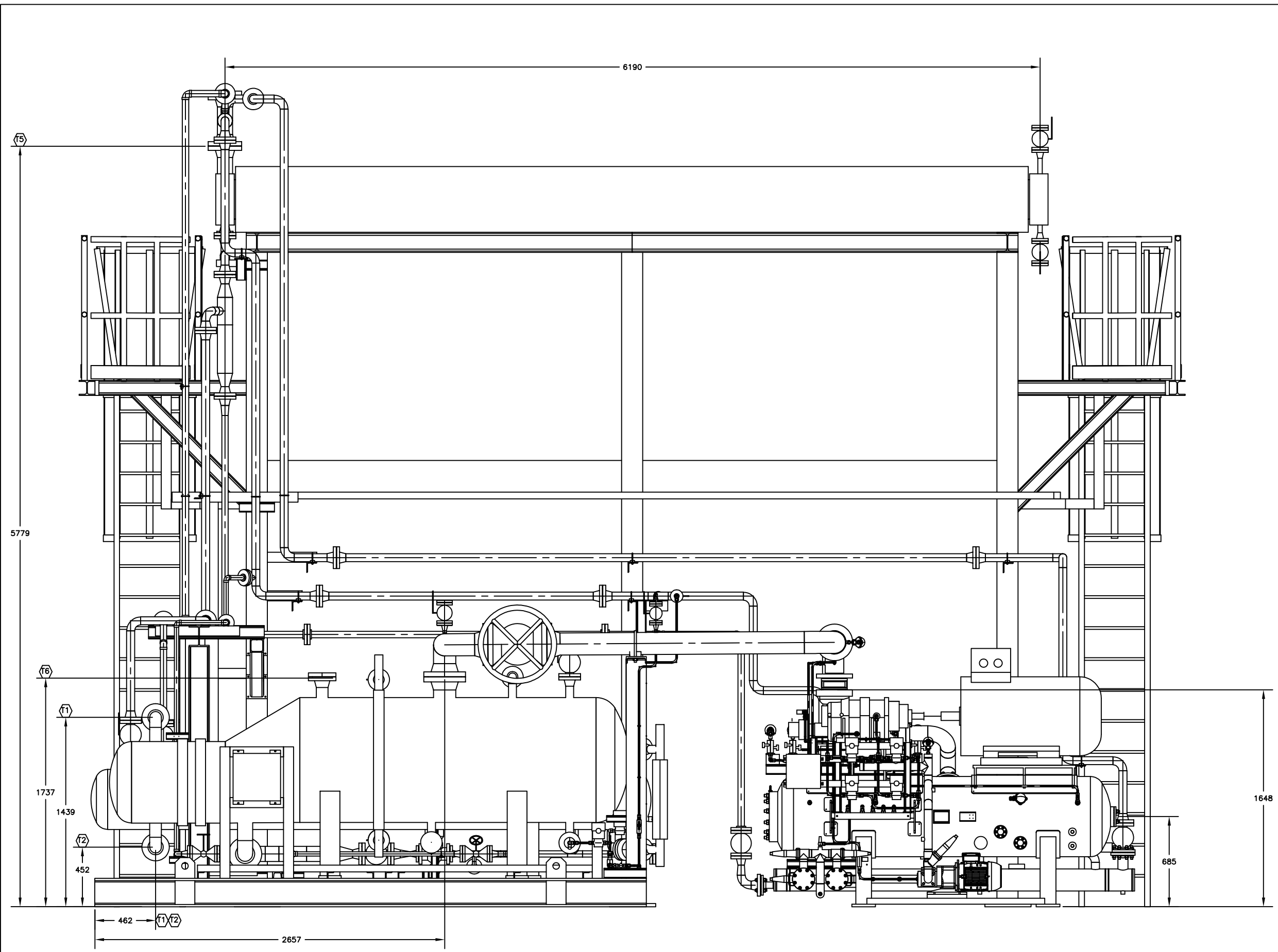


NOTES:

1. FOR ALL APPLICABLE NOTES, PLEASE REFER TO SHEET 1.

REV.	STATUS	DATE	PURPOSE OF ISSUE	PREP.	CHKD.	APPD.	AUTH.
4	F	16.09.24	FOR APPROVAL	AJD	AJD	IES	SES
3	F	22.08.24	FOR APPROVAL	AJD	AJD	IES	SES
2	F	22.07.24	FOR APPROVAL	AJD	AJD	IES	SES
1	F	19.07.24	FOR APPROVAL	AJD	AJD	IES	SES
0	F	05.04.24	FOR APPROVAL	AJD	AJD	IES	SES

CLIENT:		ENER TECHNOLOGI					
SERVICE:		PROPANE REFRIGERATION PACKAGE					
LOCATION:		IRAQ					
UNIT TAG NO.:		RU-001 AB					
VENDOR LOGO							
Contract No.	P.O. No.	ENER-MME-2024-100-001				SCALE	
DRAWING TITLE:							
GENERAL ARRANGEMENT DRAWING							
DRAWING NO.		REV.	SHEET No.	SIZE			
MPE007-20011-2		4	2 OF 10	D			

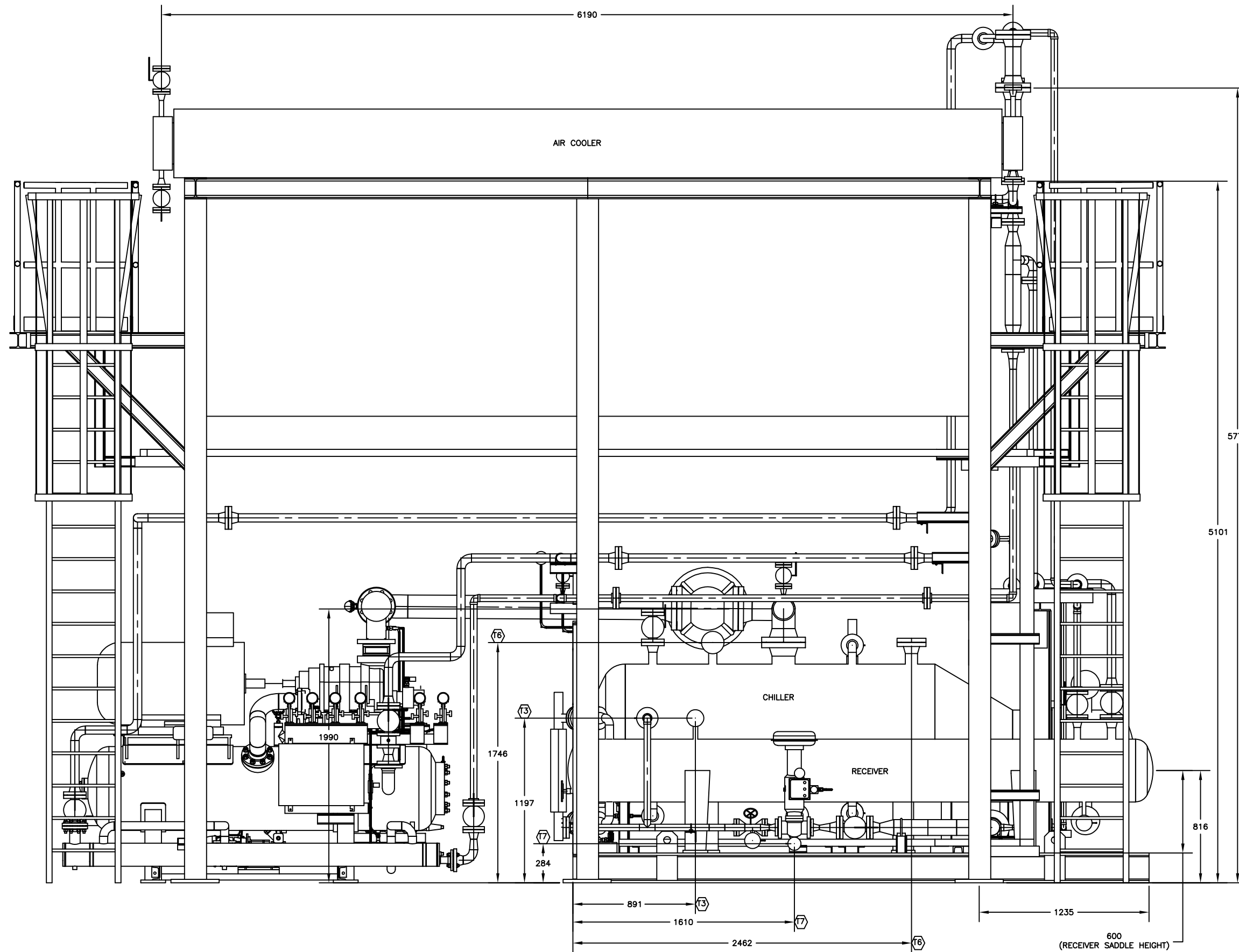


NOTES:
 1. FOR ALL APPLICABLE NOTES, PLEASE REFER TO SHEET 1.

REV.	STATUS	DATE	PURPOSE OF ISSUE	PREP.	CHKD.	APPD.	AUTH.
4	F	16.09.24	FOR APPROVAL	AJD	AJD	IES	SES
3	F	22.08.24	FOR APPROVAL	AJD	AJD	IES	SES
2	F	22.07.24	FOR APPROVAL	AJD	AJD	IES	SES
1	F	19.07.24	FOR APPROVAL	AJD	AJD	IES	SES
0	F	05.04.24	FOR APPROVAL	AJD	AJD	IES	SES

CLIENT:	ENER TECHNOLOG
SERVICE:	PROPANE REFRIGERATION PACKAGE
LOCATION:	IRAG
UNIT TAG NO.:	RU-001 AB
VENDOR LOGO	
Contract No.	P.O. No. ENER-MME-2024-100-001
SCALE	
DRAWING TITLE: GENERAL ARRANGEMENT DRAWING	
DRAWING NO. MPE007-20011-3	REV. SHEET No. SIZE 4 3 OF 10 D

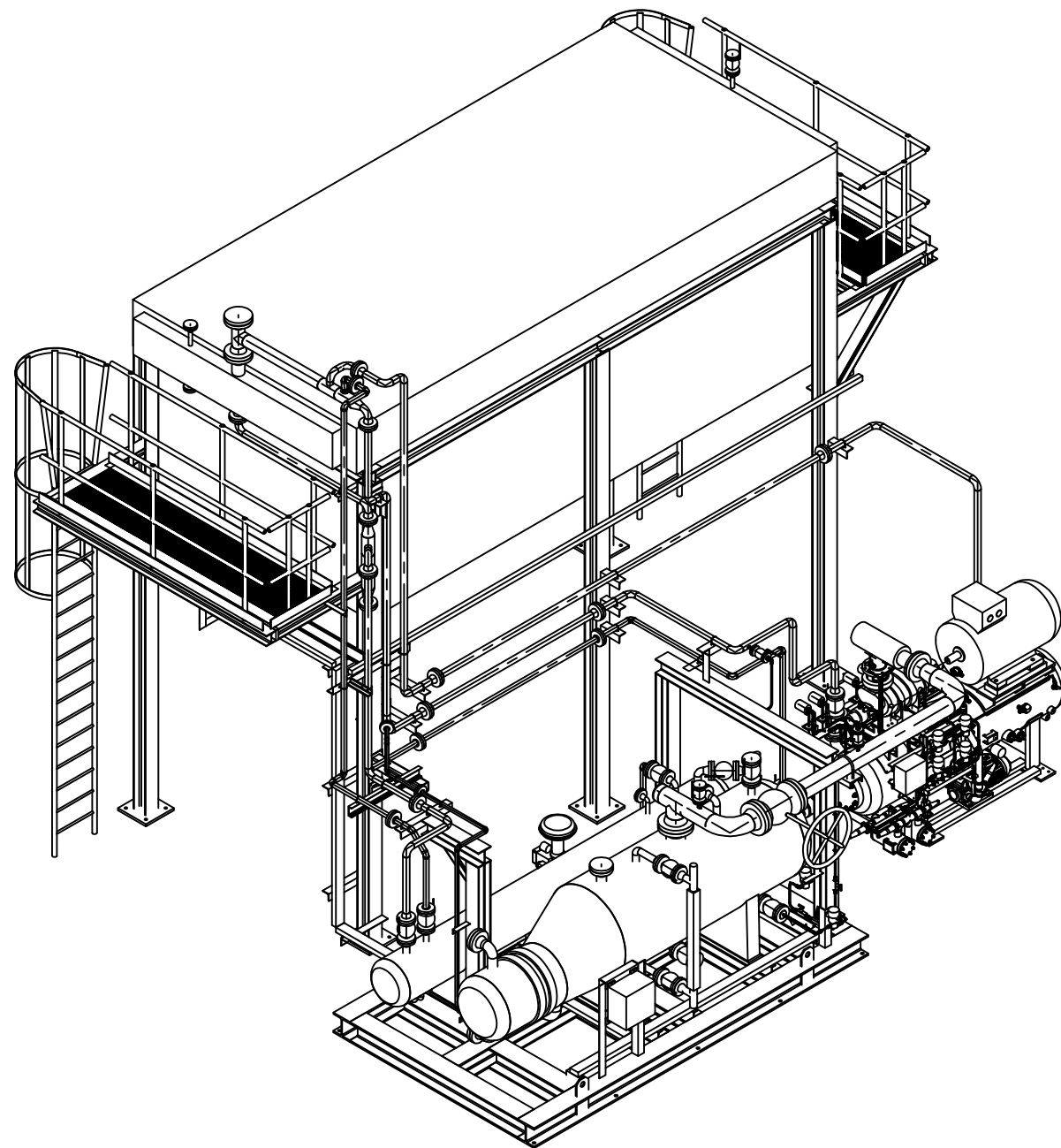
NOTES:
 1. FOR ALL APPLICABLE NOTES, PLEASE REFER TO SHEET 1.



REV.	STATUS	DATE	PURPOSE OF ISSUE	PREP.	CHKD.	APPD.	AUTH.
4	F	16.09.24	FOR APPROVAL	AJD	AJD	IES	SES
3	F	22.08.24	FOR APPROVAL	AJD	AJD	IES	SES
2	F	22.07.24	FOR APPROVAL	AJD	AJD	IES	SES
1	F	19.07.24	FOR APPROVAL	AJD	AJD	IES	SES
0	F	05.04.24	FOR APPROVAL	AJD	AJD	IES	SES

CLIENT: ENER TECHNOLOGI		PROPRANE REFRIGERATION PACKAGE	
SERVICE: IRAG		RU-001 AB	
LOCATION: UNIT TAG NO.:			
VENDOR LOGO			
Contract No.	P.O. No.	ENER-MME-2024-100-001	SCALE
DRAWING TITLE: GENERAL ARRANGEMENT DRAWING			
DRAWING NO. MPE007-20011-4	REV. 4	SHEET No. 4 OF 10	SIZE D

Z:\16. ENGINEERING_Chemical Group\04. Project\12. MPE007_Delta GmbH_Refrigeration Package\CAD\PLANT 3D\01 Aug' 24\Orthos\DWGs\20011-4.dwg



NOTES:

1. FOR ALL APPLICABLE NOTES, PLEASE REFER TO SHEET 1.

4	F	16.09.24	FOR APPROVAL	AJD	AJD	IES	SES
3	F	22.08.24	FOR APPROVAL	AJD	AJD	IES	SES
2	F	22.07.24	FOR APPROVAL	AJD	AJD	IES	SES
1	F	19.07.24	FOR APPROVAL	AJD	AJD	IES	SES
0	F	05.04.24	FOR APPROVAL	AJD	AJD	IES	SES

REV.	STATUS	DATE	PURPOSE OF ISSUE	PREP.	CHKD.	APPD.	AUTH.
------	--------	------	------------------	-------	-------	-------	-------

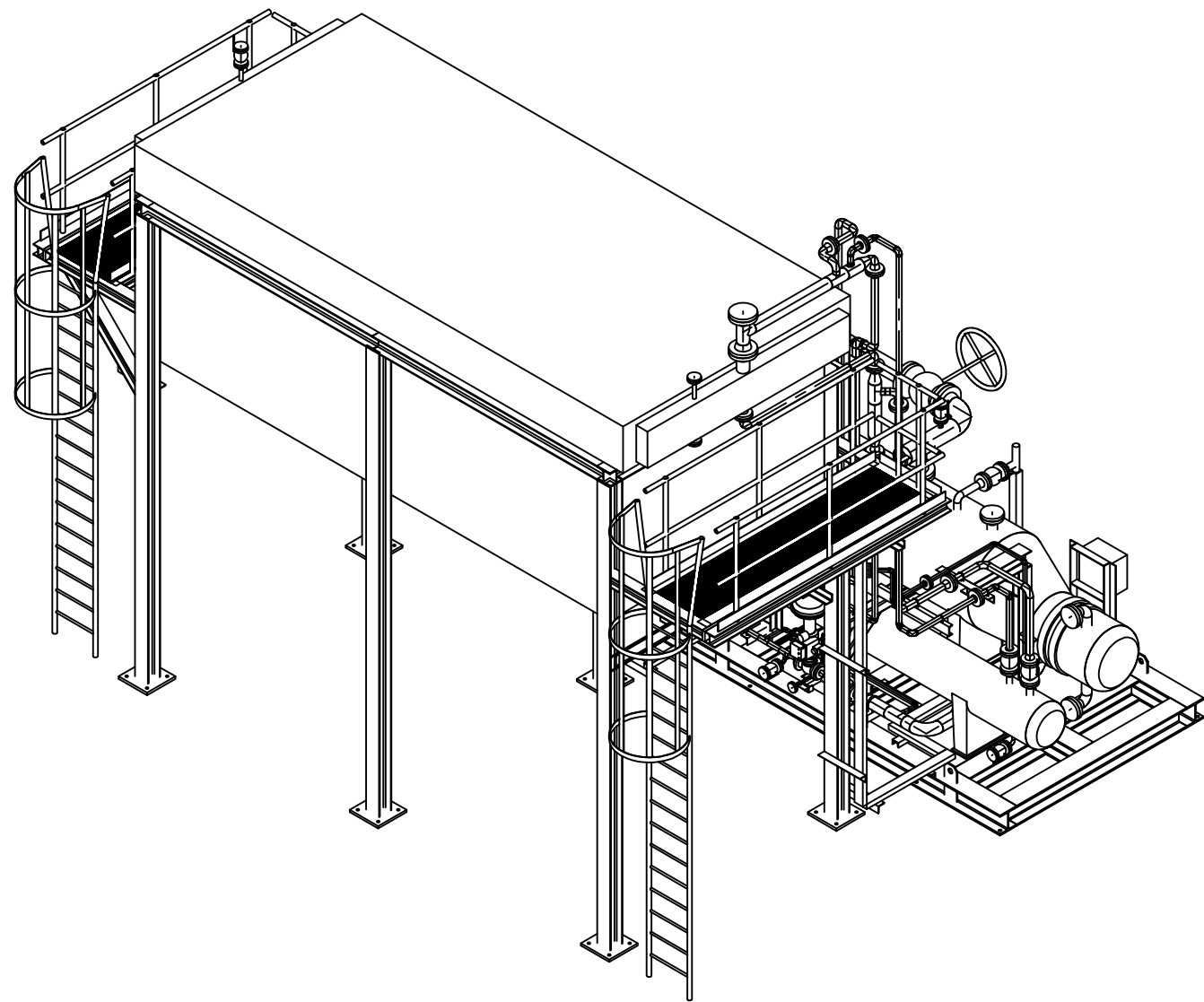
CLIENT:	ENER TECHNOLOGI
SERVICE:	PROPANE REFRIGERATION PACKAGE
LOCATION:	IRAG
UNIT TAG NO.:	RU-001 AB

VENDOR LOGO	
-------------	--

Contract No.	P.O. No.	ENER-MME-2024-100-001	SCALE
--------------	----------	-----------------------	-------

DRAWING TITLE:
GENERAL ARRANGEMENT DRAWING

DRAWING NO.	REV.	SHEET No.	SIZE
MPE007-20011-5	4	5 OF 10	D

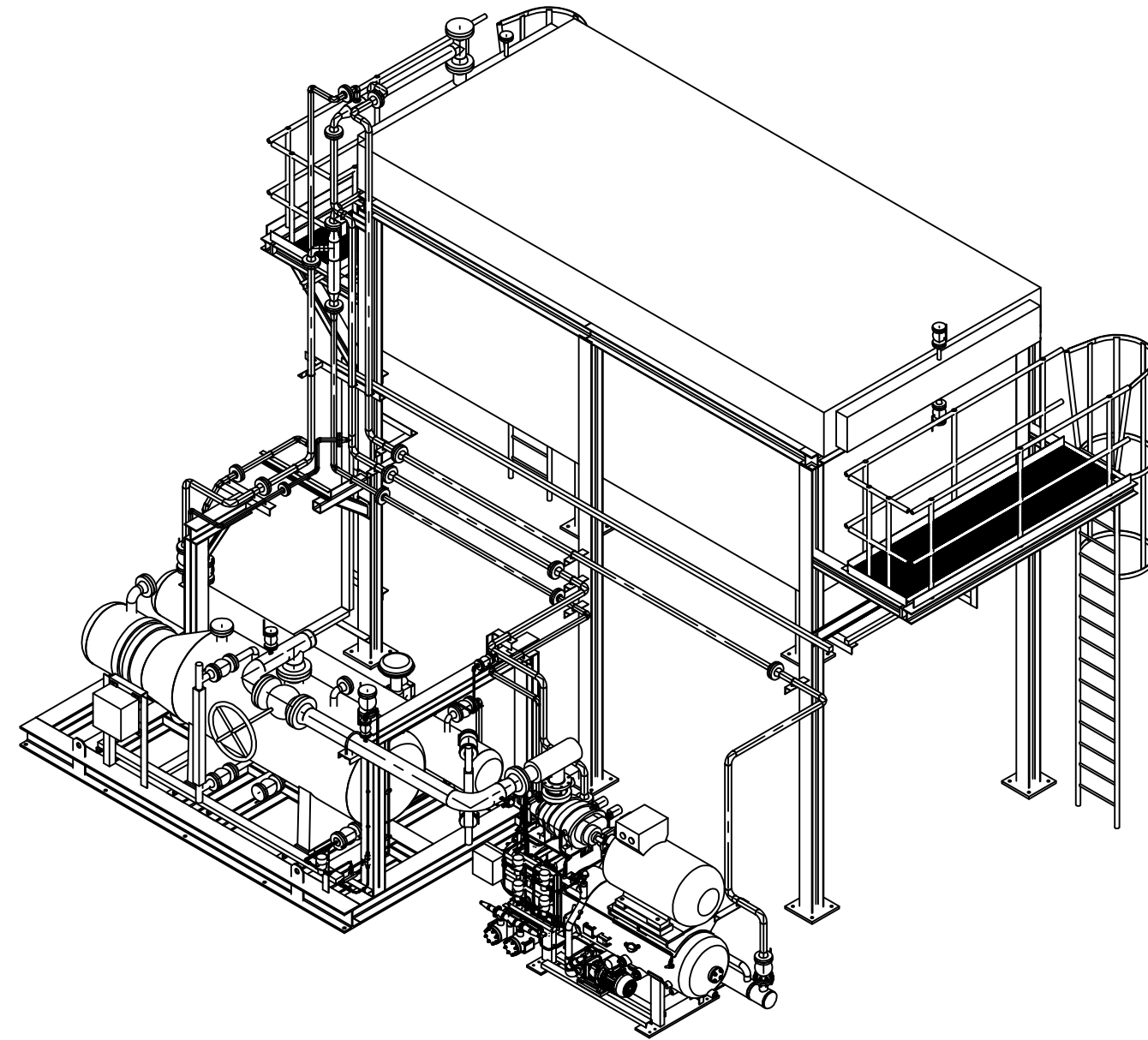


NOTES:

1. FOR ALL APPLICABLE NOTES, PLEASE REFER TO SHEET 1.

REV.	STATUS	DATE	PURPOSE OF ISSUE	PREP.	CHKD.	APPD.	AUTH.
4	F	16.09.24	FOR APPROVAL	AJD	AJD	IES	SES
3	F	22.08.24	FOR APPROVAL	AJD	AJD	IES	SES
2	F	22.07.24	FOR APPROVAL	AJD	AJD	IES	SES
1	F	19.07.24	FOR APPROVAL	AJD	AJD	IES	SES
0	F	05.04.24	FOR APPROVAL	AJD	AJD	IES	SES

CLIENT: SERVICE: LOCATION: UNIT TAG NO.:		ENER TECHNOLOGI PROPANE REFRIGERATION PACKAGE IRAG RU-001 AB					
VENDOR LOGO							
Contract No.	P.O. No.	ENER-MME-2024-100-001		SCALE			
DRAWING TITLE: GENERAL ARRANGEMENT DRAWING							
DRAWING NO. MPE007-20011-6		REV.	SHEET No.	SIZE			
		4	6 OF 10	D			



NOTES:
 1. FOR ALL APPLICABLE NOTES, PLEASE REFER TO SHEET 1.

4	F	16.09.24	FOR APPROVAL	AJD	AJD	IES	SES
3	F	22.08.24	FOR APPROVAL	AJD	AJD	IES	SES
2	F	22.07.24	FOR APPROVAL	AJD	AJD	IES	SES
1	F	19.07.24	FOR APPROVAL	AJD	AJD	IES	SES
0	F	05.04.24	FOR APPROVAL	AJD	AJD	IES	SES

REV.	STATUS	DATE	PURPOSE OF ISSUE	PREP.	CHKD.	APPD.	AUTH.
------	--------	------	------------------	-------	-------	-------	-------

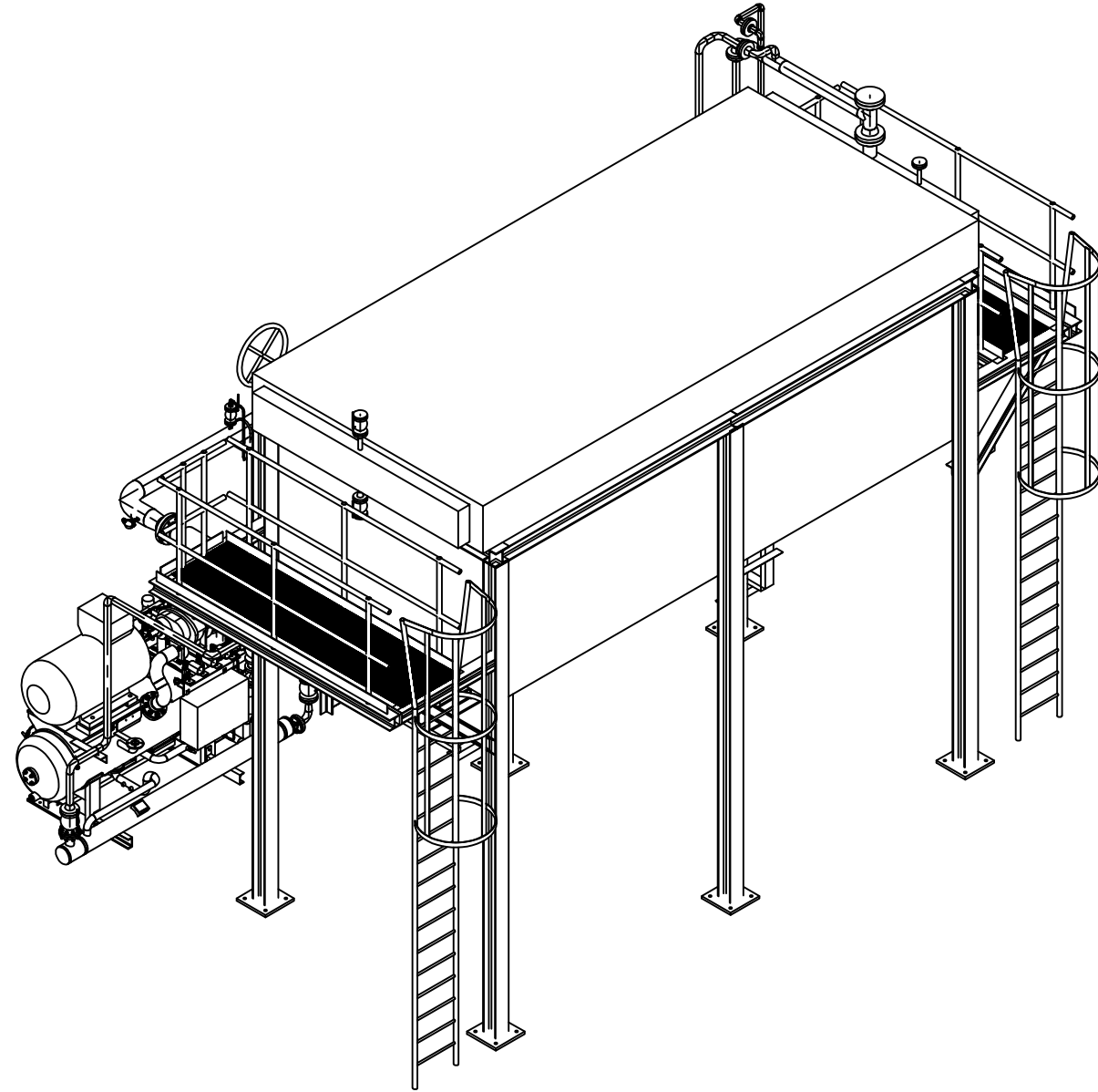
CLIENT: SERVICE: LOCATION: UNIT TAG NO.:	ENER TECHNOLOGI PROPANE REFRIGERATION PACKAGE IRAQ RU-001 AB
---	---

VENDOR LOGO	
-------------	--

Contract No.	P.O. No.	ENER-MME-2024-100-001	SCALE
--------------	----------	-----------------------	-------

DRAWING TITLE:
 GENERAL ARRANGEMENT DRAWING

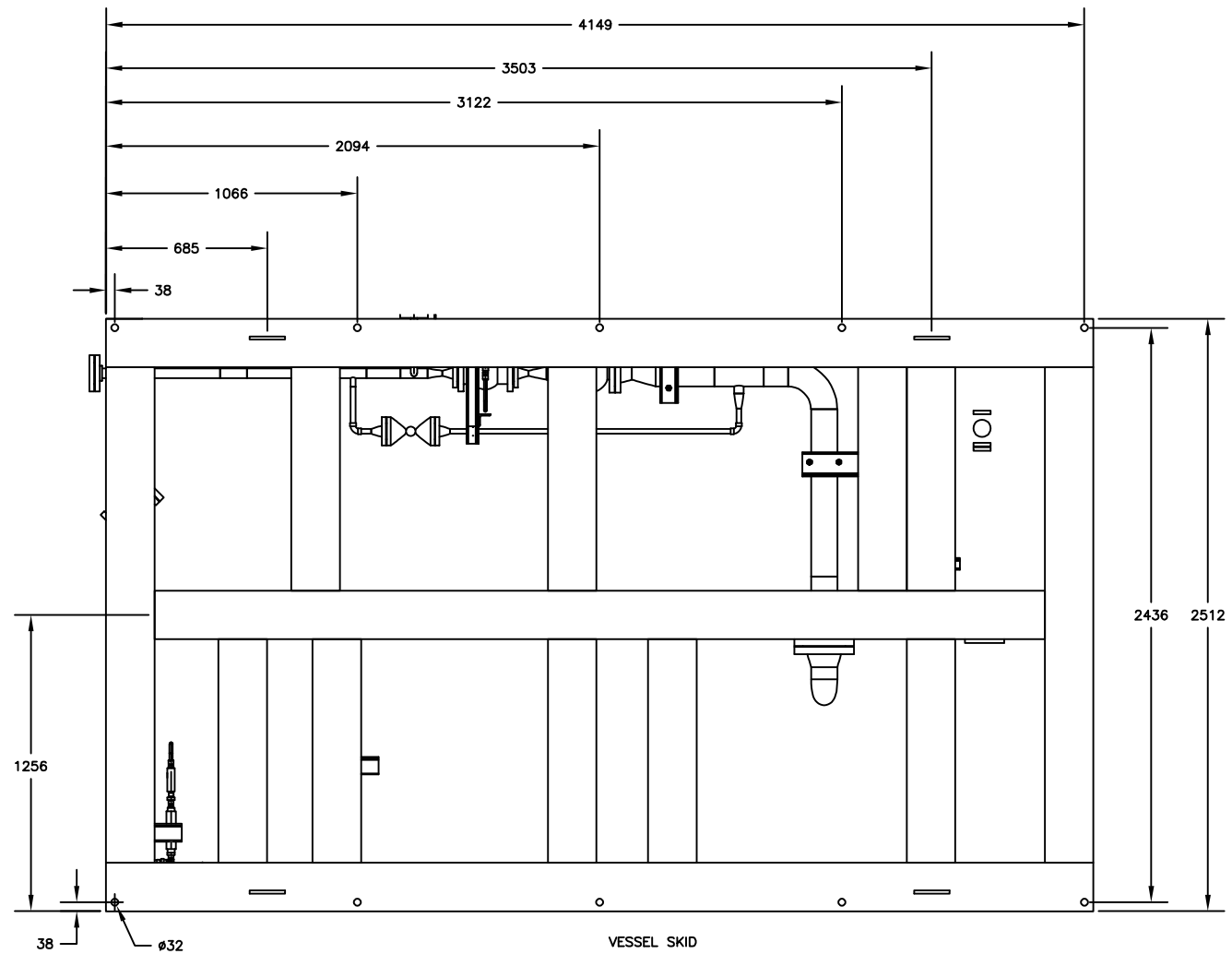
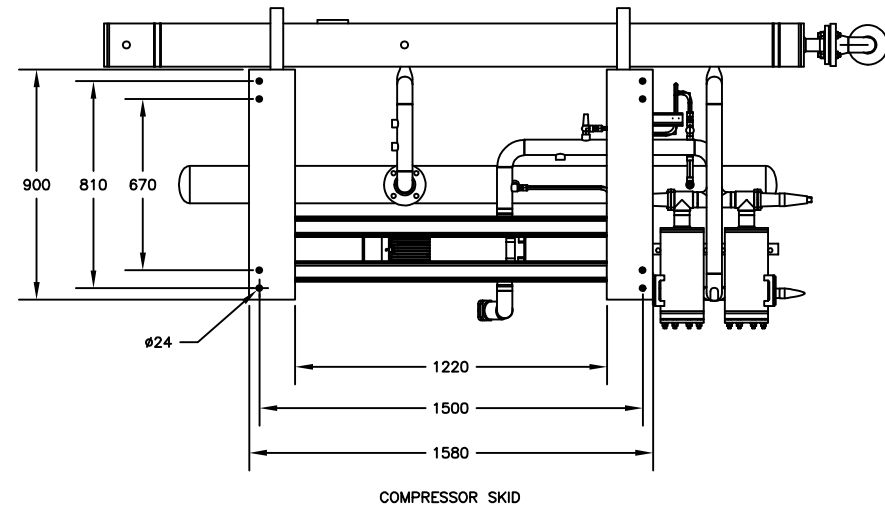
DRAWING NO. MPE007-20011-7	REV. 4	SHEET No. 7 OF 10	SIZE D
-------------------------------	-----------	----------------------	-----------



NOTES:
 1. FOR ALL APPLICABLE NOTES, PLEASE REFER TO SHEET 1.

REV.	STATUS	DATE	PURPOSE OF ISSUE	PREP.	CHKD.	APPD.	AUTH.
4	F	16.09.24	FOR APPROVAL	AJD	AJD	IES	SES
3	F	22.08.24	FOR APPROVAL	AJD	AJD	IES	SES
2	F	22.07.24	FOR APPROVAL	AJD	AJD	IES	SES
1	F	19.07.24	FOR APPROVAL	AJD	AJD	IES	SES
0	F	05.04.24	FOR APPROVAL	AJD	AJD	IES	SES

CLIENT:		ENER TECHNOLOGI					
SERVICE:		PROPANE REFRIGERATION PACKAGE					
LOCATION:		IRAQ					
UNIT TAG NO.:		RU-001 AB					
VENDOR LOGO							
Contract No.	P.O. No.	ENER-MME-2024-100-001				SCALE	
DRAWING TITLE: GENERAL ARRANGEMENT DRAWING							
DRAWING NO. MPE007-20011-8		REV.	SHEET No.	SIZE			
		4	8 OF 10	D			

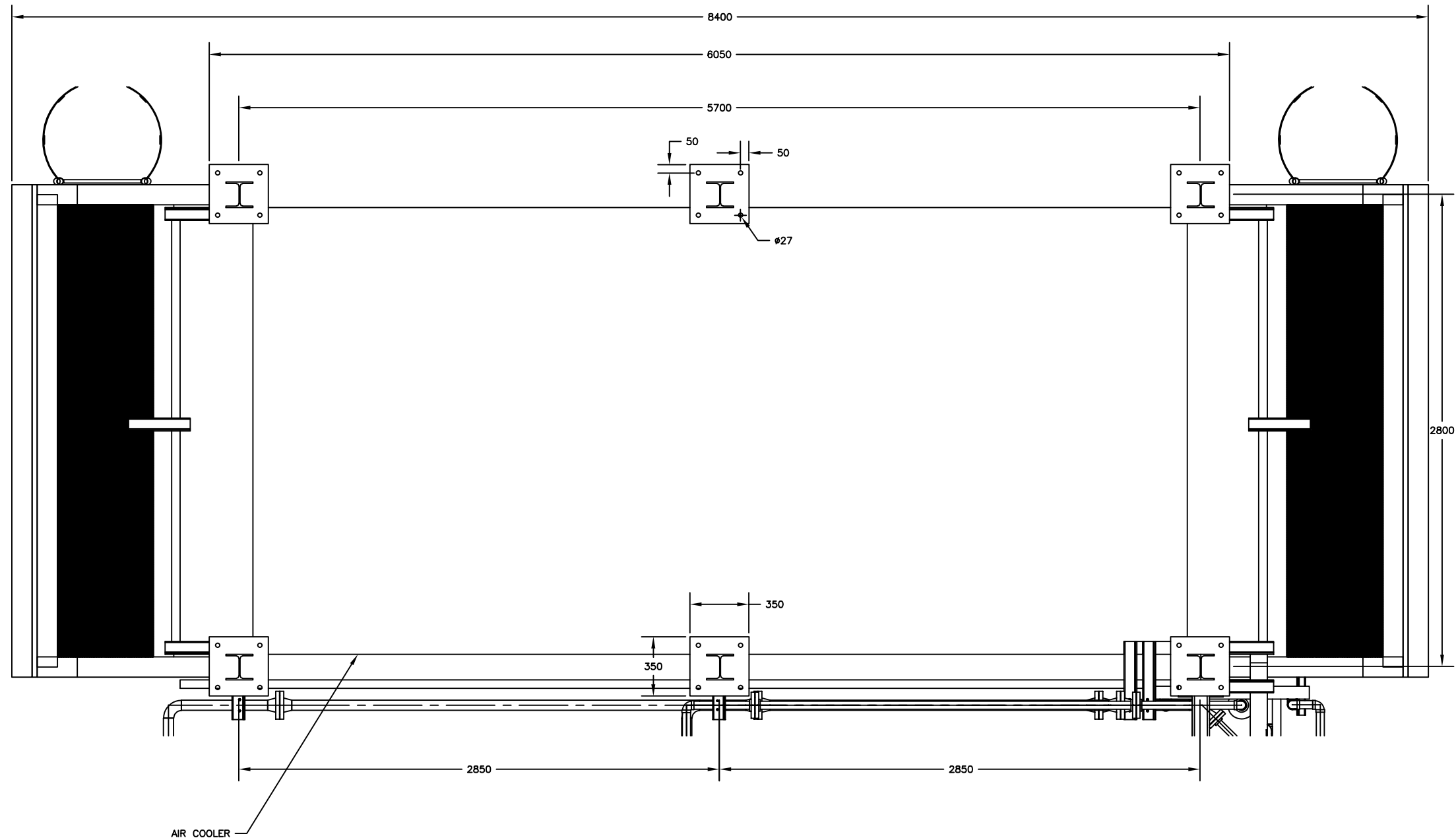


BOTTOM VIEW

- NOTES:
1. FOR ALL APPLICABLE NOTES, PLEASE REFER TO SHEET 1.
 2. ANCHOR BOLT & LIFTING LUG LOCATION DETAILS ARE SHOWN IN THIS SHEET.

REV.	STATUS	DATE	PURPOSE OF ISSUE	PREP.	CHKD.	APPD.	AUTH.
4	F	16.09.24	FOR APPROVAL	AJD	AJD	IES	SES
3	F	22.08.24	FOR APPROVAL	AJD	AJD	IES	SES
2	F	22.07.24	FOR APPROVAL	AJD	AJD	IES	SES
1	F	19.07.24	FOR APPROVAL	AJD	AJD	IES	SES
0	F	05.04.24	FOR APPROVAL	AJD	AJD	IES	SES

CLIENT: SERVICE: LOCATION: UNIT TAG NO.:		ENER TECHNOLOGI PROPANE REFRIGERATION PACKAGE IRAQ RU-001 AB					
VENDOR LOGO							
Contract No.	P.O. No.	ENER-MME-2024-100-001		SCALE			
DRAWING TITLE: GENERAL ARRANGEMENT DRAWING							
DRAWING NO. MPE007-20011-9		REV.	SHEET No.	SIZE			
		4	9 OF 10	D			



BOTTOM VIEW

NOTES:

1. FOR ALL APPLICABLE NOTES, PLEASE REFER TO SHEET 1.
2. ANCHOR BOLT LOCATION DETAILS ARE SHOWN IN THIS SHEET.

REV.	STATUS	DATE	PURPOSE OF ISSUE	PREP.	CHKD.	APPD.	AUTH.
4	F	16.09.24	FOR APPROVAL	AJD	AJD	IES	SES
3	F	22.08.24	FOR APPROVAL	AJD	AJD	IES	SES
2	F	22.07.24	FOR APPROVAL	AJD	AJD	IES	SES
1	F	19.07.24	FOR APPROVAL	AJD	AJD	IES	SES
0	F	05.04.24	FOR APPROVAL	AJD	AJD	IES	SES

CLIENT: SERVICE: LOCATION: UNIT TAG NO.:		ENER TECHNOLOGI PROPANE REFRIGERATION PACKAGE IRAQ RU-001 AB					
VENDOR LOGO							
Contract No.	P.O. No.	ENER-MME-2024-100-001			SCALE		
DRAWING TITLE: GENERAL ARRANGEMENT DRAWING							
DRAWING NO. MPE007-20011-10		REV.	SHEET No.	SIZE			
		4	10 OF 10	D			