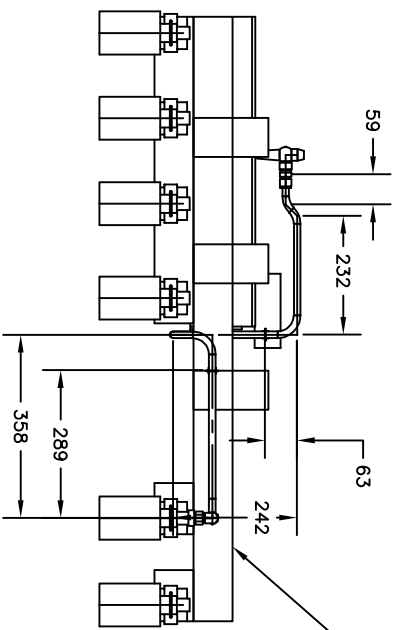
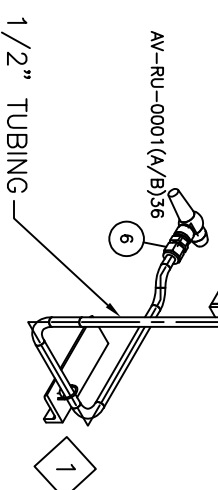
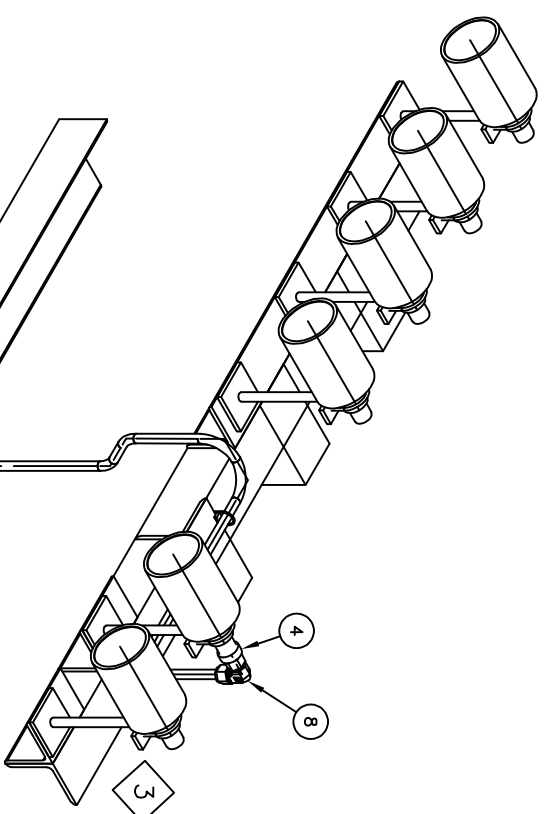


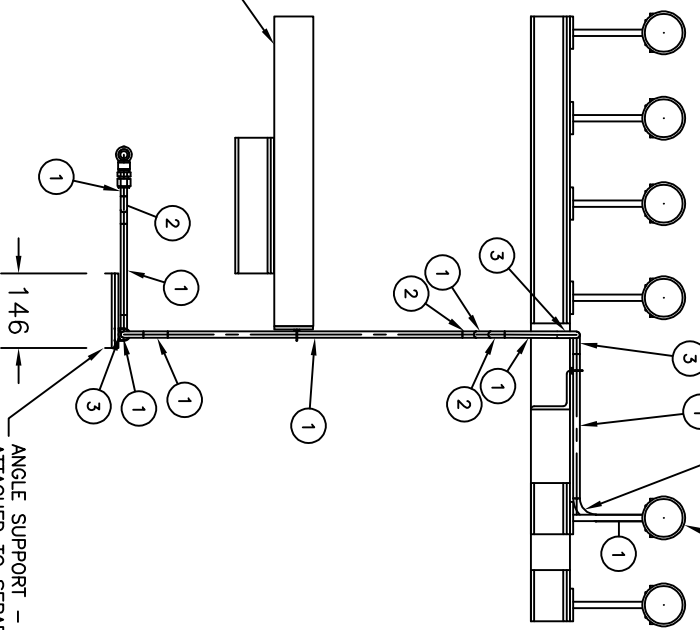
ID	QTY	SCH/CLASS	DESCRIPTION
1	2030 MM		TUBING, ASTM A269, SEAMLESS - 316SS
2			BEND 45 SR, TUBING, ASTM A269, 316SS
3			BEND 90 SR, TUBING, ASTM A269, 316SS
4			MaleSub1/2NPT(M) x 1/2" Tube
5			PRESSURE TRANSMITTER 1/2" NPT(F)
6			Male Connector 3/8 NPT x 1/2 T
7			ANGLE VALVE 3/8" NPT(M) x 3/8" NPT(F)
8			Female Union Elbow 1/2" T x 1/2" T
9			U-clamp



FOR DETAILED DWG. OF SUPPORT DRAWING  
PLEASE REFER, DWG# MPE007-RU0001A-SPRT

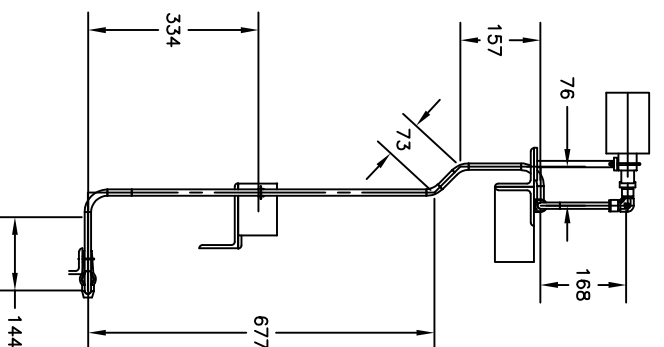


PIT-RU0001A-06



ANGLE SUPPORT - 2 X 2 X 1/4  
ATTACHED TO SEPARATOR SADDLE

FOR DETAILED DWG. OF SUPPORT PLEASE  
REFER, DWG# MPE007-JB-SPRT-01



- NOTES:
- ALL TAGS ARE LABELED AS FOLLOWS:  
PIT-RU0001(A/B)-01 WHERE 'A' STANDS FOR UNIT 1 &  
'B' STANDS FOR UNIT 2.  
FOR EXAMPLE: FOR UNIT 1  
- PIT-RU0001A-01 FOR UNIT 2

REV.	STATUS	DATE	PURPOSE OF ISSUE	PREP.	CHKD.	APPD.	AUTH.
0	F	16.08.24	FOR APPROVAL	AJD	AJD	IES	SES

SCALE

DRAWING TITLE:  
PIT-RU0001(A/B)-06 HOOKUP DRAWING

DRAWING NO.  
MPE007-PIT-RU0001(A/B)-06

REV. SHEET No. SIZE  
0 1 OF 1 D