



Toase-eh Park Sanati Gohar Ofogh
Petrochemical Co.
**CONCEPTUAL, BASIC and DETAIL DESIGN
ENGINEERING OF STYRENE PARK OFFSITE**



Document Title: Oil Heater Data Sheet and Drawing

Document No.: EI027-HSE-VD – ME– DWG– 003- R0

Rev. R0

Page 1 of 4

STYRENE PARK OFFSITE

Document Title:
Oil Heater Data Sheet and Drawing

R0	20-07-2024	IFA	F.sh	M.O	A.M
Rev.	Issued Date	DESCRIPTION	PREPARED	CHECKED	APPROVED



Toase-eh Park Sanati Gohar Ofogh
Petrochemical Co.
**CONCEPTUAL, BASIC and DETAIL DESIGN
ENGINEERING OF STYRENE PARK OFFSITE**



Document Title: Oil Heater Data Sheet and Drawing

Document No.: EI027-HSE-VD – ME– DWG– 003- R0

Rev. R0

Page 2 of 4

REVISION RECORD SHEET

Page Page	Revisions							Page	Revisions						
	R0	R1	R2	R3	R4	R5	R6		R0	R1	R2	R3	R4	R5	R6
1	X							41							
2	X							42							
3	X							43							
4	X							44							
5								45							
6								46							
7								47							
8								48							
9								49							
10								50							
11								51							
12								52							
13								53							
14								54							
15								55							
16								56							
17								57							
18								58							
19								59							
20								60							
21								61							
22								62							
23								63							
24								64							
25								65							
26								66							
27								67							
28								68							
29								69							
30								70							
31								71							
32								72							
33								73							
34								74							
35								75							
36								76							
37								77							
38								78							
39								79							
40								80							



Quantity:	2
Subject:	Screw connection heater
Heater Item:	30 - OIL HEATER
Power:	2 kW
N° stages:	1 of 2 kW
Voltage:	400V / 3 Ph
Electric connection:	Star
Screw connection:	1½" NPT
Flange material:	St.St. 304
Heating elements:	Active: 3
	Spare: 0
	Sheath Material: SA 249 TP304L
	Diameter: 8,5 mm
	Neutral: 120 mm
Immersed length:	Heating: 600 mm
	Total: 720 mm
Watt density:	2,08 W/cm ²
Heater terminal box:	Exd IIB T3 IP 65 Carbon Steel ATEX II2G
Included components:	N: 1 Aut. TG Range 0 - 120 SET 45°C - N: 1 RM-TG SET 120°C
Cable input:	N: 1 Cable entry Carbon Steel NPT ¾ (Power) - N: 1 Cable entry Carbon Steel NPT ½ " (Sensors)
Unit weight:	kg 10,00



www.fati.com
www.fatiheat.com



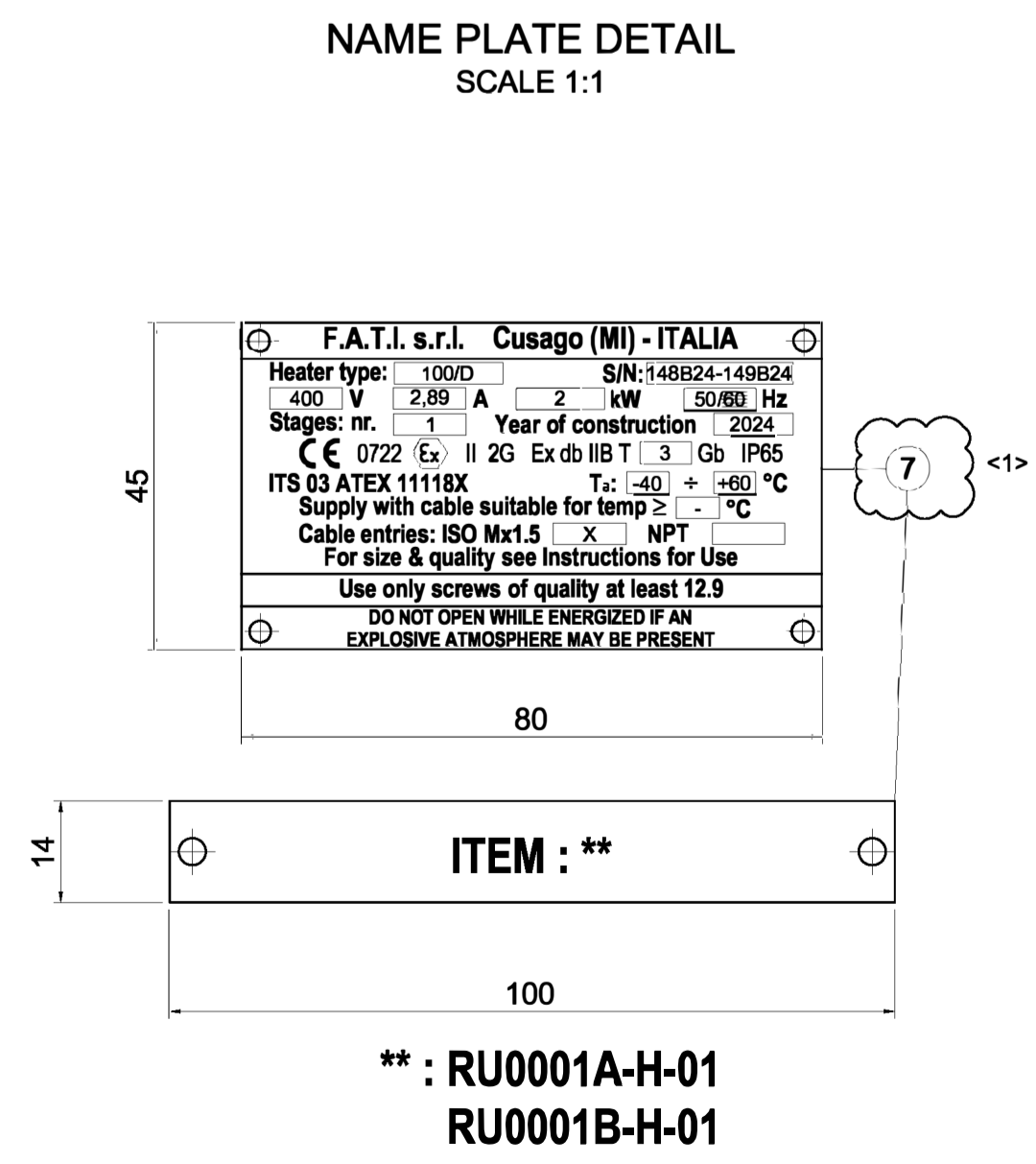
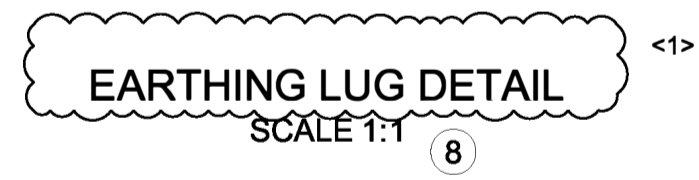
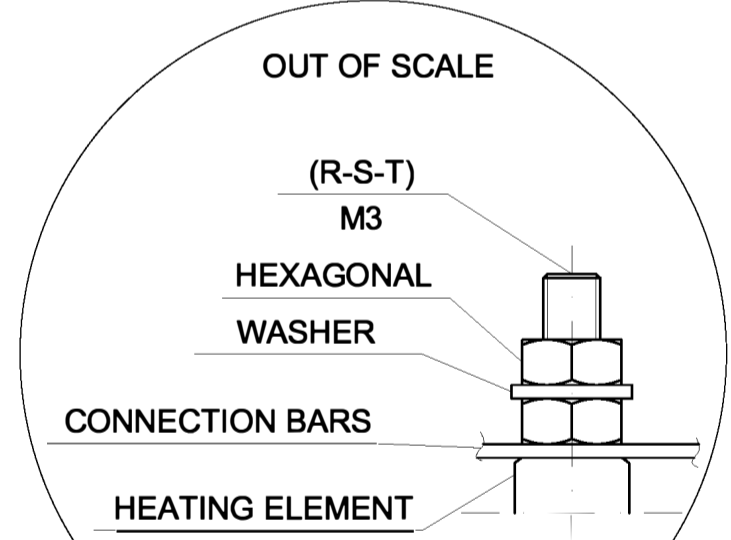
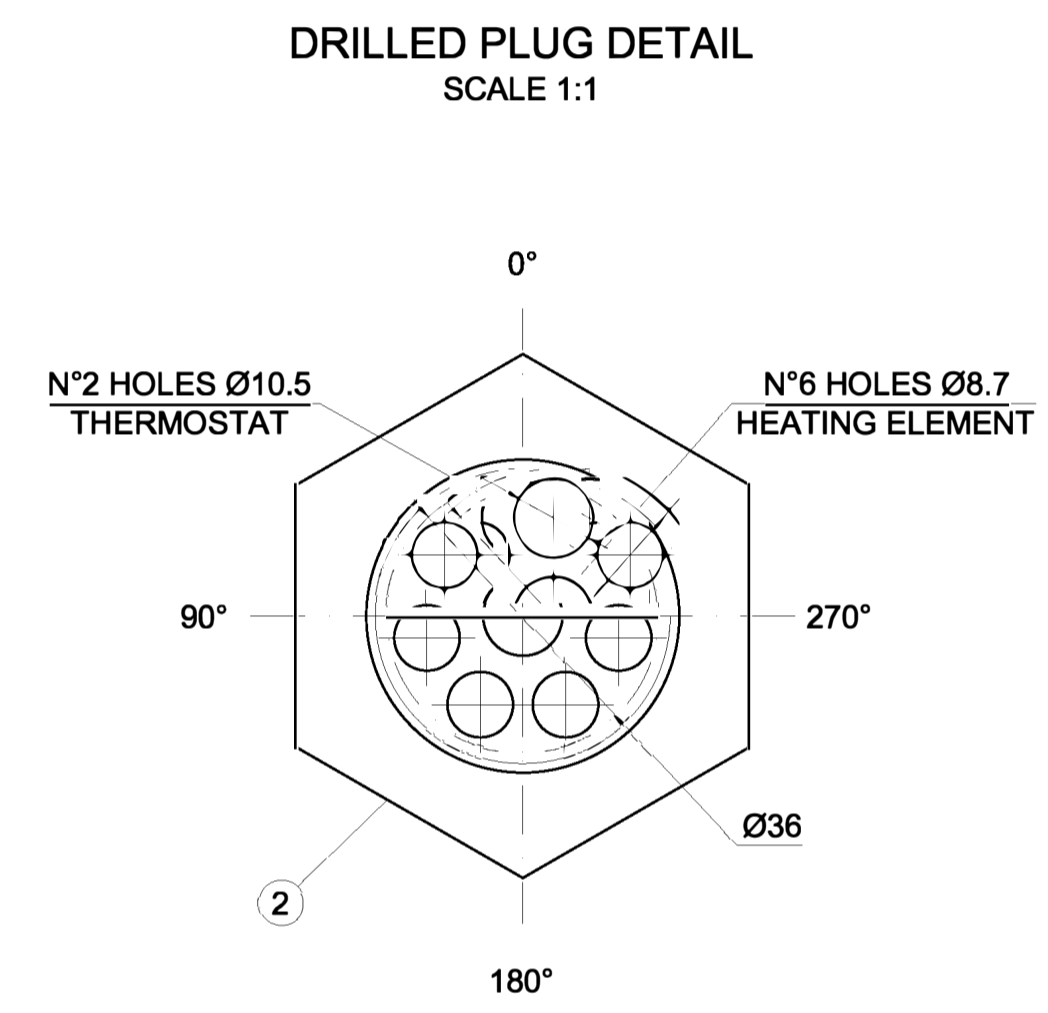
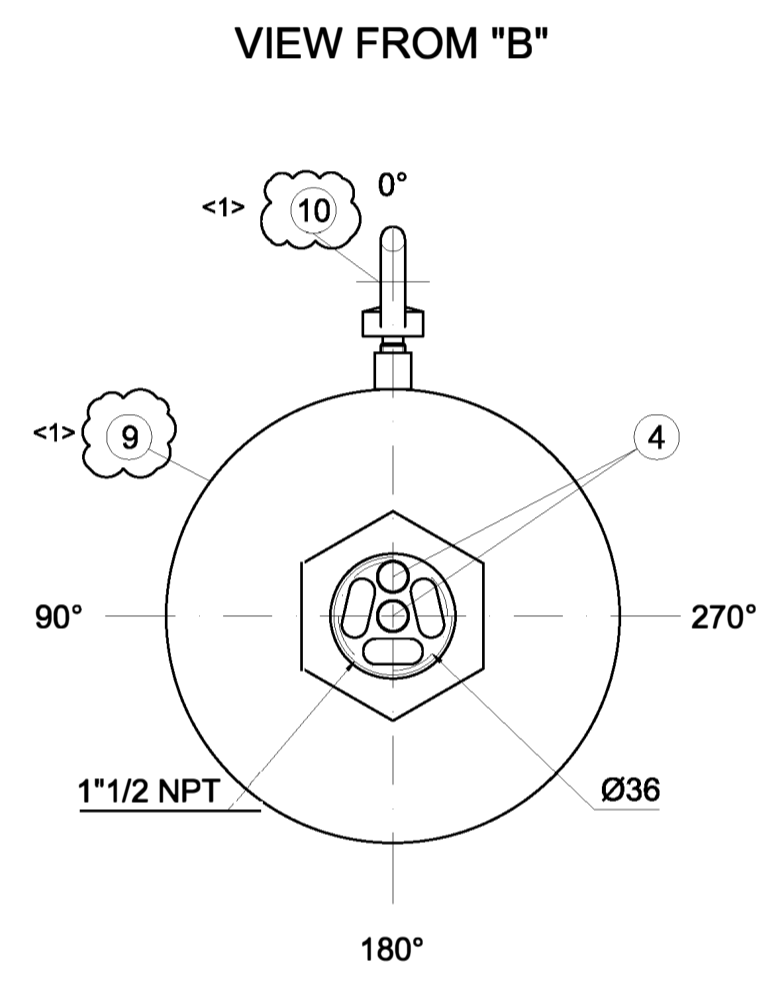
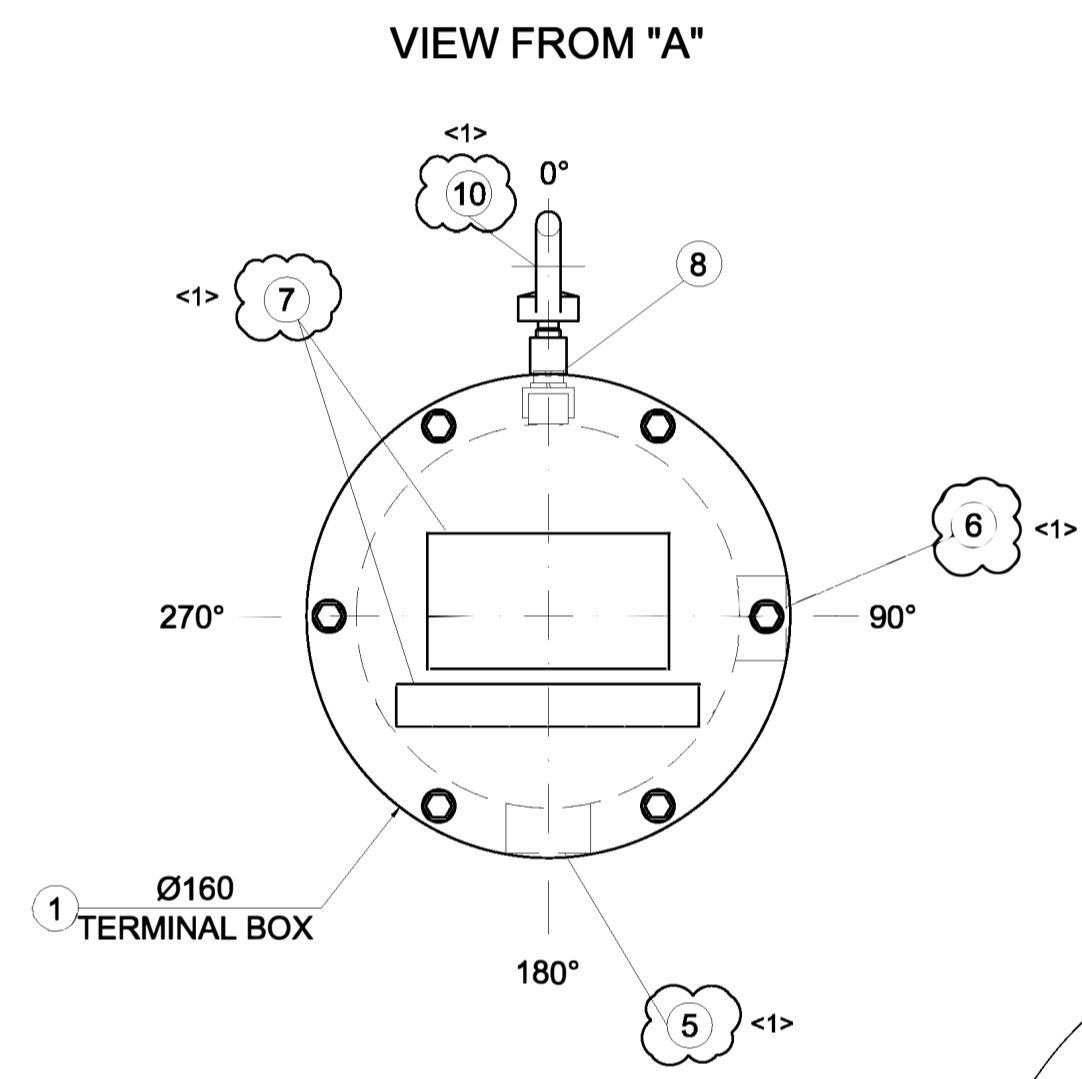
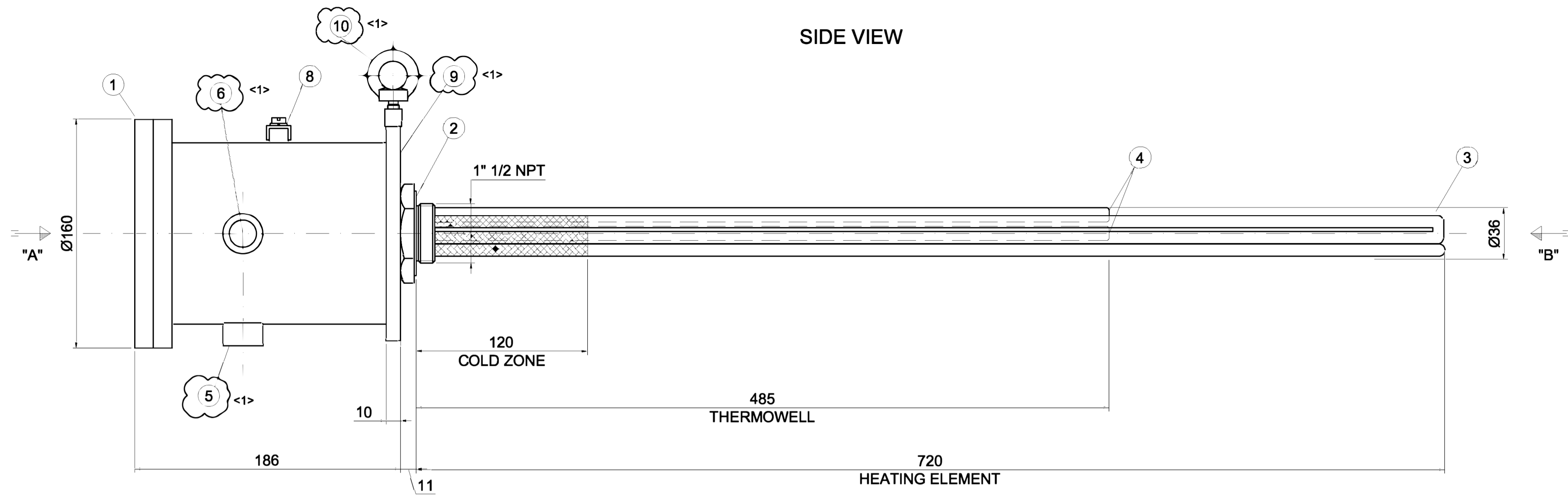
info@fati.com



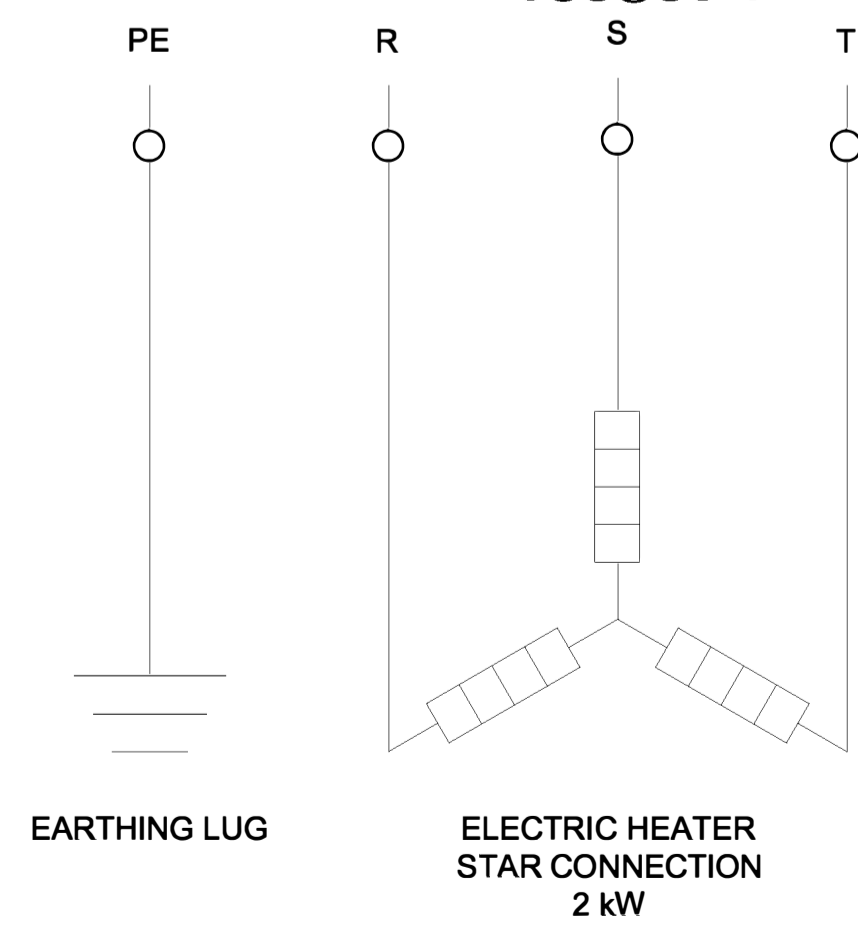
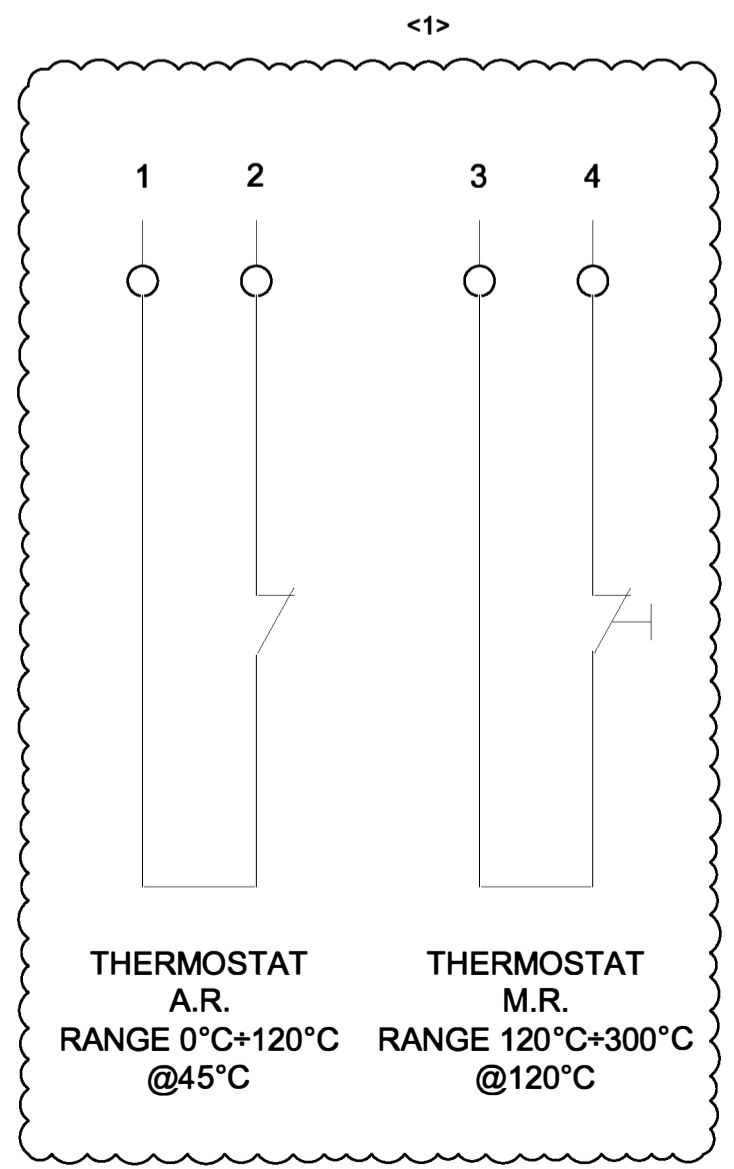
+39-02-90119641



Viale A. Volta 52
20047 Cusago (MI) Italy



WIRING DIAGRAM



- NOTES**
- All dimension are in mm except where otherwise indicated.
 - Terminal box C.S. painted according to standard FatI.Color:RAL7035.
 - One name plate set for each tag will be supplied.
 - Heating Elements Diameter: Nominal Ø10 mm - After Machining Ø8.5 mm.
 - Thermostat TG type, automatic reset set at 45°C, range 0°C+120°C, inside pockets for temperature control.
 - Thermostat TG type, manual reset set at 120°C, range 120°C+300°C, inside pockets for safety temperature control.
 - Cable glands are not in FatI scope of supply.
 - Elements length and pipes length tolerance: ±3%.

TECHNICAL DATA

Item	RU0001A-H-01 ; RU0001B-H-01
Power	2 kW
Stages	1
Voltage/Frequency/Phases	400 V ± 5% / 50 Hz ± 5% / 3 Ph
Electrical Connection	STAR
Number of Heating Elements	3
Active Length of Element	600 mm
Specific Surface Load	2,08 W/cm²
Ambient Temperature allowable	Hydrotest 35 barg -40 °C / +60 °C
Bundle Weight	10 kg
Certificate	ITS 03 ATEX 11118X

ELENCO MATERIALI Materials list

POS. Pos.	DESCRIZIONE Description	Q.tà Q.ty	MATERIALI Materials	CERT. Cert.	DIMENSIONI Dimensions	NOTE Note
10	EYE BOLT	1	C.S.	C	M6	
9	TUBESHEET	1	ST.ST. 304L	C	Ø150x10 mm	
8	EARTHING LUG	1	ST.ST. 304	C	M6	
7	NAMEPLATE	1	ST.ST. 316L	C	80x45 x 100x14-Thk.0.5 mm	
6	INSTRUMENT CABLE ENTRY	1	C.S.	C	ISO M20	
5	POWER CABLE ENTRY	1	C.S.	C	ISO M32	
4	THERMOWELL	1	SA 249 TP304L	B	Ø10x1 - L=485 mm	
3	HEATING ELEMENT	3	SA 249 TP304L	B	Ø8.5x1 - L=720 mm	
2	PLUG	1	ST.ST. 304L	C	1 1/2 NPT	
1	TERMINAL BOX	1	C.S.	C	100/D - Ex db IIB T3 Gb IP65	

F.A.T.I. s.r.l.
Electric Heaters for Industry
viale A. Volta 52, 20047 Cusago-MI-Italy

ELECTRIC HEATER 2 kW BUNDLE DETAIL DRAWING

Dis. N. Drgv. N. 1
Rev. 1

Scala Scale 1:2.5
Fg. Sh. 1 di 1

Commissa Job //

Item RU0001A-H-01
RU0001B-H-01