



Toase-e Park Sanati Gohar Ofogh
Petrochemical Co.
**CONCEPTUAL, BASIC and DETAIL DESIGN
ENGINEERING OF STYRENE PARK OFFSITE**



Document Title: Compressor Package Outline Drawing

Document No.: EI027-HSE-VD –ME–DWG–002- A0

Rev. A0

Page 1 of 3

STYRENE PARK OFFSITE

Document Title:

Compressor Package Outline Drawing

Rev.	Issued Date	DESCRIPTION	PREPARED	CHECKED	APPROVED
A0	21-07-2025	AS&AFC	F.SH	M.O	A.M
R1	08-06-2024	IFA	F.SH	M.O	A.M
R0	03-02-2024	IFA	F.SH	M.O	A.M



Toase-eh Park Sanati Gohar Ofogh
 Petrochemical Co.
**CONCEPTUAL, BASIC and DETAIL DESIGN
 ENGINEERING OF STYRENE PARK OFFSITE**



Document Title: Compressor Package Outline Drawing

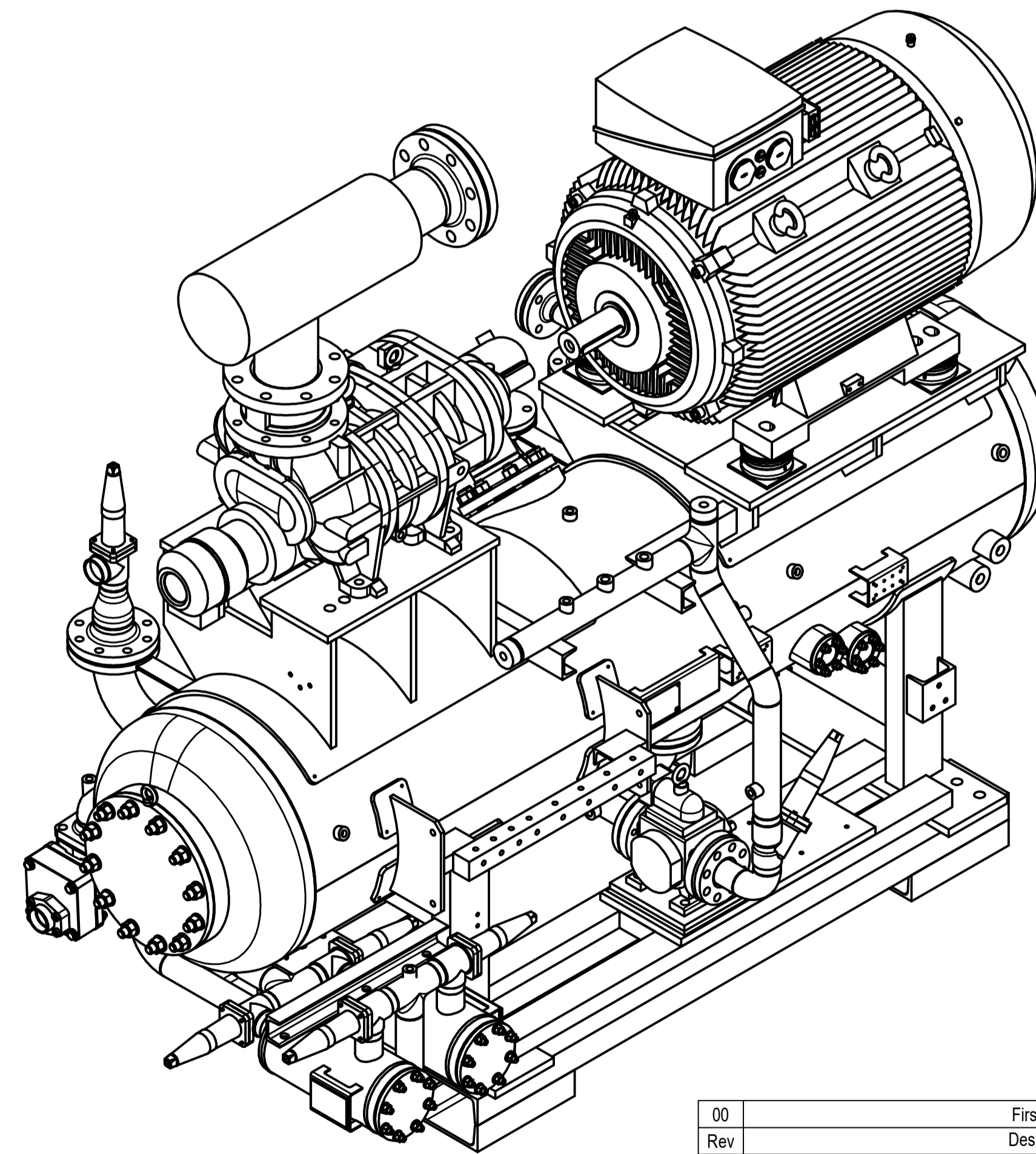
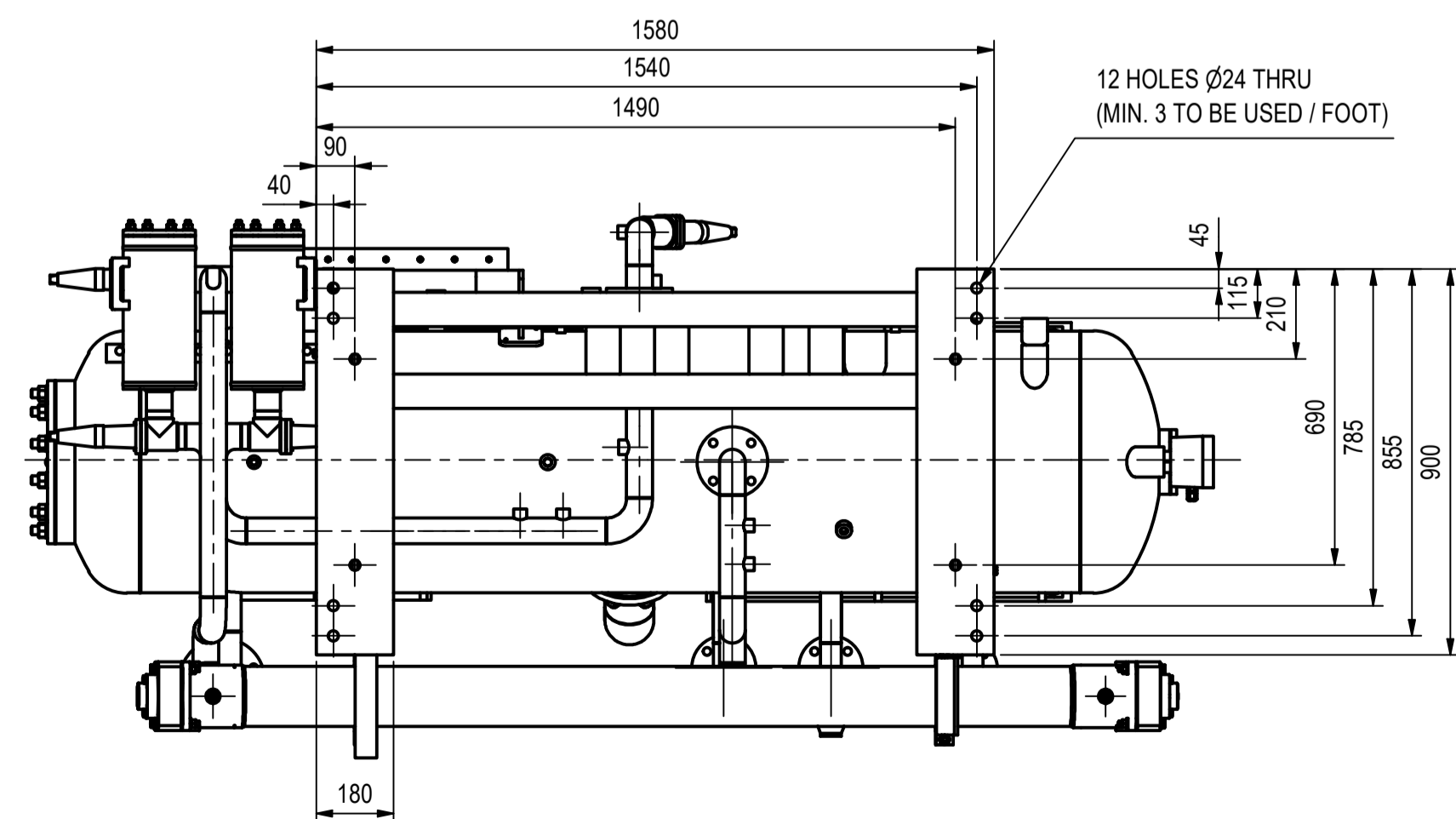
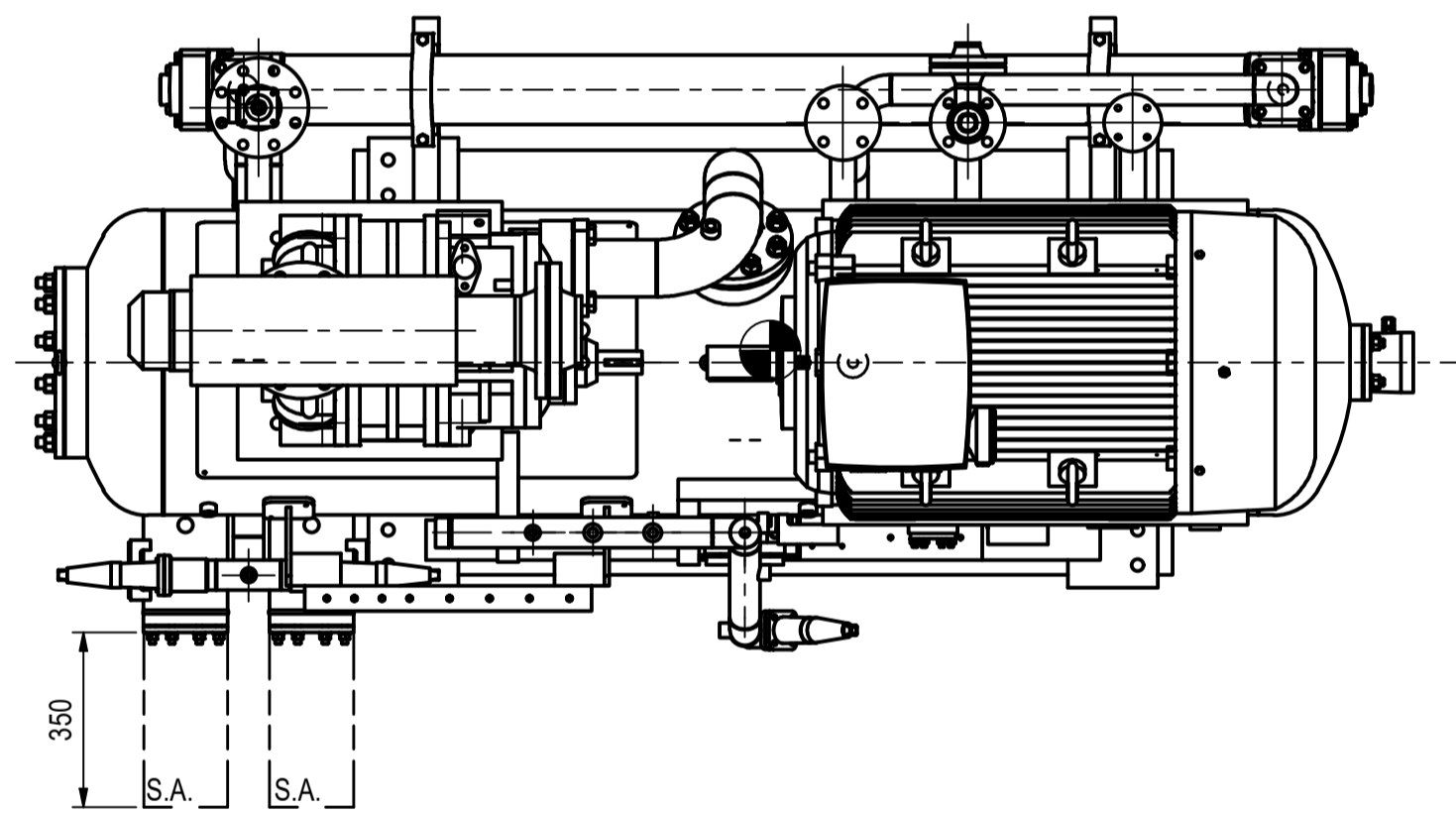
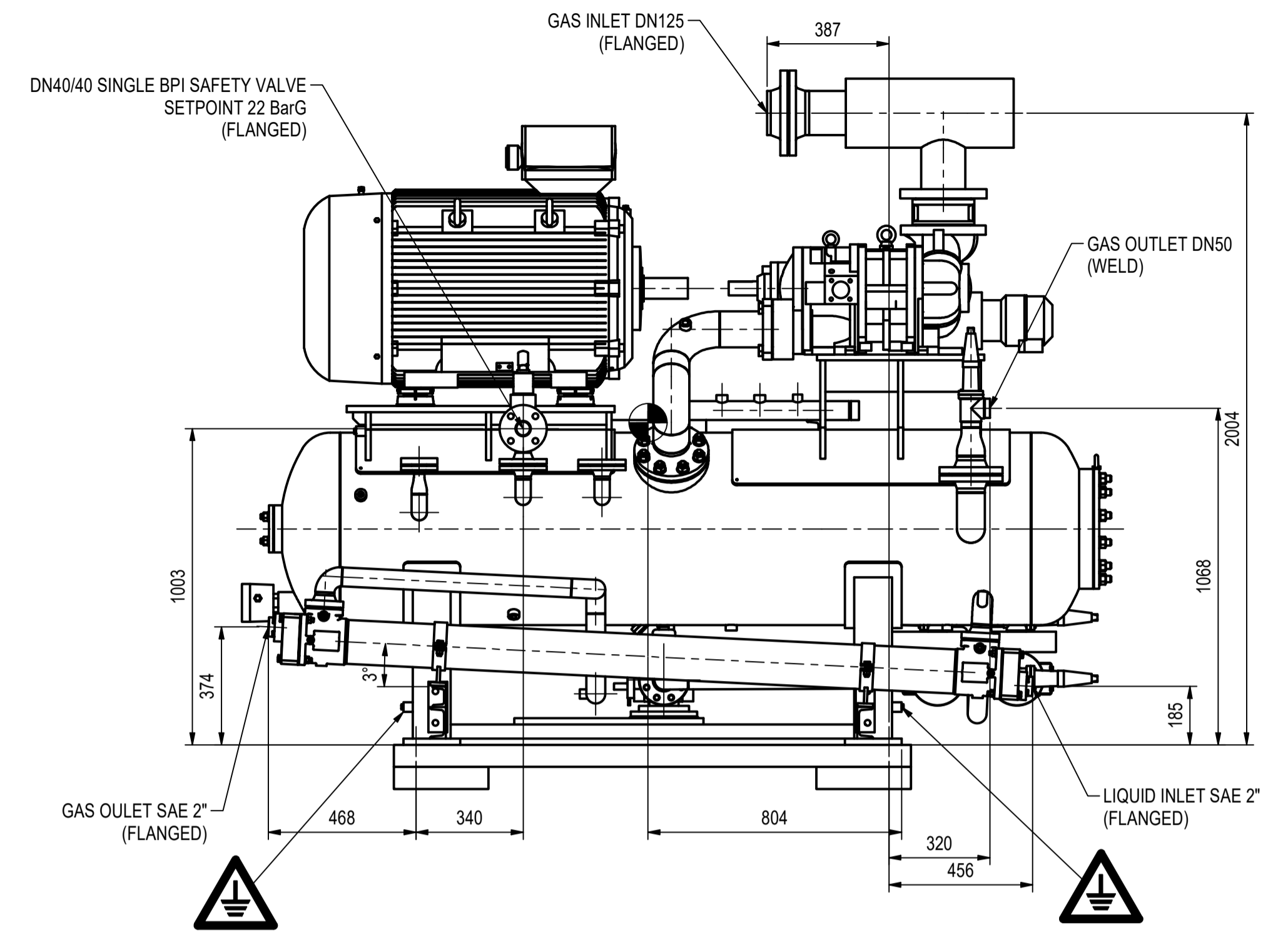
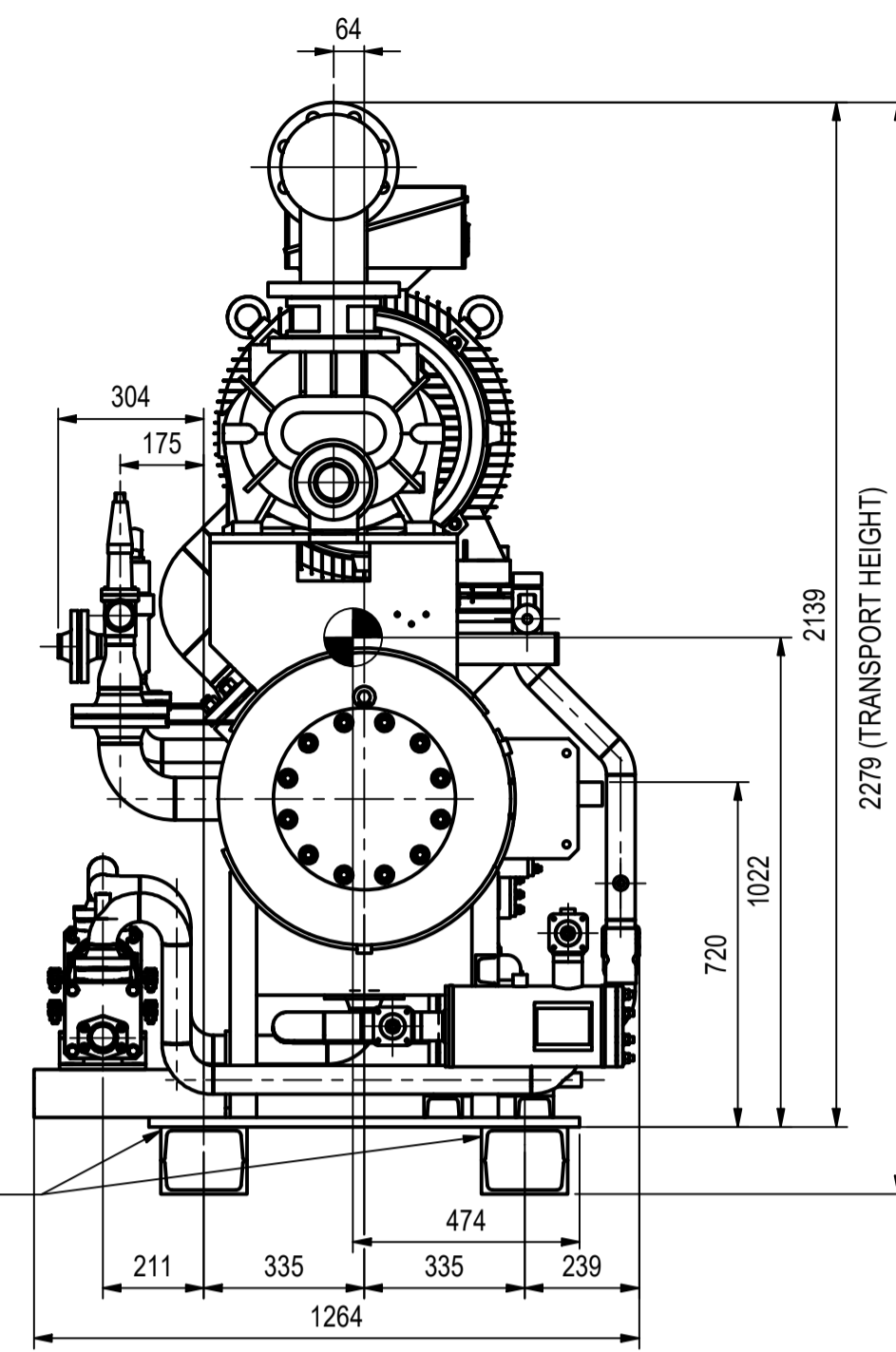
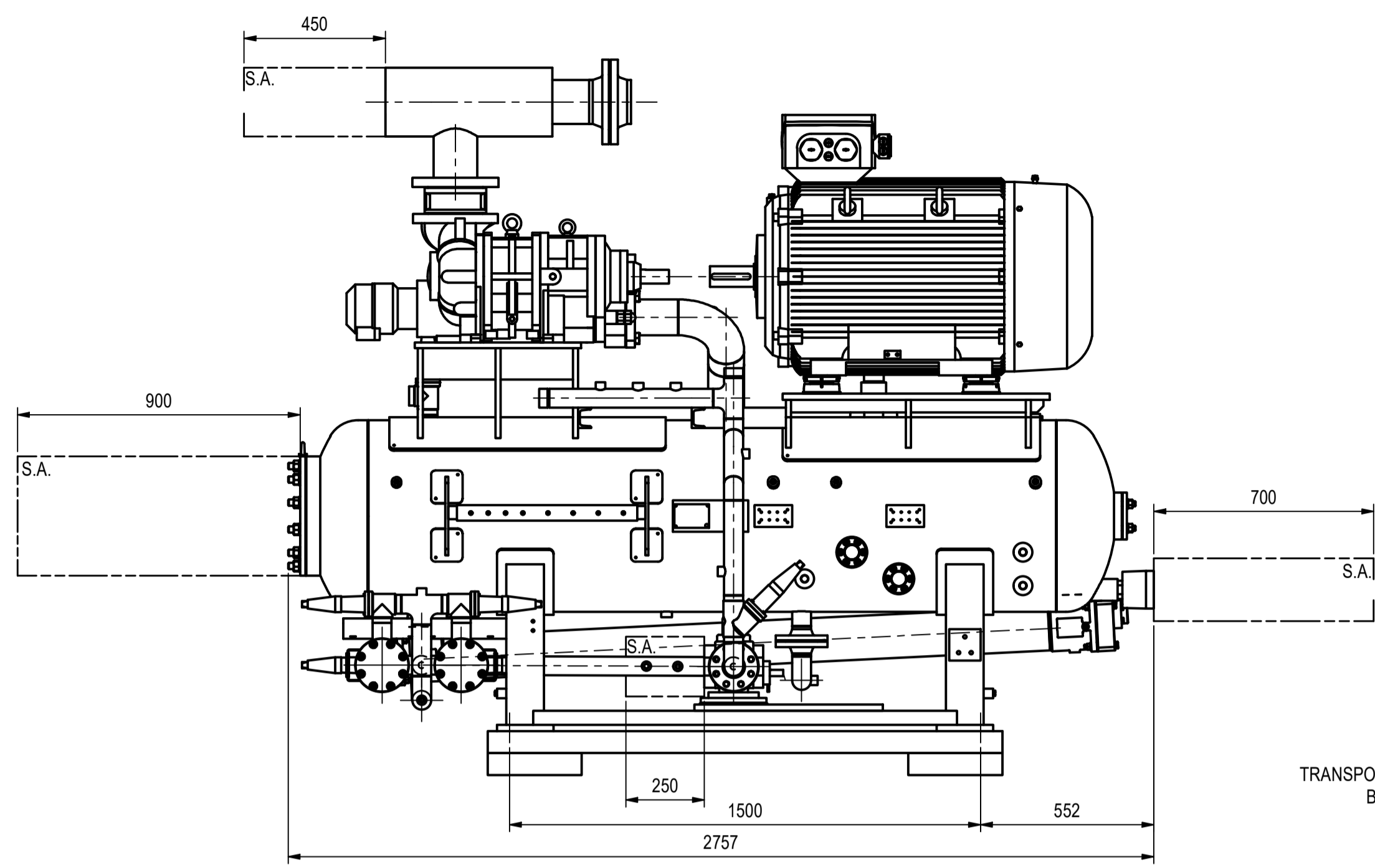
Document No.: EI027-HSE-VD –ME–DWG–002- A0

Rev. A0

Page 2 of 3

REVISION RECORD SHEET

Page Page	Revisions							Page	Revisions						
	R0	R1	A0						R0	R1	R2	R3	R4	R5	R6
1	X	X	X					41							
2	X	X	X					42							
3	X	X	X					43							
4								44							
5								45							
6								46							
7								47							
8								48							
9								49							
10								50							
11								51							
12								52							
13								53							
14								54							
15								55							
16								56							
17								57							
18								58							
19								59							
20								60							
21								61							
22								62							
23								63							
24								64							
25								65							
26								66							
27								67							
28								68							
29								69							
30								70							
31								71							
32								72							
33								73							
34								74							
35								75							
36								76							
37								77							
38								78							
39								79							
40								80							



S.A. = SERVICE AREA

= CENTER OF GRAVITY

= GROUNDING (AT LEAST 1 MANDATORY)

For more accurate transport dimensions, please contact Mayekawa Europe one week in advance of foreseen shipment date.

Weight information (Approx.):

Empty weight (kg): 3300 Max. operating weight (kg): 3500

Paint information:

Unit color (RAL): 7035 Motor in the unit color: Yes No

Paint system:

00	First issue	JCR	YA	04/06/2024
Rev	Description	Drw	App	Date App
Revision table				
MAYEKAWA		MAYEKAWA EUROPE N.V. Leuvensesteenweg, 605 1930 Zaventem - Belgium		Customer: Proj. nr.: Proj. name: Ext. dwg. nr.:
www.mayekawa.eu		Ext. Rev.:		
Work in Progress		P160VSD-M General arrangement for customer		
Drawn: JCR 04/06/2024 Checked: YA 04/06/2024 Appr.: Eng.:		Size: A1 Sheet: 1 of 1		
Unless mentioned, all dimensions in mm. Rc = Int. BSPT taper (ISO 7) Rp = Int. BSPT parallel (ISO 7) R = Ext. BSPT (ISO 7)		Scale: 1:15		Replaces:

A0

THIS DOCUMENT MUST BE TREATED AS CONFIDENTIAL. IT MUST NOT BE COPIED, DISTRIBUTED TO OTHERS OR ITS CONTENTS BE USED OR COMMUNICATED EITHER IN WHOLE OR IN PART WITHOUT PERMISSION OF MAYEKAWA EUROPE N.V. ALL RIGHTS ARE RESERVED.