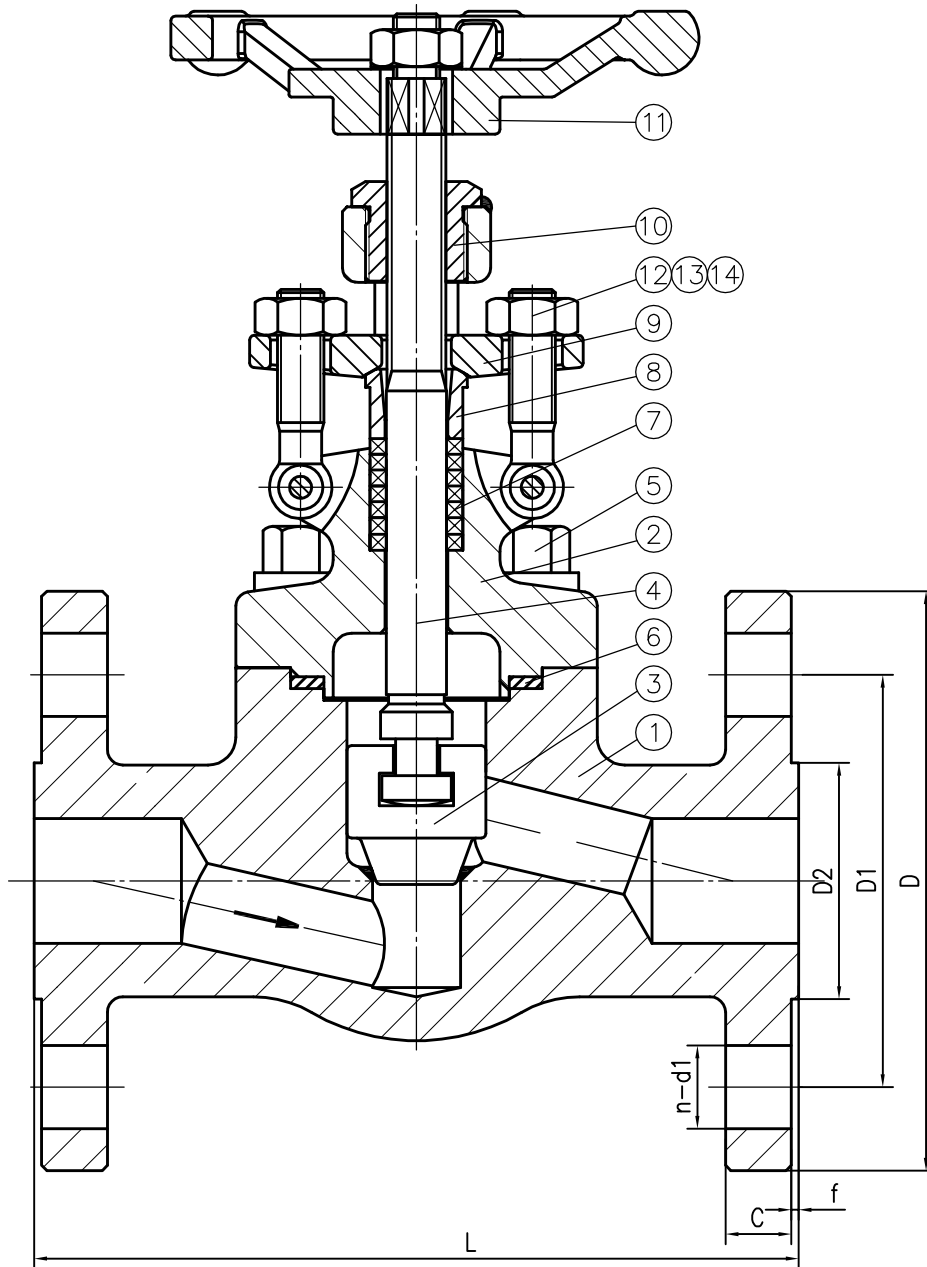


tag number:
GLO-RU0001A02
GLO-RU0001B02

6	1	203	50.8	88.9	125	15.9	2	4- ϕ 19
NO	NPS	L	D2	D1	D	C	f	n-d1


WEIGHT: \approx 6.8 Kg



Performance Specification		
Nominal Pressure	300LB	
Test Pressure	Shell test	7.8
	Back seal test	5.7
	Seat test	5.7
	Gas test	0.4~0.7
Working Temperature	-29~425	$^{\circ}$ C
Medium: water oil & gas		

Technical Specification	
Design and manufacture	API 602
Face-to-face	ASME B16.10
Flanged ends	ASME B16.5(RF)
Pressure-Temperature class	ASME B16.34
Inspection and test	API 598

7	Packing	Graphite	14	Nut	ASTM A194 7M
6	Gasket	S.S+Graphite	13	Eyebolt	ASTM A320 L7M
5	Bolt	ASTM A320 L7M	12	Pin	C.S
4	Stem	ASTM A182 F316	11	Hand Wheel	Malleable iron
3	Disc	ASTM A182 F316+STL	10	Stem Nut	AISI 1045
2	Bonnet	ASTM A350 LF2	9	Gland Flange	ASTM A350 LF2
1	Body	ASTM A350 LF2	8	Gland	ASTM A276 410
NO.	PART NAME	MATERIAL	NO.	PART NAME	MATERIAL

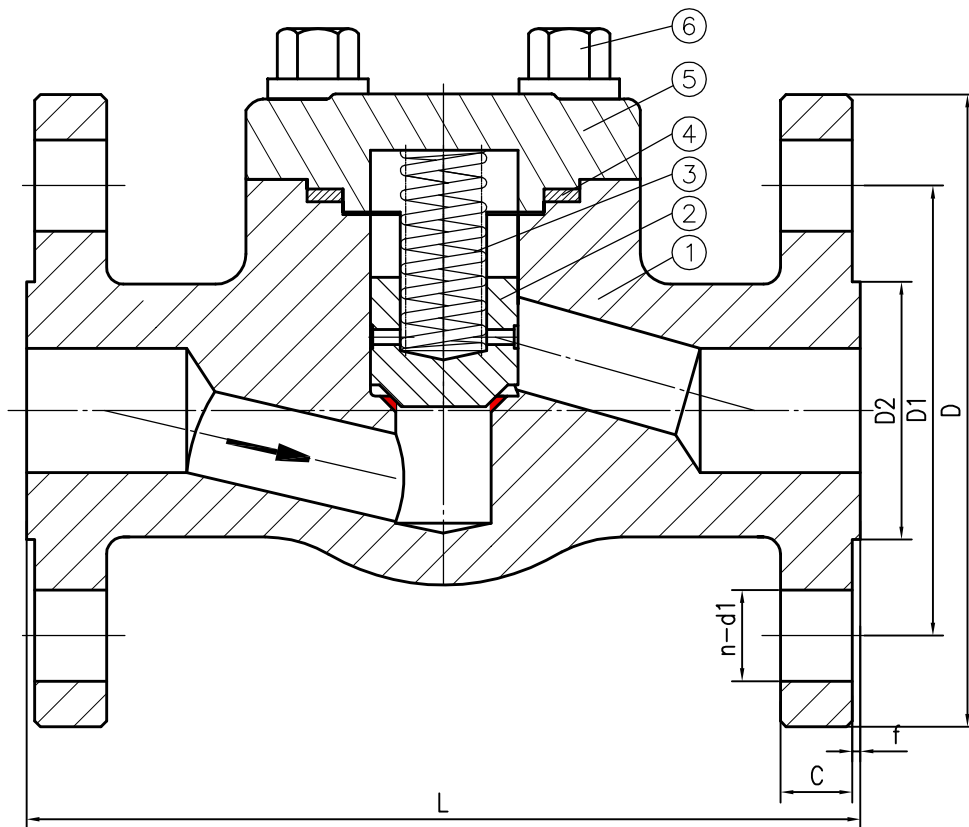
					Class 300			
					NPS 1			
					GLOBE VALVE		DRAW REV.	
					ASSEMBLY DRAWING			
MARK	QTY	FILE NO.	SIGN	DATE				
DESIGN	JASON	STANDARD						
CHECK		APPROVE	S.Parker					
TECHNOLOGY								

CHECKED BY
PRINTED BY
OLD DRAWING NO.
BASED DRAWING NO.
SIGNATURE
DATE

tag number:
 CHV-RU0001A04
 CHV-RU0001B04

16	1	203	50.8	88.9	125	15.9	2	4- ϕ 19
NO	NPS	L	D2	D1	D	C	f	n-d1

WEIGHT: \approx 6 Kg



Performance Specification		
Nominal Pressure		300LB
Test Pressure	Shell test	7.8
	Back seal test	--
	Seat test	5.7
	Gas test	--
Working Temperature		-46~300 °C
Medium: water oil & gas		

Technical Specification	
Design and manufacture	API 602
Face-to-face	ASME B16.10
Flanged ends	ASME B16.5(RF)
Pressure-Temperature class	ASME B16.34
Inspection and test	API 598

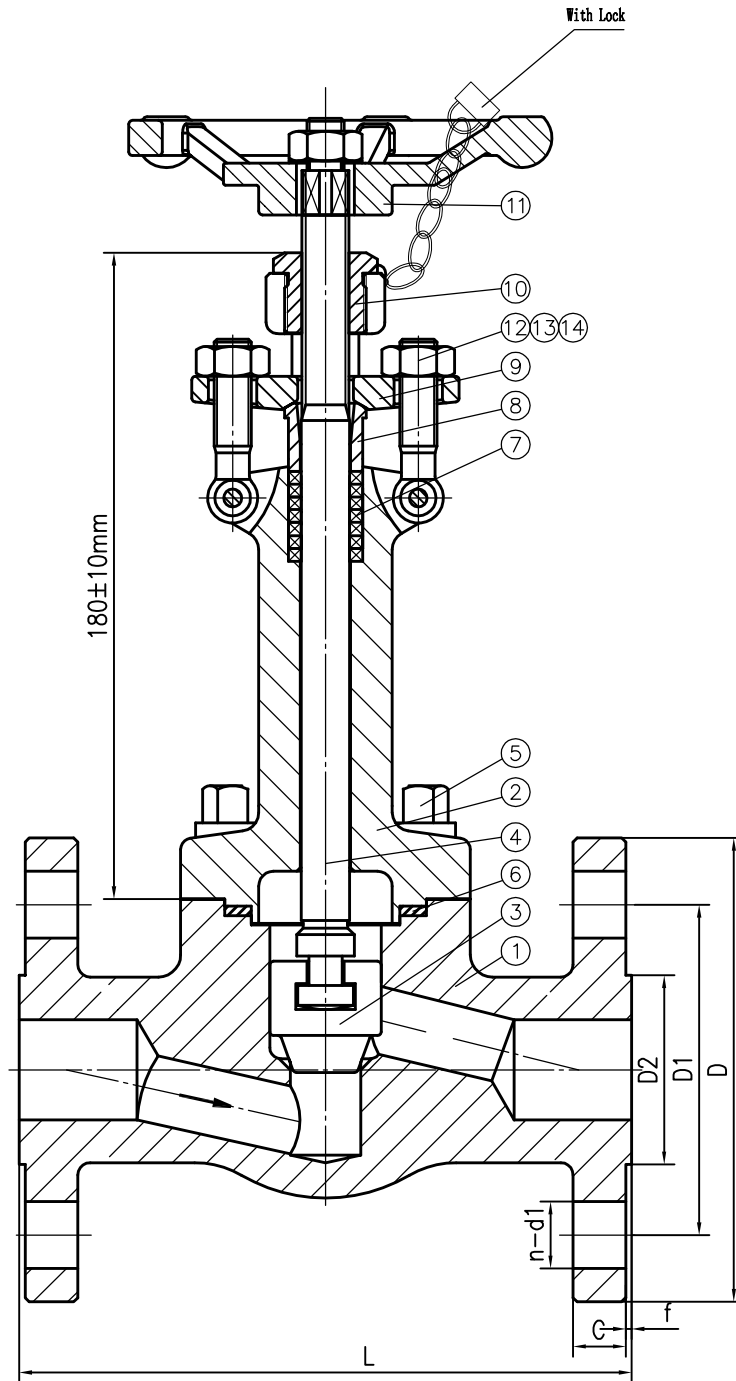
CHECKED BY
 PRINTED BY
 OLD DRAWING NO.
 BASED DRAWING NO.
 SIGNATURE
 DATE

3	Spring	304SS	6	Bolt	ASTM A320 L7M
2	Disc	ASTM A182 F316+STL	5	Bonnet	ASTM A350 LF2
1	Body	ASTM A350 LF2	4	Gasket	S.S+Graphite
NO.	PART NAME	MATERIAL	NO.	PART NAME	MATERIAL
Class 300 NPS 1 Piston Check Valve					DRAW REV.
MARK	QTY	FILE NO.	SIGN	DATE	METALLUM
DESIGN	JASON	STANDARD			
CHECK		APPROVE	S.Parker		
TECHNOLOGY					ASSEMBLY DRAWING

tag number:
GLO-RU0001A03
GLO-RU0001B03


19	1	203	50.8	88.9	125	15.9	2	4-φ19
NO	NPS	L	D2	D1	D	C	f	n-d1

WEIGHT: ≈8.6 Kg



Performance Specification		
Nominal Pressure		300LB
Test Pressure	Shell test	7.8
	Back seal test	5.7
	Seat test	5.7
	Gas test	0.4~0.7
Working Temperature		-46~300 °C
Medium: water oil & gas		

Technical Specification	
Design and manufacture	API 602
Face-to-face	ASME B16.10
Flanged ends	ASME B16.5(RF)
Pressure-Temperature class	ASME B16.34
Inspection and test	API 598

7	Packing	Graphite	14	Nut	ASTM A194 7M
6	Gasket	S.S+Graphite	13	Eyebolt	ASTM A320 L7M
5	Bolt	ASTM A320 L7M	12	Pin	C.S
4	Stem	ASTM A182 F316	11	Hand Wheel	Malleable iron
3	Disc	ASTM A182 F316+STL	10	Stem Nut	AISI 1045
2	Bonnet	ASTM A350 LF2	9	Gland Flange	ASTM A350 LF2
1	Body	ASTM A350 LF2	8	Gland	ASTM A276 410
NO.	PART NAME	MATERIAL	NO.	PART NAME	MATERIAL
		Class 300			
		NPS 1			
		GLOBE VALVE		DRAW REV.	
MARK	QTY	FILE NO.	SIGN	DATE	
DESIGN	JASON	STANDARD			
CHECK		APPROVE	S.Parker		
TECHNOLOGY					
				ASSEMBLY DRAWING	

CHECKED BY
PRINTED BY
OLD DRAWING NO.
BASED DRAWING NO.
SIGNATURE
DATE

Specification Standard Sheet		
Shell Test Pressure	7.7	MPa
High Pressure Seal Test	5.7	
Back Seat Seal Pressure Test	5.7	
Low Pressure Seal Test	0.6	

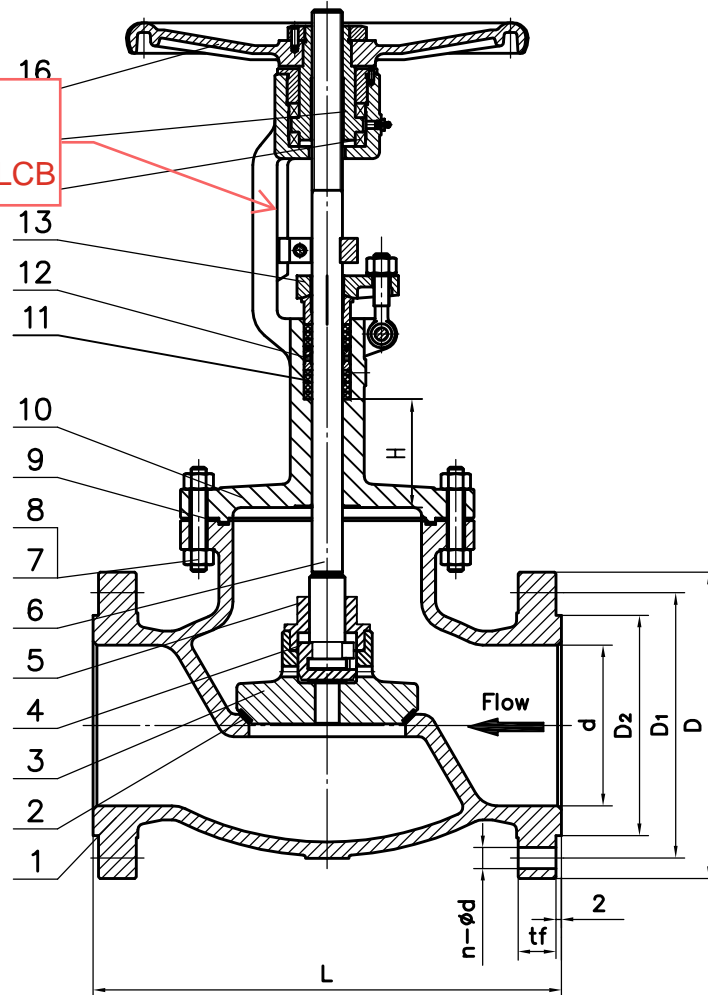
tag number:
GLO-RU0001A04
GLO-RU0001B04

Item	Nominal Diameter		Main Dimension mm							
	inch	mm	d	D	D1	D2	tf	n- ϕ d	L	H
27	6"	150	152	320	269.9	215.9	35.1	12- ϕ 22	444	100


WEIGHT: \approx 140 Kg

Temperature and Pressure	ASME B16.34
Design and Manufacture	BS 1873
Face to Face Dimensions	ASME B16.10
Flange Ends Dimensions	ASME B16.5
Inspection and Test	API 598

Please add this part
(Yoke) in part list.
material to be A352 LCB



16	Hand Wheel	ASTM A536 60-40-18	
15	Plane Bearing	ASTM A295 52100	
14	Stem Nut	Copper Alloy	
13	Gland Flange	ASTM A352 LCB	
12	Stem Packing	Flexible Graphite	
11	Packing Ring	ASTM A276 304	
10	Bonnet	ASTM A352 LCB	
9	Winded Gasket	Graphite+SS304	
8	Hex. Nut	ASTM A194 7	
7	Bonnet Bolt	ASTM A320 L7	
6	Stem	ASTM A182 F316	
5	Disc Nut	SS316	
4	Small Disc	ASTM A182 F316	
3	Large Disc	ASTM A182 F316	
2	Valve Seal	INT+STL6	
1	Body	ASTM A352 LCB	
No	Parts Name	Parts Material	Remarks

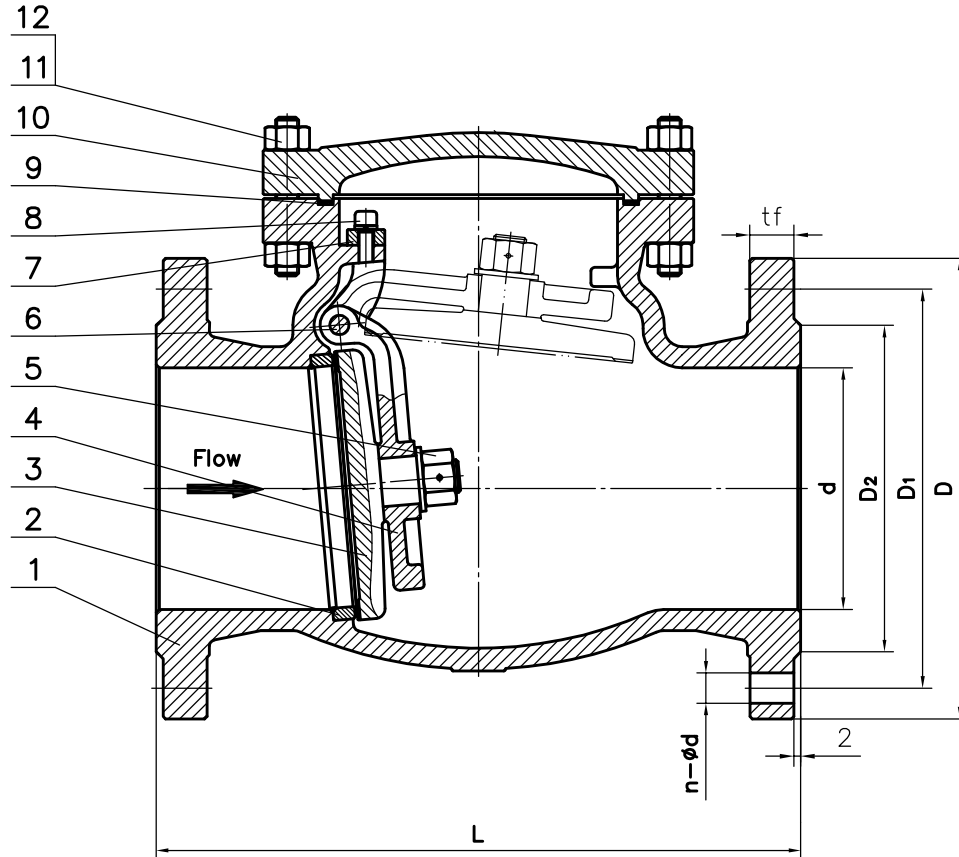
MARK	QTY	FILE NO.	SIGN	DATE	NPS 6" BALL VALVE	DRAW REV.
DESIGN	JASON	STANDARD				
CHECK		APPROVE	S.Parker		ASSEMBLY DRAWING	
TECHNOLOGY						

Specification Standard Sheet		
Shell Test Pressure	7.7	MPa
High Pressure Seal Test	5.7	
Suitable Temperature	-10~400°C	
Suitable Medium	Water, Steam, Oil etc	

Please add tag number:
CHV-RU0001A03
CHV-RU0001B03


WEIGHT: ≈19 Kg

Item	Nominal Diameter		Main Dimension mm						
	inches	mm	d	D	D1	D2	tf	n-∅d	L
29	2"	50	49	165	127	92.1	20.6	8-∅19	267



Temperature and Pressure	ASME B16.34
Design and Manufacture	API 6D
Face to Face Dimensions	ASME B16.10
Flanged Fittings Dimensions	ASME B16.5
Inspection and Test	API 598

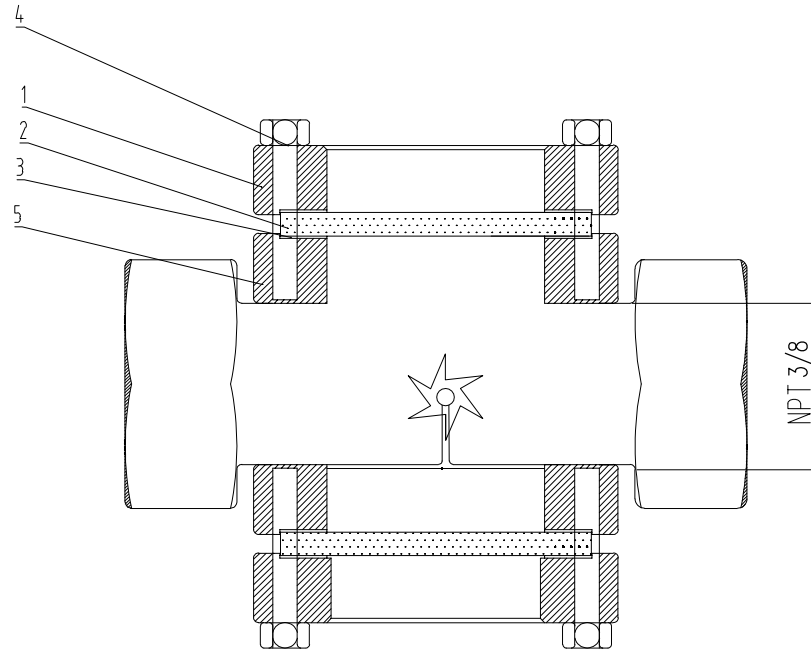
12	Cover Bolt	ASTM A193 B7	
11	Cover Nut	ASTM A194 2H	
10	Cover	ASTM A216 WCB	
9	Gasket	Graphite+SS	
8	Yoke Bolt	Carbon Steel	
7	Yoke	ASTM A216 WCB	
6	Pin	ASTM A276 316	
5	Disc Nut	Carbon Steel	
4	Hinge	ASTM A216 WCB	
3	Disc	ASTM A182 F316	
2	Seat Ring	ASTM A105+STL6	
1	Body	ASTM A216 WCB	
No	Parts Name	Parts Material	Remarks

					Class 300 NPS 2 CHECK VALVE	DRAW REV.
MARK	QTY	FILE NO.	SIGN	DATE		
DESIGN	JASON	STANDARD			ASSEMBLY DRAWING	
CHECK		APPROVE	S.Parker			
TECHNOLOGY						

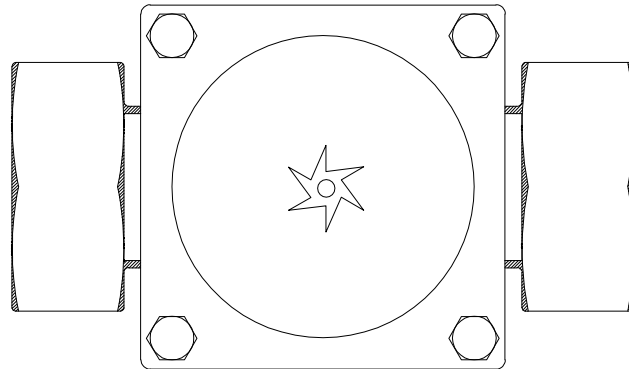
31&32	3/8
NO	NPS

WEIGHT: ≈Kg

Please add tag number:
SG-RU0001A01
SG-RU0001B01



Performance Specification		
Nominal Pressure	2.0	MPa
Shell test	2.5	
Back seal test	--	
Seat test	--	
Gas test	--	
Working Temperature	-20~120	°C
Medium:	water oil & gas	



6	Impeller	PTFE
5	Body	SS316
4	Bolt	SS304
3	Gasket	PTFE
2	Window	Glass
1	Bonnet	SS304
NO.	PART NAME	MATERIAL

CHECKED BY


PRINTED BY

OLD DRAWING NO.

BASED DRAWING NO.

SIGNATURE

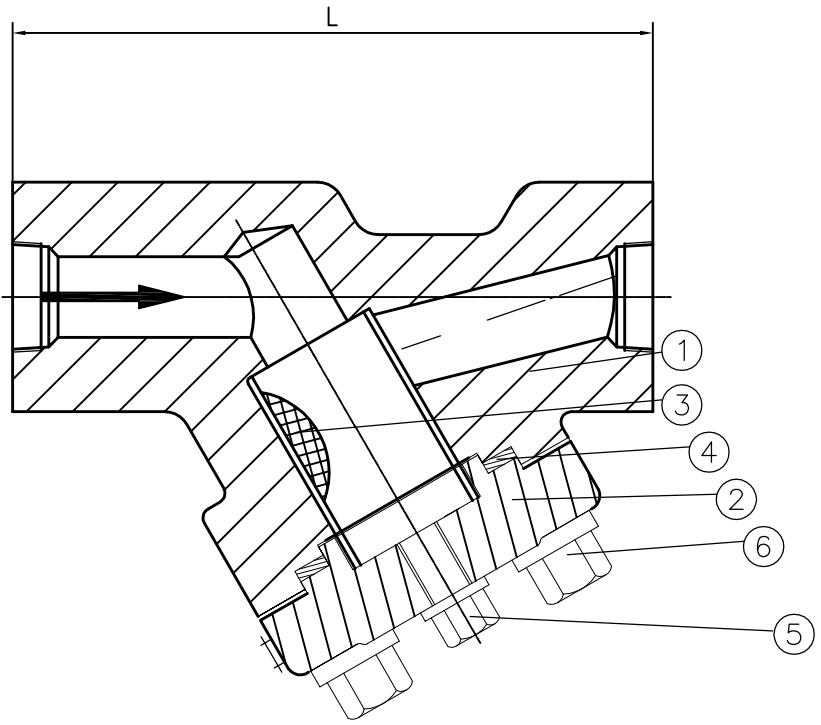
DATE

MARK	QTY	FILE NO.	SIGN	DATE	PN20 NPS 3/8 SIGHT GLASS	DRAW REV.
DESIGN	JASON	STANDARD				
CHECK		APPROVE	S.Parker		ASSEMBLY DRAWING	
TECHNOLOGY						

34	1/2	98	1/2
NO	NPS	L	NPT

Please add tag number:
YST-RU0001A02
YST-RU0001B02

MESH: 100
WEIGHT: ≈2Kg



Performance Specification		
Nominal Pressure		300LB
Test Pressure	Shell test	7.5
	Back seal test	--
	Seat test	--
	Gas test	--
Working Temperature		-45~120 ℃
Medium: water oil & gas		

- Technical Specification
- Design and manufacture: API 602
 - Face-to-face: Manufacturer's standard
 - Thread ends: ASME B1.20.1
 - Inspection and test: API 598

CHECKED BY
PRINTED BY
OLD DRAWING NO.
BASED DRAWING NO.
SIGNATURE
DATE

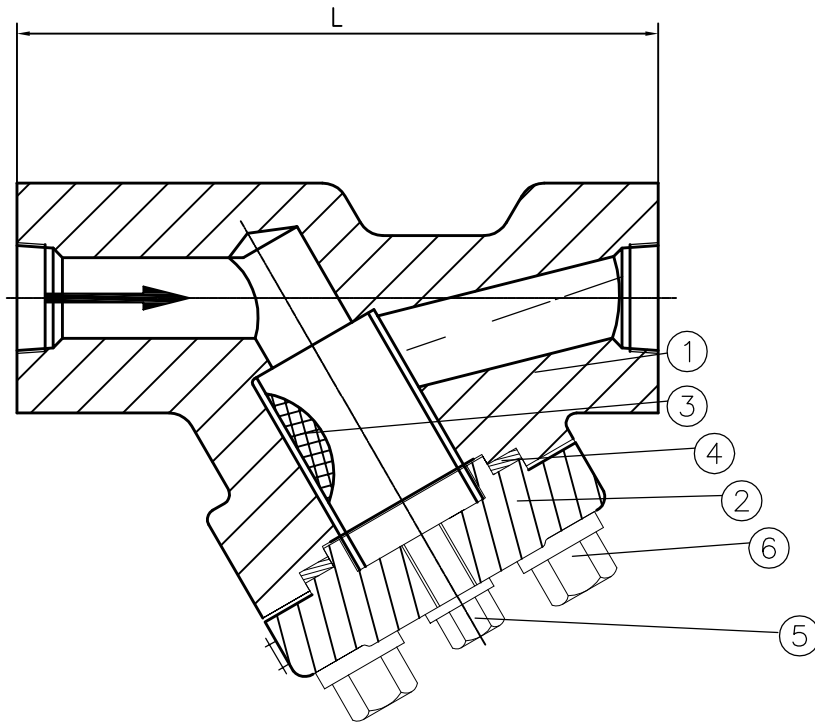
3	Filter Screen	SS316	6	Bolt	ASTM A320 L7
2	Bonnet	ASTM A350 LF2	5	Drain	S.S
1	Body	ASTM A350 LF2	4	Gasket	S.S+Graphite
NO.	PART NAME	MATERIAL	NO.	PART NAME	MATERIAL
			Class 300 NPS 1/2 Y-Strainer		DRAW REV.
MARK	QTY	FILE NO.	SIGN	DATE	ASSEMBLY DRAWING
DESIGN	JASON	STANDARD			
CHECK		APPROVE	S.Parker		
TECHNOLOGY					



Please add tag number:
YST-RU0001A01
YST-RU0001B01

MESH: 100
WEIGHT: ≈2Kg

33	3/8	98	3/8
NO	NPS	L	NPT




Performance Specification		
Nominal Pressure		300LB
Test Pressure	Shell test	7.5
	Back seal test	--
	Seat test	---
	Gas test	---
Working Temperature		-29~120 ℃
Medium: water oil & gas		

Technical Specification

1. Design and manufacture: API 602
2. Face-to-face: Manufacturer's standard
3. Thread ends: ASME B1.20.1
4. Inspection and test: API 598

CHECKED BY
PRINTED BY
OLD DRAWING NO.
BASED DRAWING NO.
SIGNATURE
DATE

3	Filter Screen	SS316	6	Bolt	ASTM A193 B7
2	Bonnet	ASTM A105N	5	Drain	C.S
1	Body	ASTM A105N	4	Gasket	S.S+Graphite
NO.	PART NAME	MATERIAL	NO.	PART NAME	MATERIAL
			Class 300 NPS 3/8 Y-Strainer		
MARK	QTY	FILE NO.	SIGN	DATE	DRAW REV.
DESIGN	JASON	STANDARD			
CHECK		APPROVE	S.Parker		
TECHNOLOGY					
ASSEMBLY DRAWING					