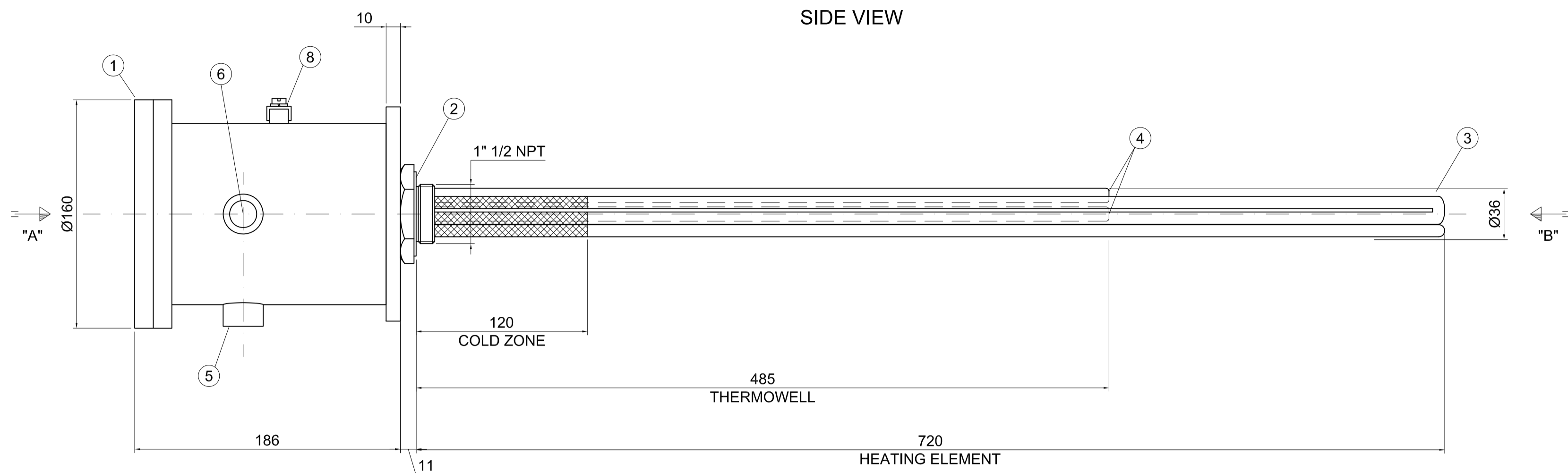


- Please recheck if baffle is needed due to 720 mm length. if so detail of full baffle.
 - Please add eye bolt to pull out the bundle

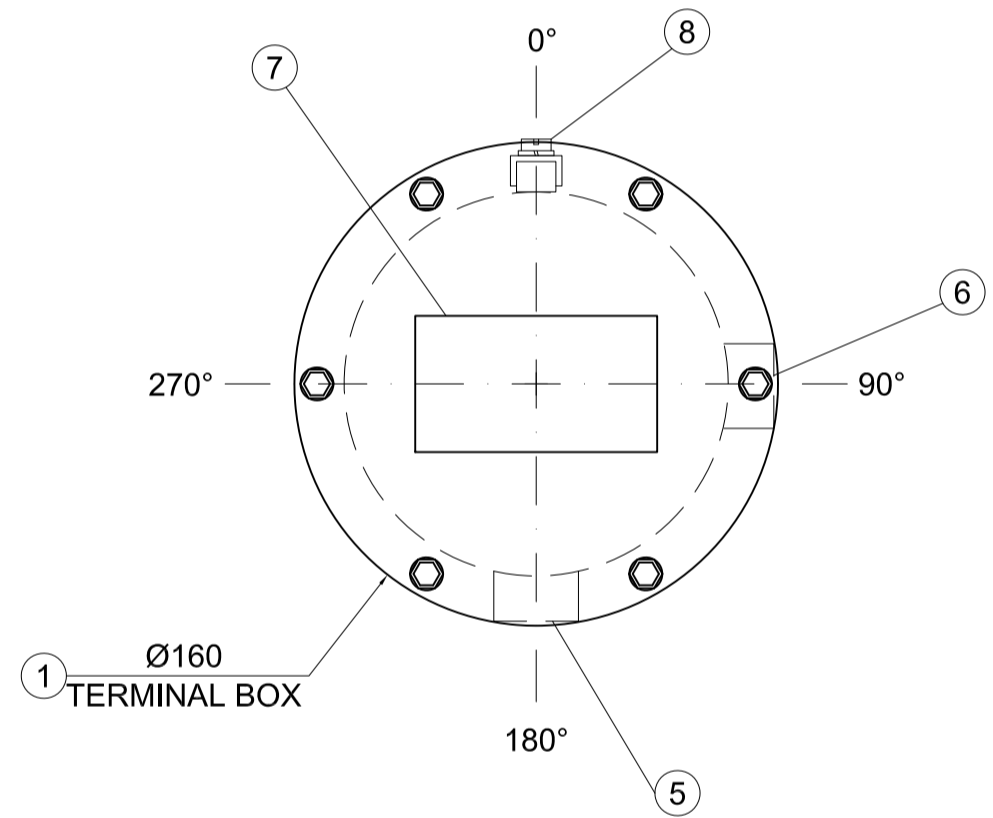
- One name plate set for each tag will be supplied
 - Terminal Box C.S. painted as Standard FATI Color: RAL7035

NOTES

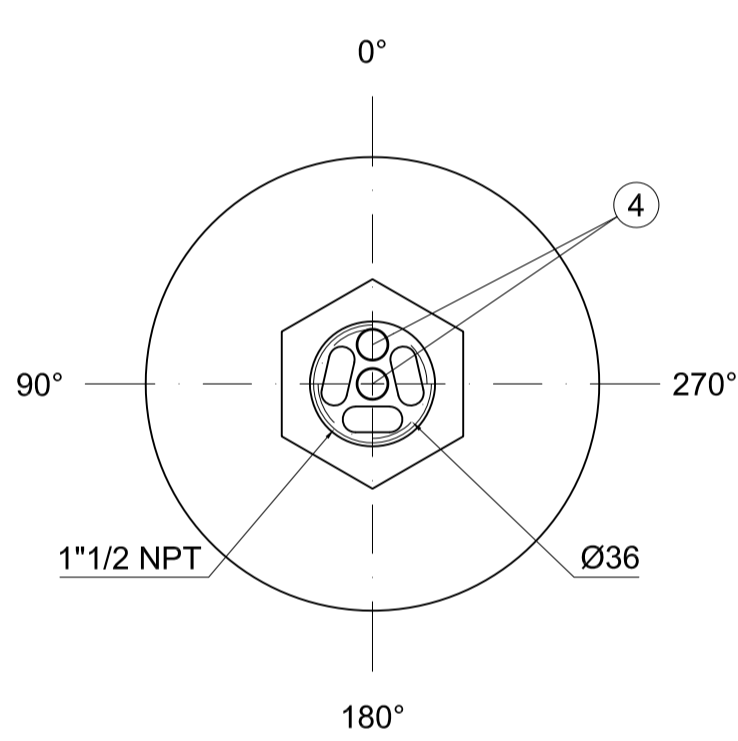
- All dimension are in mm except where otherwise indicated.
- Terminal box ST.ST. not painted according to standard Fati.
- Heating Elements Diameter: Nominal Ø10 mm - After Machining Ø8.5 mm.
- Thermostat TG type, automatic reset set at 45°C, range 0°C+120°C, inside pockets for temperature control.
- Thermostat TG type, manual reset set at 120°C, range 120°C+300°C, inside pockets for safety temperature control.
- Cable glands are not in Fati scope of supply.
- Elements length and pipes length tolerance: ±3%.



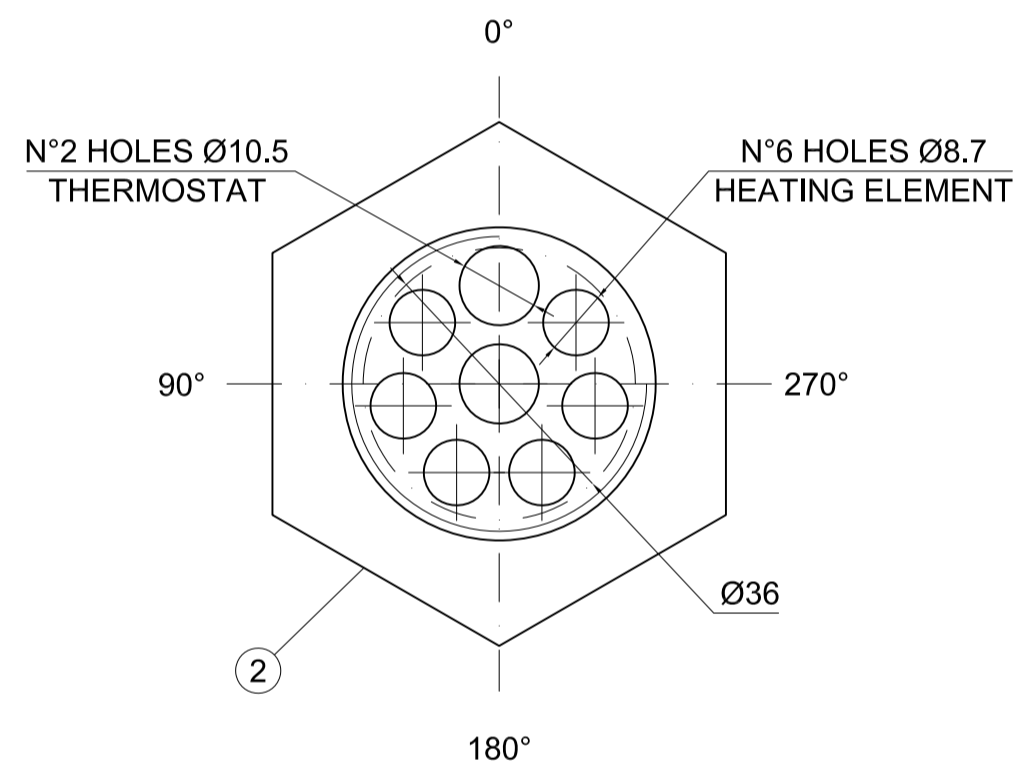
VIEW FROM "A"



VIEW FROM "B"

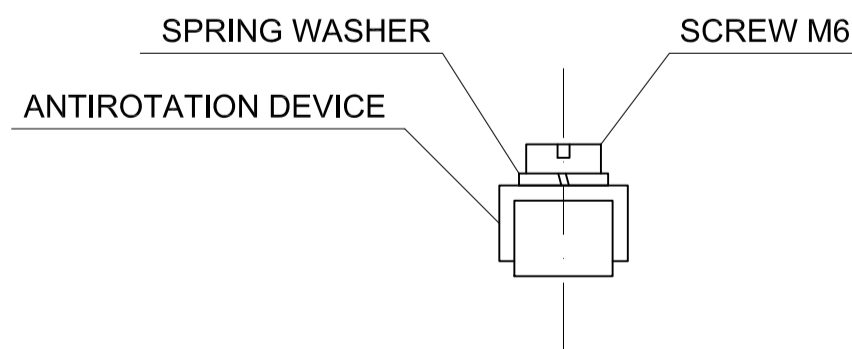


DRILLED PLUG DETAIL SCALE 1:1

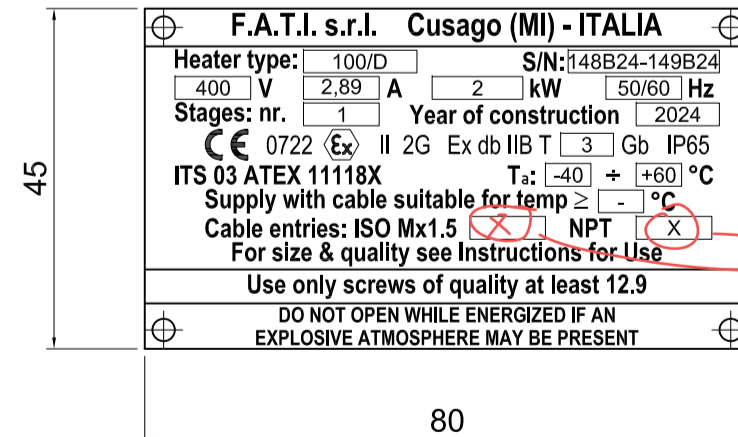


Below detail is earth lug detail. please provide power connection detail also

POWER CONNECTION SCALE 1:1



NAME PLATE DETAIL SCALE 1:1



Please add Hydro test to technical Data

RU0001A-H-01 & RU0001B-H-01

TECHNICAL DATA

Item	30-OIL HEATER	50 +/- 5%
Power	2 kW	
Stages	1	
Voltage/Frequency/Phases	400 V 50&60 Hz/ 3 Ph	
Electrical Connection	STAR	
Number of Heating Elements	3	
Active Length of Element	600 mm	
Specific Surface Load	2,08 W/cm²	
Ambient Temperature allowable	-40 °C/ +60 °C	
Bundle Weight	10 kg	
Certificate	ITS 03 ATEX 11118X	

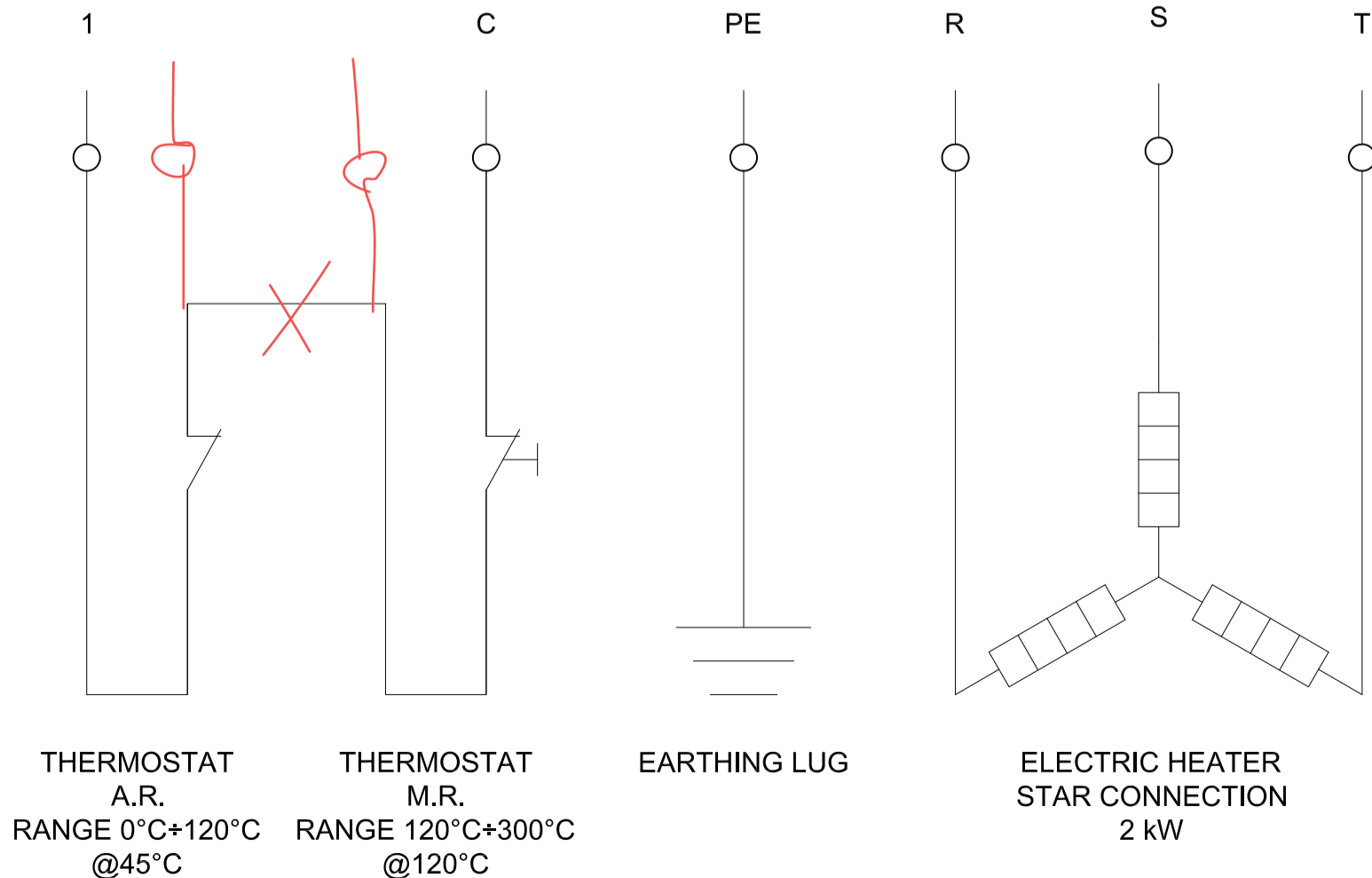
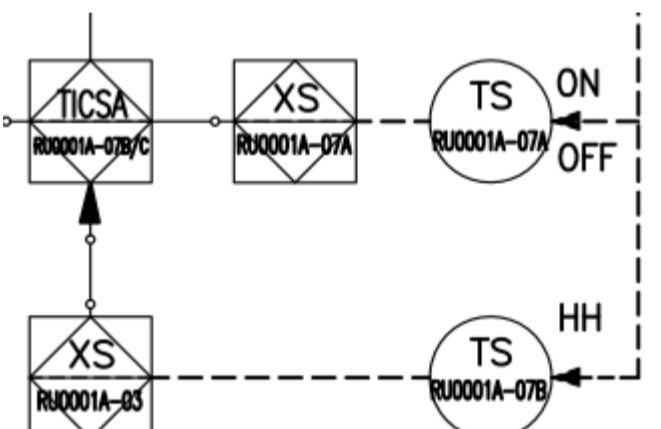
SS or CS? in case of CS below note should be added:
 - Terminal Box C.S. painted as Standard FATI Color: RAL7035

Please provide metric dimension

80*45 + 100*14

Please add tubesheet material to the part list

Not allowed to mix Trip and control status feedback. Foresee separate wiring



POS.	DESCRIZIONE	Q.tà	MATERIALI	CERT.	DIMENSIONI	NOTE
8	EARTHING LUG	1	ST.ST. 304	C	M6	
7	NAMEPLATE	1	ST.ST. 316L	C	80x45 - Thk.0.5 mm	
6	INSTRUMENT CABLE ENTRY	1	C.S.	C	1/2" NPT	
5	POWER CABLE ENTRY	1	C.S.	C	3/4" NPT	
4	THERMOWELL	1	SA 249 TP304L	B	Ø10x1 - L=485 mm	
3	HEATING ELEMENT	3	SA 249 TP304L	B	Ø8.5x1 - L=720 mm	
2	PLUG	1	ST.ST. 304L	C	1 1/2 NPT	
1	TERMINAL BOX	1	C.S.	C	100/D - Ex db IIB T3 Gb IP65	

ELENCO MATERIALI		
A	MATERIALE CON CERT. 3.2 EN10204/2005 Material with cert. 3.2 EN10204/2005	MATERIALE CON CERT. 3.1 EN10204/2005 Material with cert. 3.1 EN10204/2005

N° UNITA' N. of unit	2	N° DI FABBRICA Serial Number	148B24-149B24
----------------------	---	------------------------------	---------------

DELTA GMBH

0	ISSUE FOR APPROVAL	09/07/2024	POSA	FEDELI	FEDELI
---	--------------------	------------	------	--------	--------

F.A.T.I. srl

ELECTRIC HEATER 2 kW BUNDLE DETAIL DRAWING		Dis. N. 240709EP01	Rev. 0
30-OIL HEATER		Scala Scale 1:2.5	Fig. Sh. 1 di 1
Commissa Job 241689		Ordine Order DELTA-FATI-2024-PO-200	