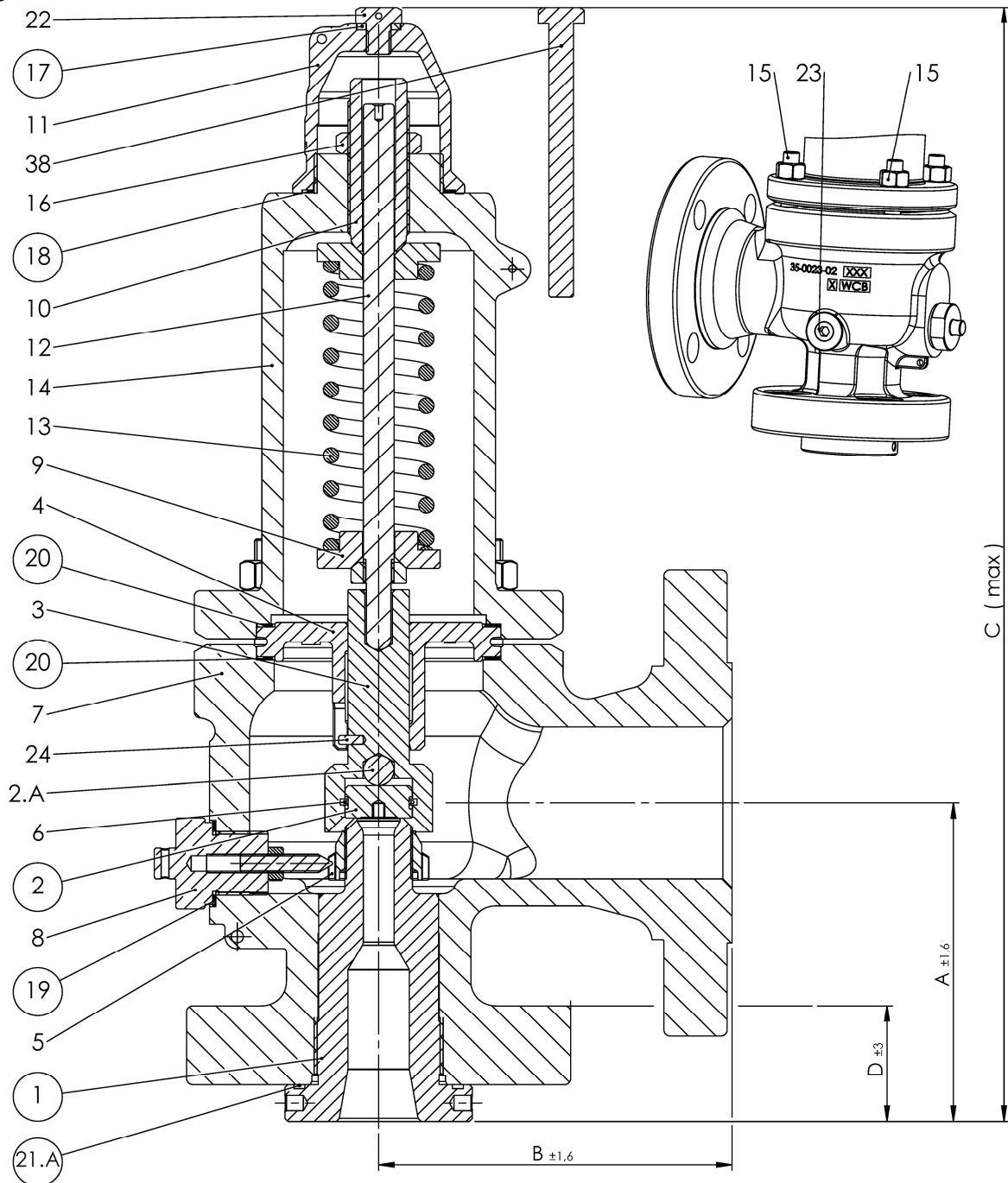


○ recommended spare parts

Overall dimensions in accordance with API 526



Flange dimensions as per ASME B16.5 except for inlet flange thickness that may be higher than minimum specified.

technical VIGORANTE - MI - ITALY	Connections ASME B16.5			Dimensions (mm)						Orifice / area cm ²	Weight
	INLET	OUTLET	RF	A	B	C max	D	E	F	E	Kg
	1" 300 RF	2" 150 RF		105	115	380	37,5				1,389
Model 3A0-E23-BW			Tag PSV-RU0001A-03 PSV-RU0001B-03						Job. n° 24/2385		
Customer DELTA GmbH			Order. n° DELTA-TECHNICAL-2024-PO-200						Doc. n° 24/2385_DWG_1		
Type:											
0	20/09/2024	ISSUED for ORDER						PERACCHI M.	DI VIRGILIO L.	BIANCHI R.	
Rev.	Date	Description						Prepared	Checked	Approved	

