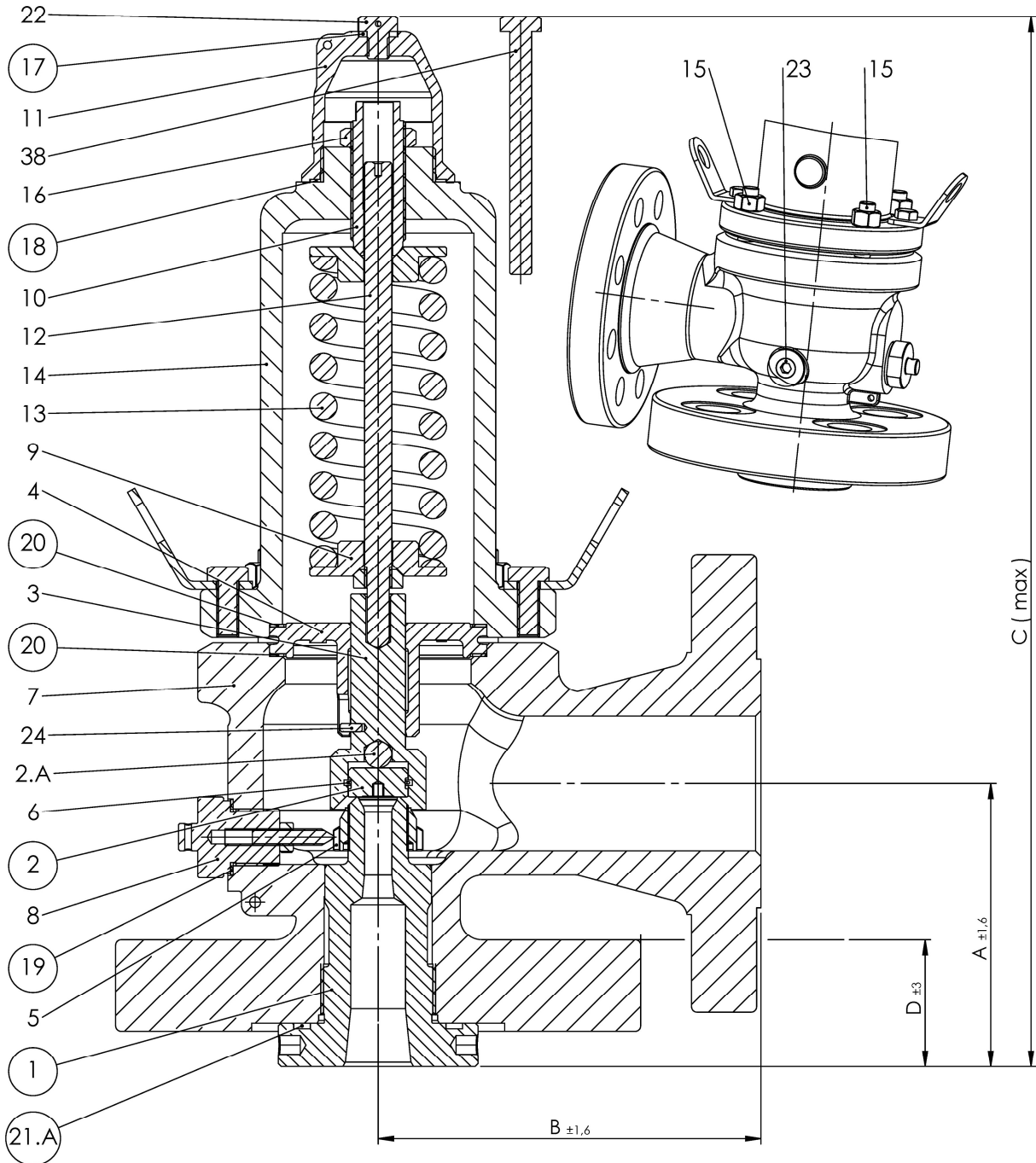


○ recommended spare parts

Overall dimensions in accordance with API 526



Flange dimensions as per ASME B16.5 except for inlet flange thickness that may be higher than minimum specified.

Connections	ASME B16.5			Dimensions ( mm )						Orifice / area cm <sup>2</sup>	Weight
	INLET	OUTLET	RF	A	B	C max	D	E	F	F	Kg
1½" 300 RF	2" 150 RF			124	152	435	40			2,164	21
Model <b>3A0-FA3-BW</b>				Tag PSV-RU0001A-02						Job.n°	
Customer <b>DELTA GmbH</b>				Order. n° <b>DELTA-TECHNICAL-2024-PO-200</b>						Doc. n° <b>24/2385_DWG_2</b>	
Type:	0	20/09/2024	ISSUED for ORDER					PERACCHI M.	DI VIRGILIO L.	BIANCHI R.	
Rev.		Date	Description					Prepared	Checked	Approved	

Please corrected to 02

Type: FA 1½" 300 RF

**technical**  
VIRGILIO - MI - ITALY

