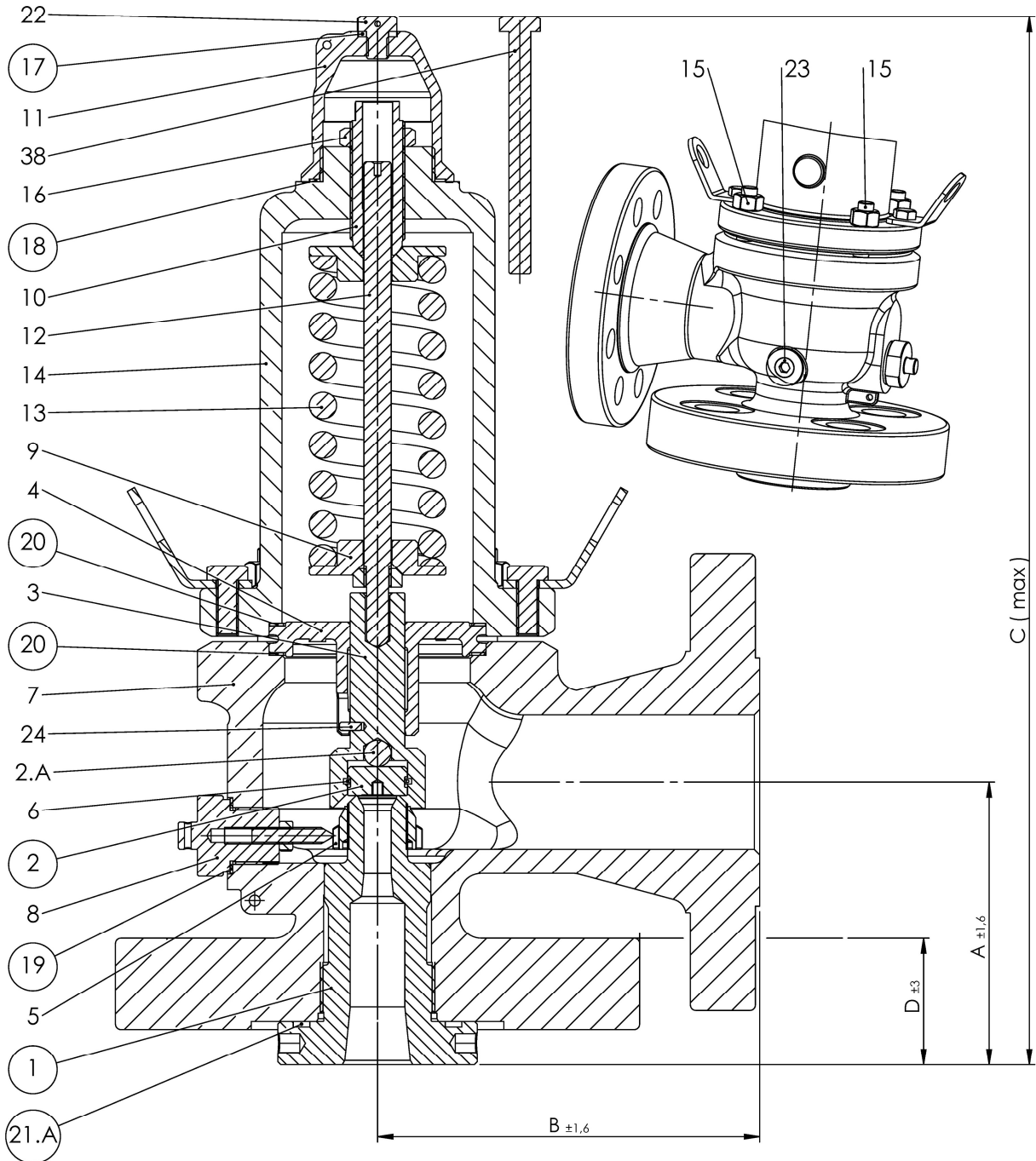


○ recommended spare parts

Overall dimensions in accordance with API 526



Flange dimensions as per ASME B16.5 except for inlet flange thickness that may be higher than minimum specified.

technical VIRGILIO - MI - ITALY	Connections ASME B16.5			Dimensions ( mm )						Orifice / area cm <sup>2</sup>	Weight
	INLET	OUTLET	RF	A	B	C max	D	E	F	F	Kg
	1½" 300 RF	2" 150 RF		124	152	435	40				2,164
Model	3A0-FA3-BW			Tag PSV-RU0001A-02 PSV-RU0001B-0						Job. n° 24/2385	
Customer	DELTA GmbH			Order. n° DELTA-TECHNICAL-2024-PO-200						Doc. n° 24/2385_DWG_2	
Type:	0	20/09/2024	ISSUED for ORDER					PERACCHI M.	DI VIRGILIO L.	BIANCHI R.	
Rev.	Date	Description						Prepared	Checked	Approved	

Type: FA 1½" 300 RF

