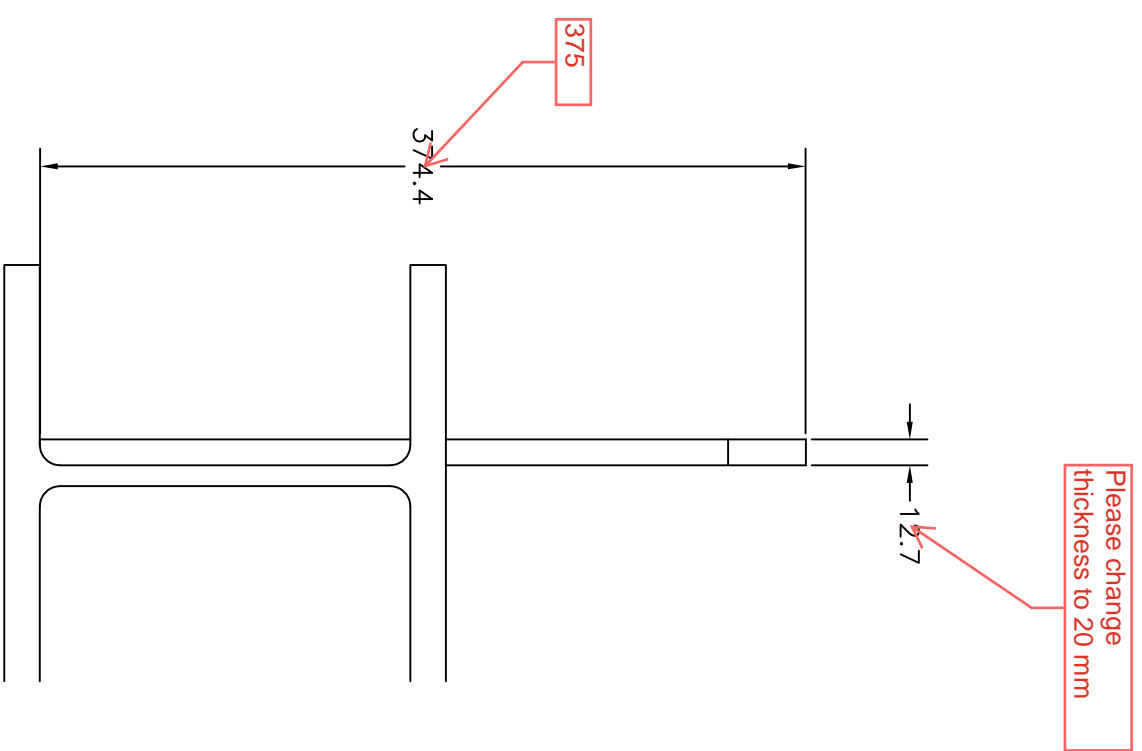
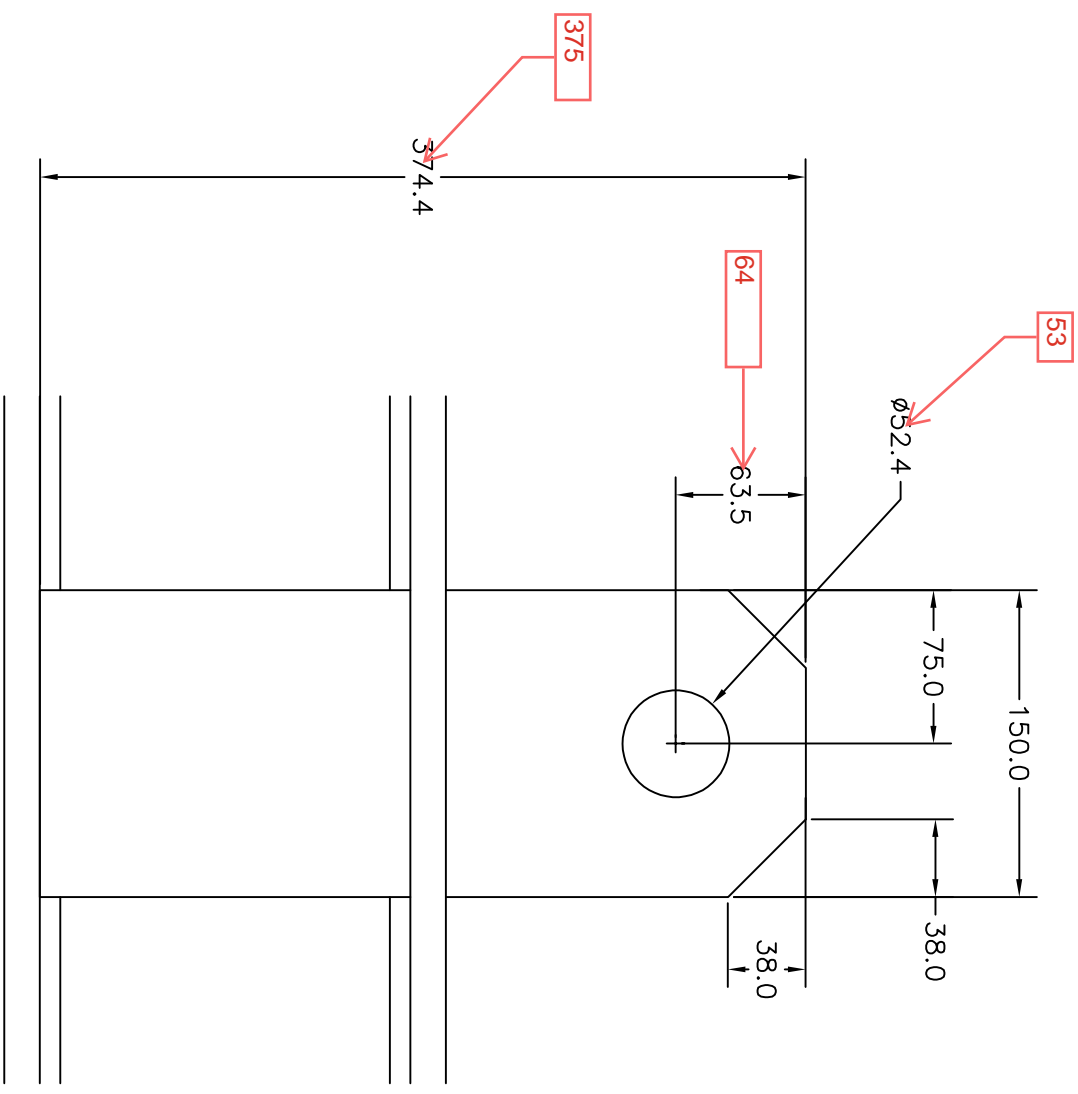


NOTES:
1. MATERIAL TO BE USED ASTM A516 Gr.70.



REV.	STATUS	DATE	PURPOSE OF ISSUE	PREP.	CHKD.	APPD.	AUTH.
0	F	11.10.24	FOR APPROVAL	AJD	AJD	IES	SES

DESIGNER: **ENG. TAREK ABU**
 CHECKER: **ENG. TAREK ABU**
 APPROVED: **ENG. TAREK ABU**

Customer No. **ENER-MME-2024-100-001** SCALE

DRAWING TITLE: **LIFTING LUG DETAILS**

DRAWING NO.	REV.	SHEET No.	SIZE
MPE007-50021	0	1 OF 1	D