

**ΜΑΥΕΚΑΨΑ**  
**MYCOM**



# Oil Pumps

**MP & FP Series**

**M50P/M60P/M80P/M100P/  
M125P/FP50/FP60**

# Oil Pumps MP & FP Series

## Double Helical Screw Type Oil Pumps



MYCOM oil pumps are gear mesh type which employ a screw rotor design. They are suitable for screw compressor lubrication systems.

### SPECIAL FEATURES

- Longer life
- Industry proven durability with no thrust load screw gear structure
- Low noise, low vibration
- With integral pressure-regulating valve which creates an uncomplicated lube system (the relief valve can cover up to 50% of the total flow)
- Open type (MP series) and c-flange type (FP series) are available

### SPECIFICATIONS

Model	M50P	M60P	M80P	M100P	M125P	FP50	FP60
Maximum Speed [rpm]	1750	1750	1750	1450	1150	1750	1750
Minimum Speed [rpm]	950	950	720	720	720	950	950
Rotation *1	CW	CW	CW	CCW	CCW	CCW	CCW
Std Flow Direction *1	R → L	R → L	R → L	R → L	R → L	R → L	R → L
Capacity @50CST [GPM]	17-33	35-68	76-138	112-224	225-357	17-33	35-68
Design Pressure [psig]	377	377	377	377	377	377	377
Max. Outlet Pressure [psig]	362	319	362	362	362	319	319
Min. Inlet Pressure [psig]	-4.3						
Differential Pressure	with Relief Valve	Max. 58 psi					
	w/o Relief Valve	Max. 290 psi					
Max. Inlet Temperature [F] *2	176						
Viscosity of Fluid [cst]	3 - 500						
Oil Strainer Before Pump	≥ 150 μm						

\* 1. Reverse rotation and reverse flow direction is available upon request.  
 \* 2. Higher temperature is available up to 266 deg. F.

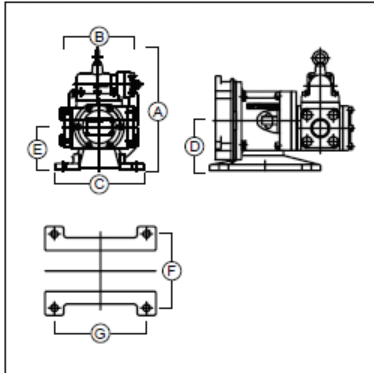
### SPECIAL LINE-UP SPECIFICATIONS

Model	M50PH	M60PH	M80PH	M100PH	M125PH
Design Pressure [psig]	435	N/A	435	435	435
Max. Outlet Pressure [psig] *3	435	N/A	435	435	435
Max. Outlet Pressure [psig] *4	435	N/A	435	435	N/A
Max. Inlet Temperature [F]	266				

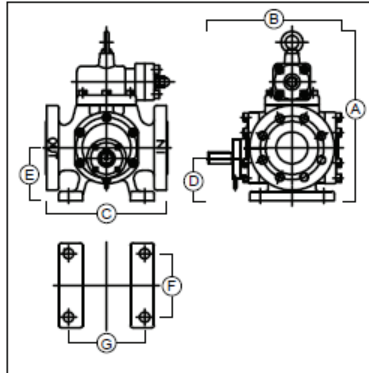
\* 3. Cast iron casing with tandem shaft  
 \* 4. Cast steel casing with tandem shaft. This pump has ANSI#300 flanges available.  
 \*\* All other items are the same as the standard.

# SIZE CHART

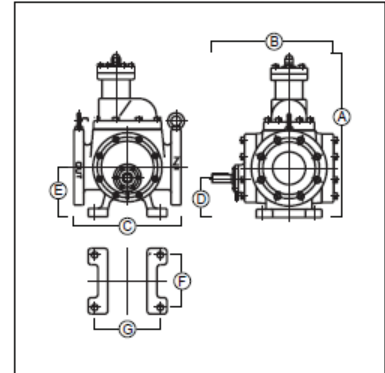
F50P / F60P



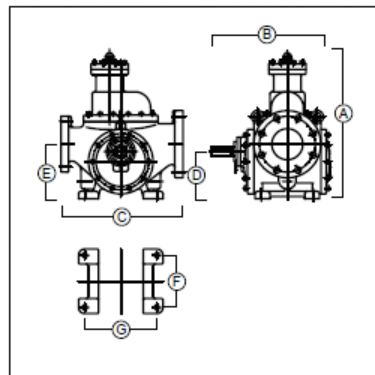
M50P / M60P



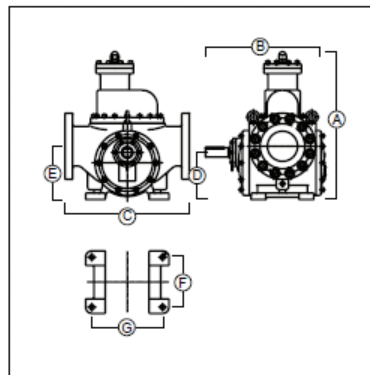
M80P



M100P



M125P



Model	A	B	C	D	E	F	G
F50P/F60P	13"/335mm	24"/601mm	6"/150mm	6"/145mm	5"/125mm	7"/170mm	9"/220mm
M50P	13"/320mm	10"/251mm	9"/230mm	3"/80mm	4"/100mm	5"/120mm	6"/144mm
M60P	13"/330mm	12"/295mm	9"/230mm	3"/80mm	4"/100mm	5"/120mm	6"/144mm
M80P	20"/495mm	15"/382mm	13"/330mm	5"/118mm	6"/150mm	7"/160mm	8"/200mm
M100P	23"/588mm	19"/476mm	20"/490mm	8"/190mm	9"/220mm	9"/210mm	12"/290mm
M125P	28"/709mm	23"/578mm	24"/600mm	9"/225mm	10"/255mm	10"/240mm	14"/340mm

Measurements are in mm [inches].

\* Information shown here is for reference only. Subject to change without notice. Please contact Mayekawa for details.



The information contained herein is for reference only. Subject to change without notice.

**MAYEKAWA**  
**MYCOM**

**MAYEKAWA MIDDLE EAST FZCO**  
**PO 61349, UC05 JAFZA, DUBAI UAE**  
**TEL: +971-4-888-6363 FAX: +971-4-888-6373**  
**sales@mayekawa.ae**