



This document is the property of PEDEC. Any unauthorized attempt to reproduce it, in any form, is strictly prohibited.

|   |   |   |
|---|---|---|
|  | <b>DEHDASHT PETROCHEMICAL INDUSTRY COMPANY</b><br><br><b>DEHDASHT HIGH DENSITY POLYETHYLENE PROJECT</b> |  |
|   | DOCUMENT TITLE: Evaporator Drawing  | POI: IFA  |
| Contract No.: DPIC/98-12  | DOCUMENT No: DPIC9812-000-VD-1002-ME-DWG-0087   | Rev. No.: D1  |

**DOCUMENT TITLE:**

**Evaporator Drawing**

**(E-6101)**

|  |  |                 |                |                 |  |
|--|--|-----------------|----------------|-----------------|--|
| <b>PURCHASER'S COMMENT/APPROVAL STATUS</b> |  |                 |                |                 | Purchaser: NARGAN  |
| 1  | AP: Approved (Released for Manufacturing)                  |                 |                |                 | Requisition No.: DPIC98-12-001-000-ME-MR-4150-0001-D1                                |
| 2  | AN: Approved With Minor Comments (Fabrication may Proceed) |                 |                |                 |  |
| 3  | NF: Approved With Comments (Fabrication not Proceed)       |                 |                |                 | Item No. (Tag No.): PK-6101  |
| 4  | RJ: Rejected   |                 |                |                 |  |
| 5  | NR: Not be Returned  |                 |                |                 | Vendor Doc. No.:DPIC9812-000-VD-1002-ME-DWG-0087-D1                                  |
| Date:                                      |  | Signature:      |                |                 |  |
|  |  |                 |                |                 |  |
|  |  |                 |                |                 |  |
|  |  |                 |                |                 |  |
|  |  |                 |                |                 |  |
| D1   | 06.Feb.2022  | A.VOSOUGH       | DR.A.NEJATI    | DR.A.NEJATI     |  |
| D0   | 23.Dec.21  | A.VOSOUGH       | DR.A.NEJATI    | DR.A.NEJATI     |  |
| <b>REV</b>                                 | <b>DATE ISSUE</b>  | <b>PREPARED</b> | <b>CHECKED</b> | <b>APPROVED</b> |  |



**DEHDASHT PETROCHEMICAL INDUSTRY COMPANY**  
**DEHDASHT HIGH DENSITY POLYETHYLENE PROJECT**



DOCUMENT TITLE: Evaporator Drawing

POI: IFA

Contract No.: DPIC/98-12

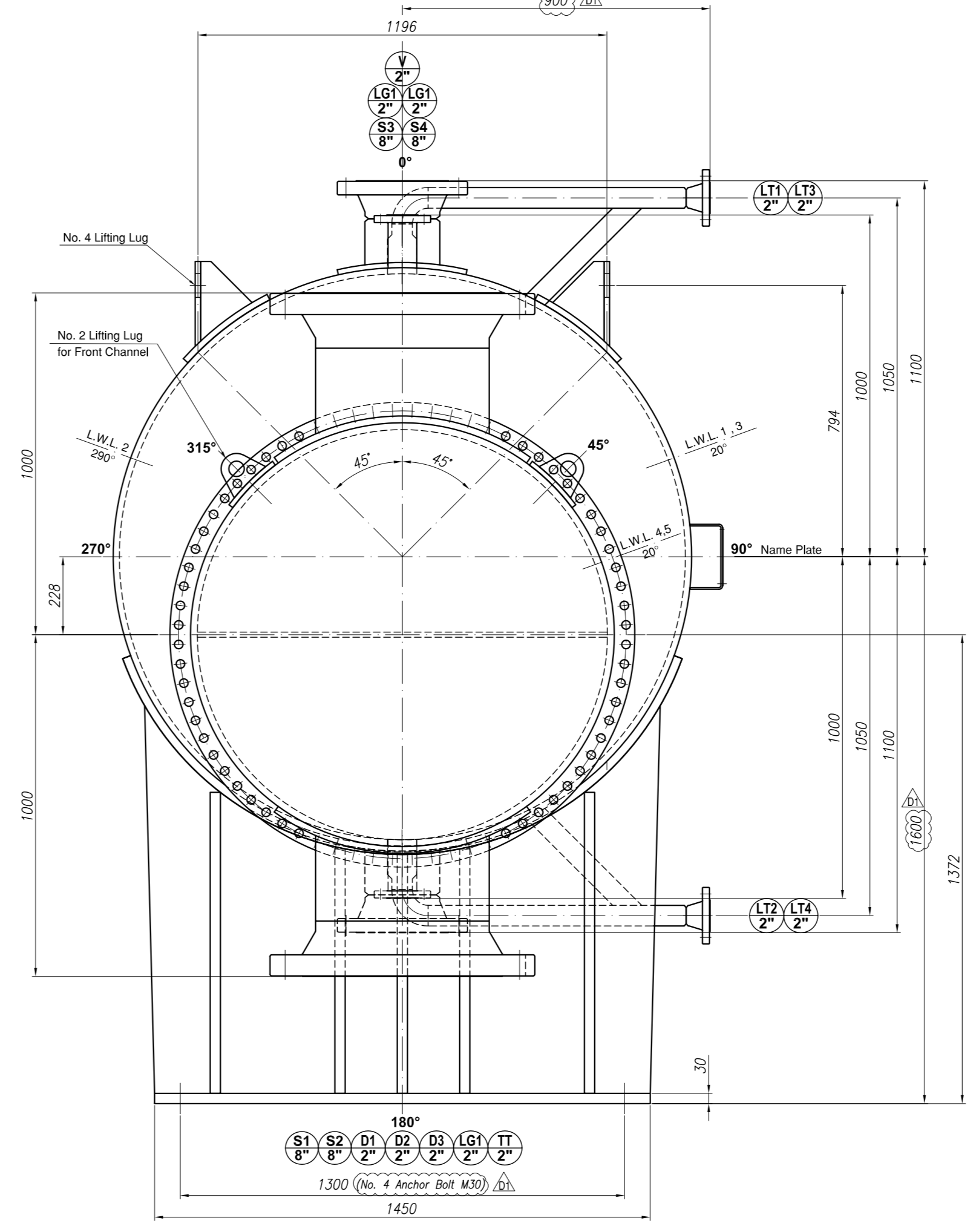
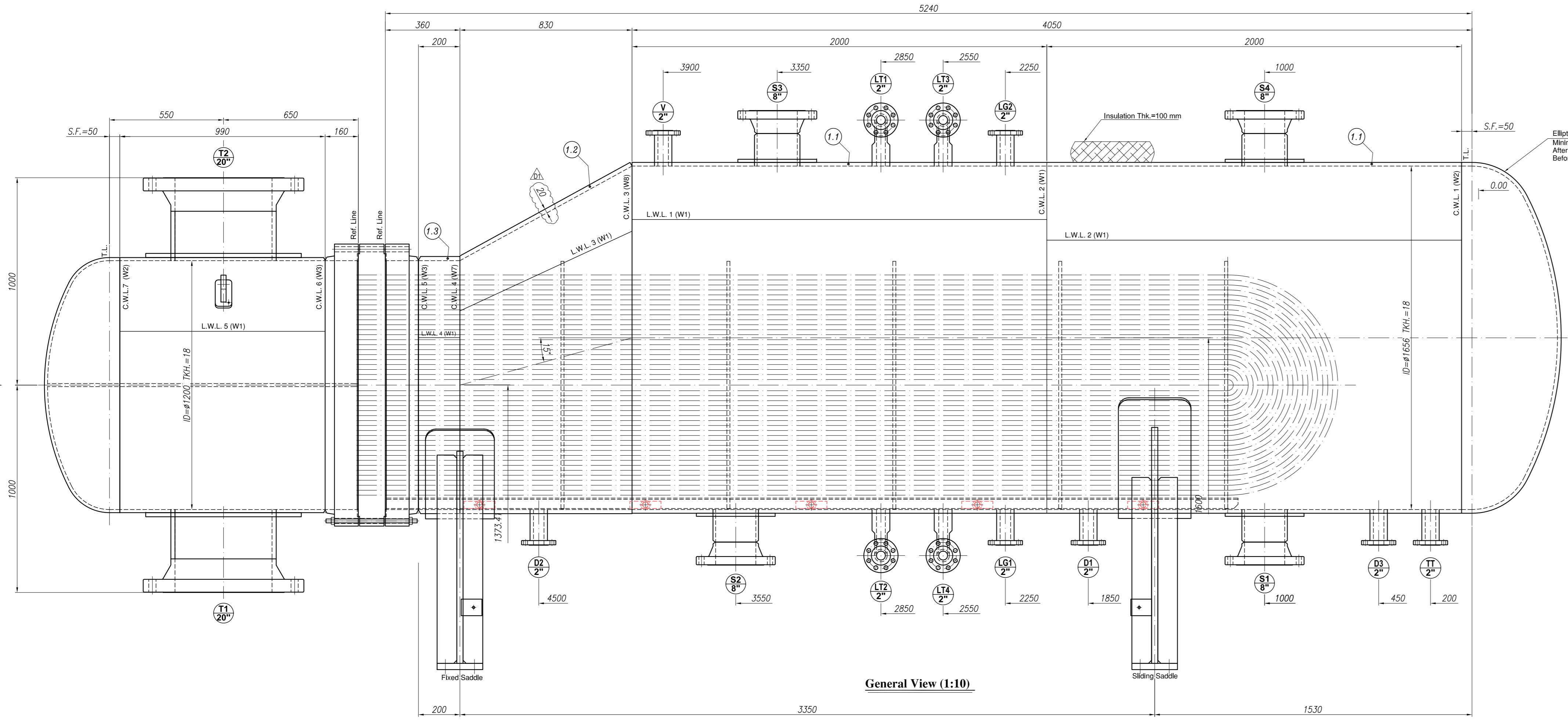
DOCUMENT No: DPIC9812-000-VD-1002-ME-DWG-0087

Rev. No.: D1

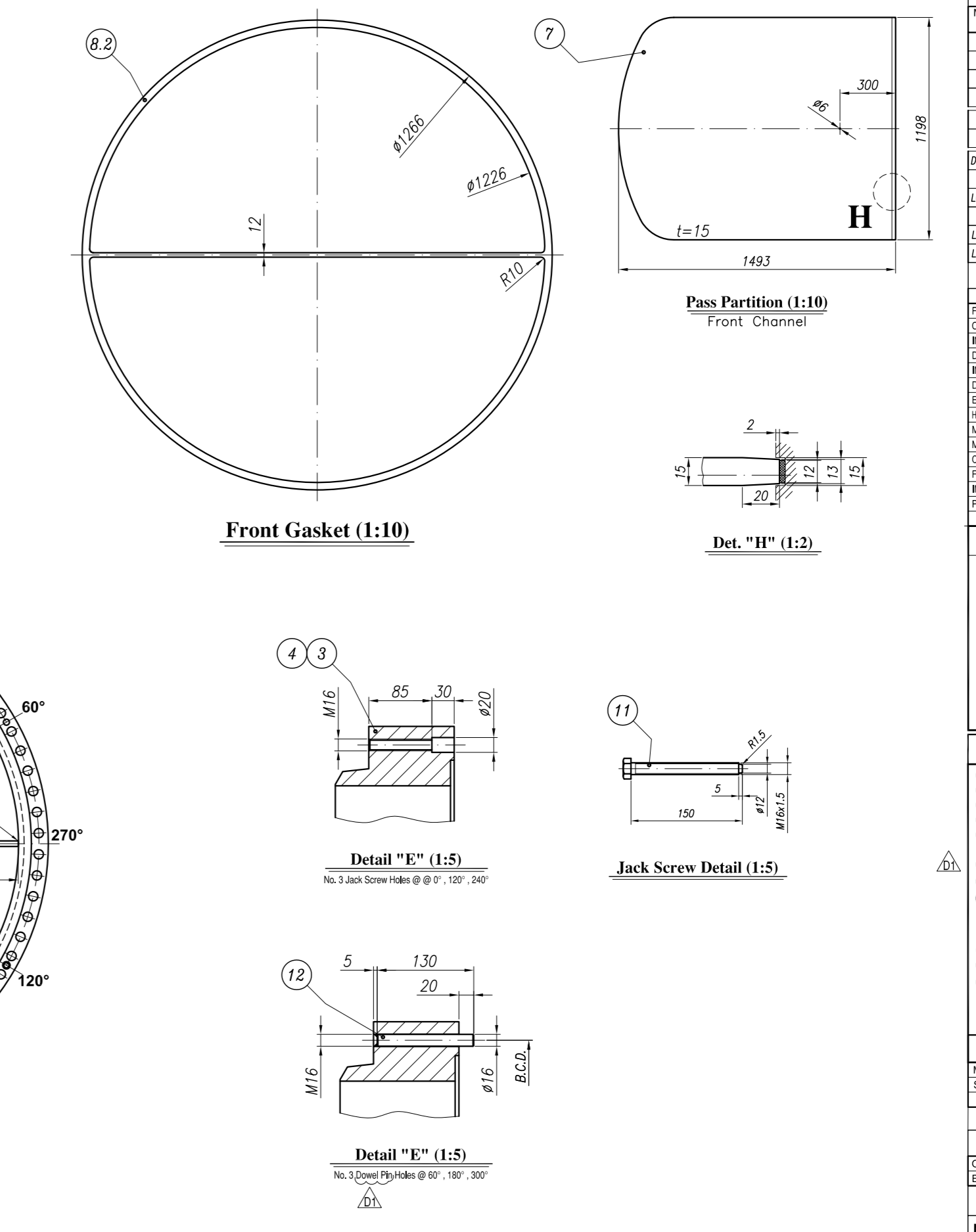
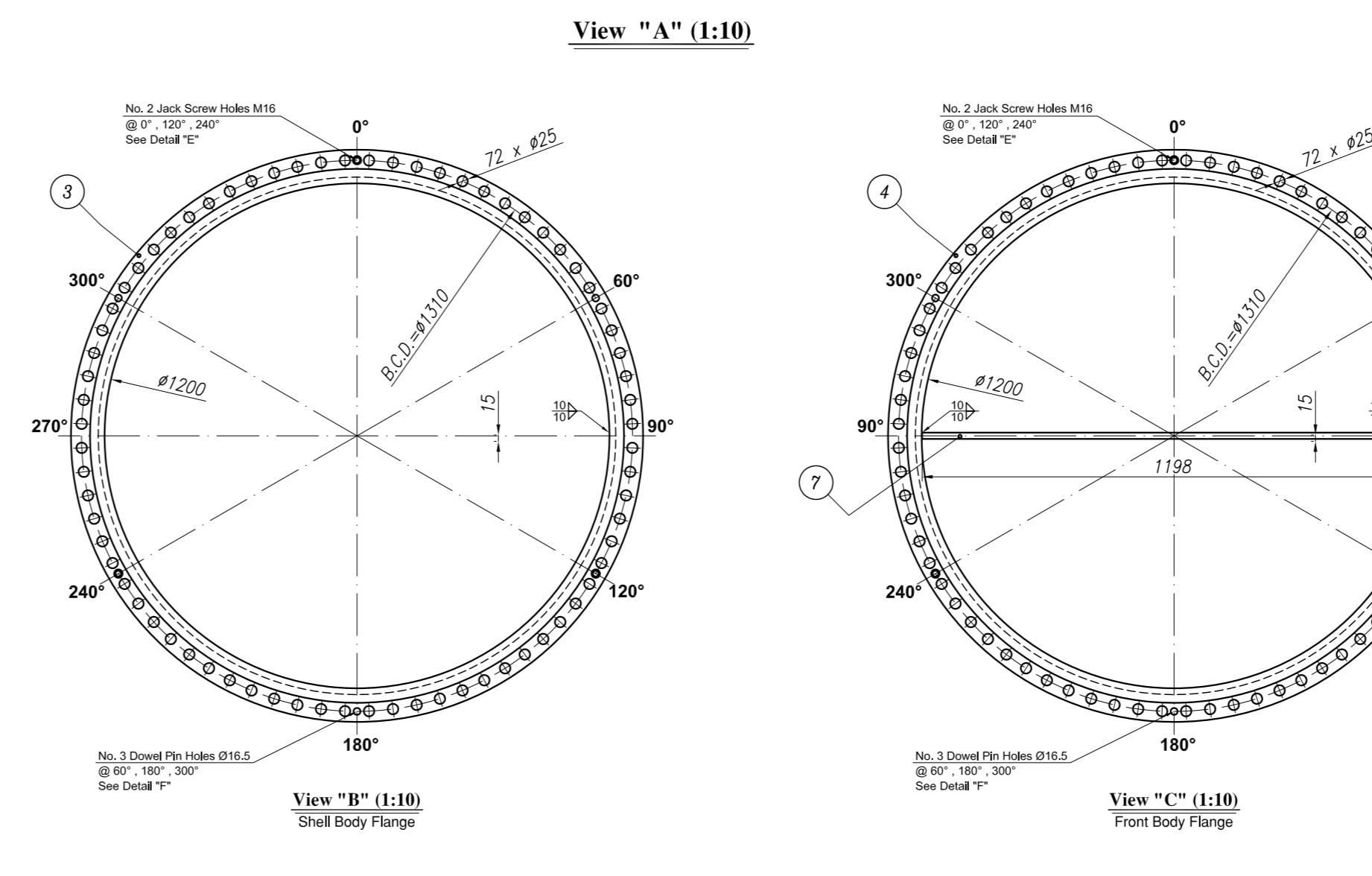
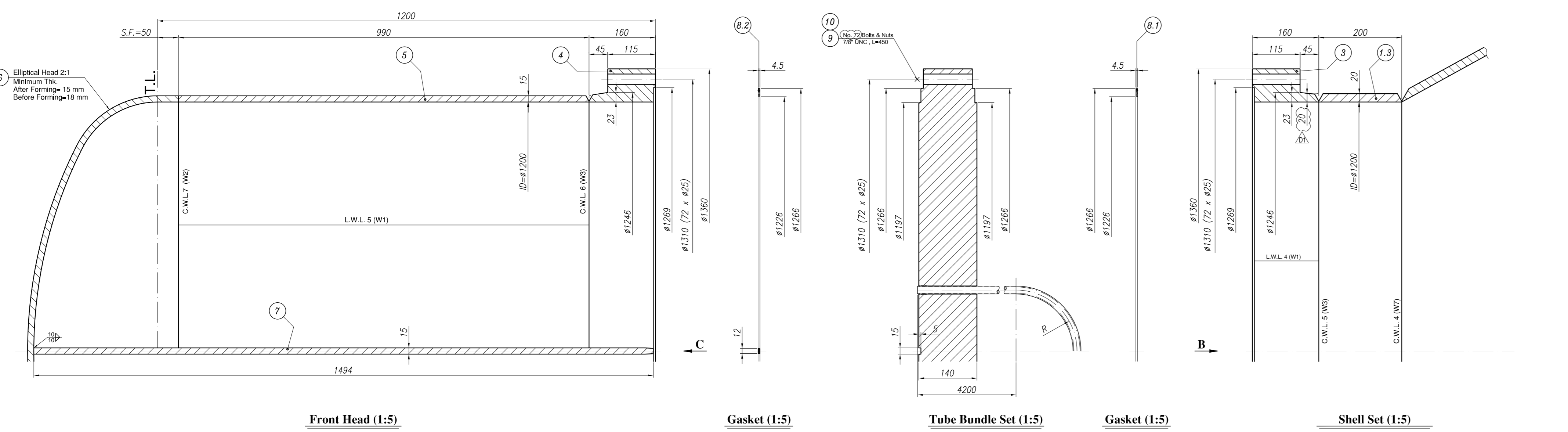
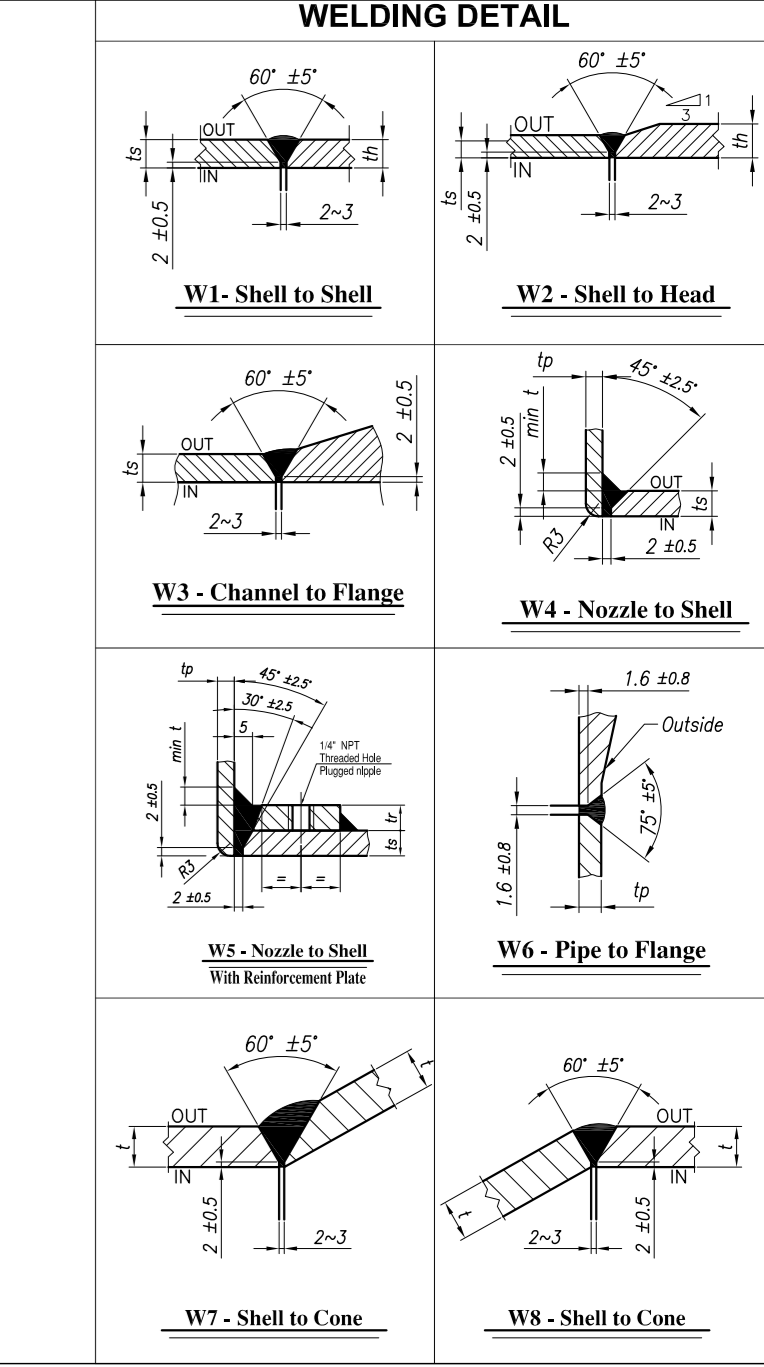
This document is the property of PEDEC. Any unauthorized attempt to reproduce it, in any form, is strictly prohibited.

| Page | Rev-D0 | Rev-D1 | Rev-D2 | Rev-D3 | Rev-D4 |
|------|--------|--------|--------|--------|--------|
| 1    | x      | x      |        |        |        |
| 2    | x      | x      |        |        |        |
| 3    | x      | x      |        |        |        |
| 4    | x      | x      |        |        |        |
| 5    |        |        |        |        |        |
| 6    |        |        |        |        |        |
| 7    |        |        |        |        |        |
| 8    |        |        |        |        |        |
| 9    |        |        |        |        |        |
| 10   |        |        |        |        |        |
| 11   |        |        |        |        |        |
| 12   |        |        |        |        |        |
| 13   |        |        |        |        |        |
| 14   |        |        |        |        |        |
| 15   |        |        |        |        |        |
| 16   |        |        |        |        |        |
| 17   |        |        |        |        |        |
| 18   |        |        |        |        |        |
| 19   |        |        |        |        |        |
| 20   |        |        |        |        |        |
| 21   |        |        |        |        |        |
| 22   |        |        |        |        |        |
| 23   |        |        |        |        |        |
| 24   |        |        |        |        |        |
| 25   |        |        |        |        |        |
| 26   |        |        |        |        |        |
| 27   |        |        |        |        |        |
| 28   |        |        |        |        |        |
| 29   |        |        |        |        |        |
| 30   |        |        |        |        |        |
| 31   |        |        |        |        |        |
| 32   |        |        |        |        |        |
| 33   |        |        |        |        |        |
| 34   |        |        |        |        |        |
| 35   |        |        |        |        |        |

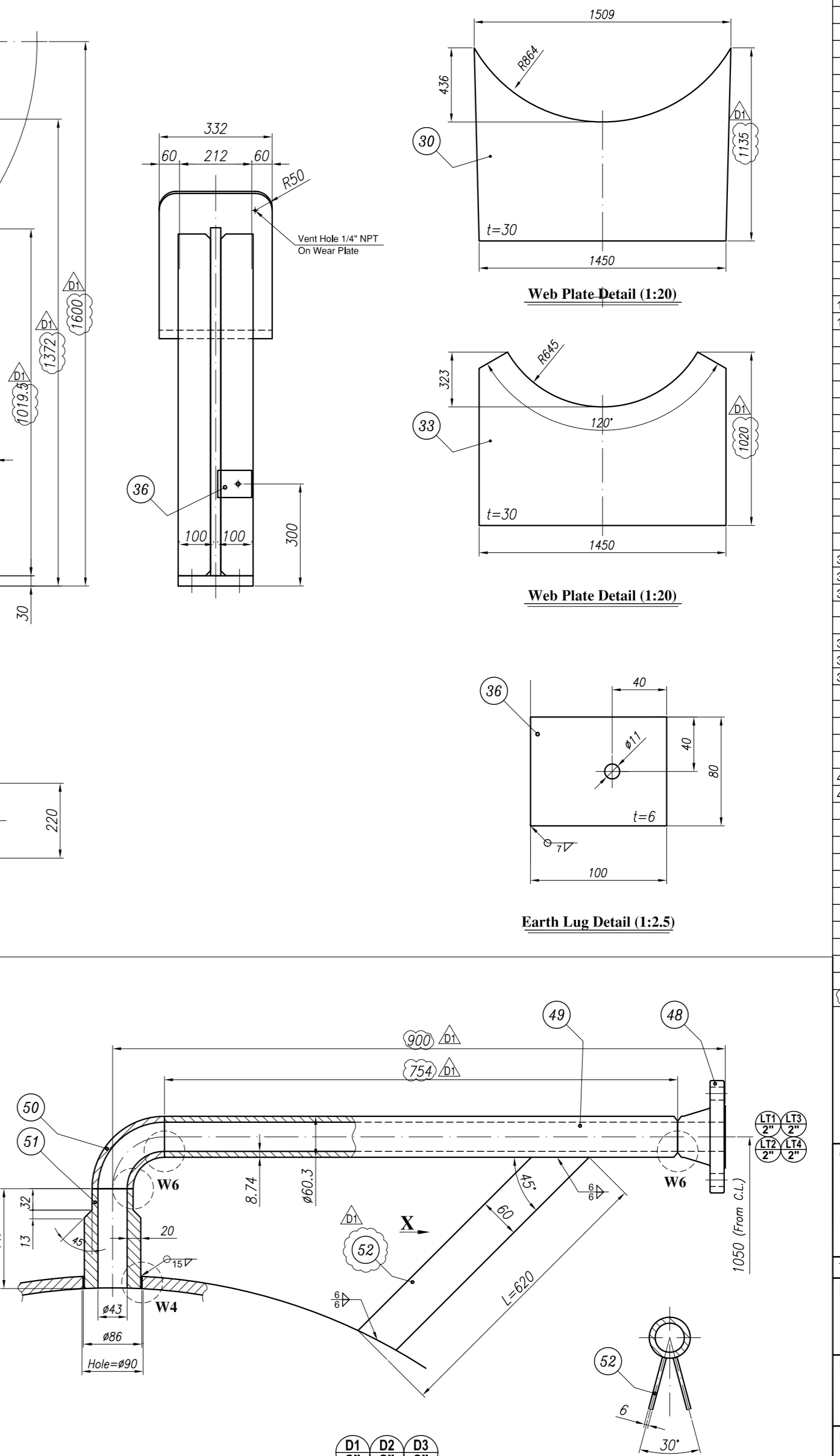
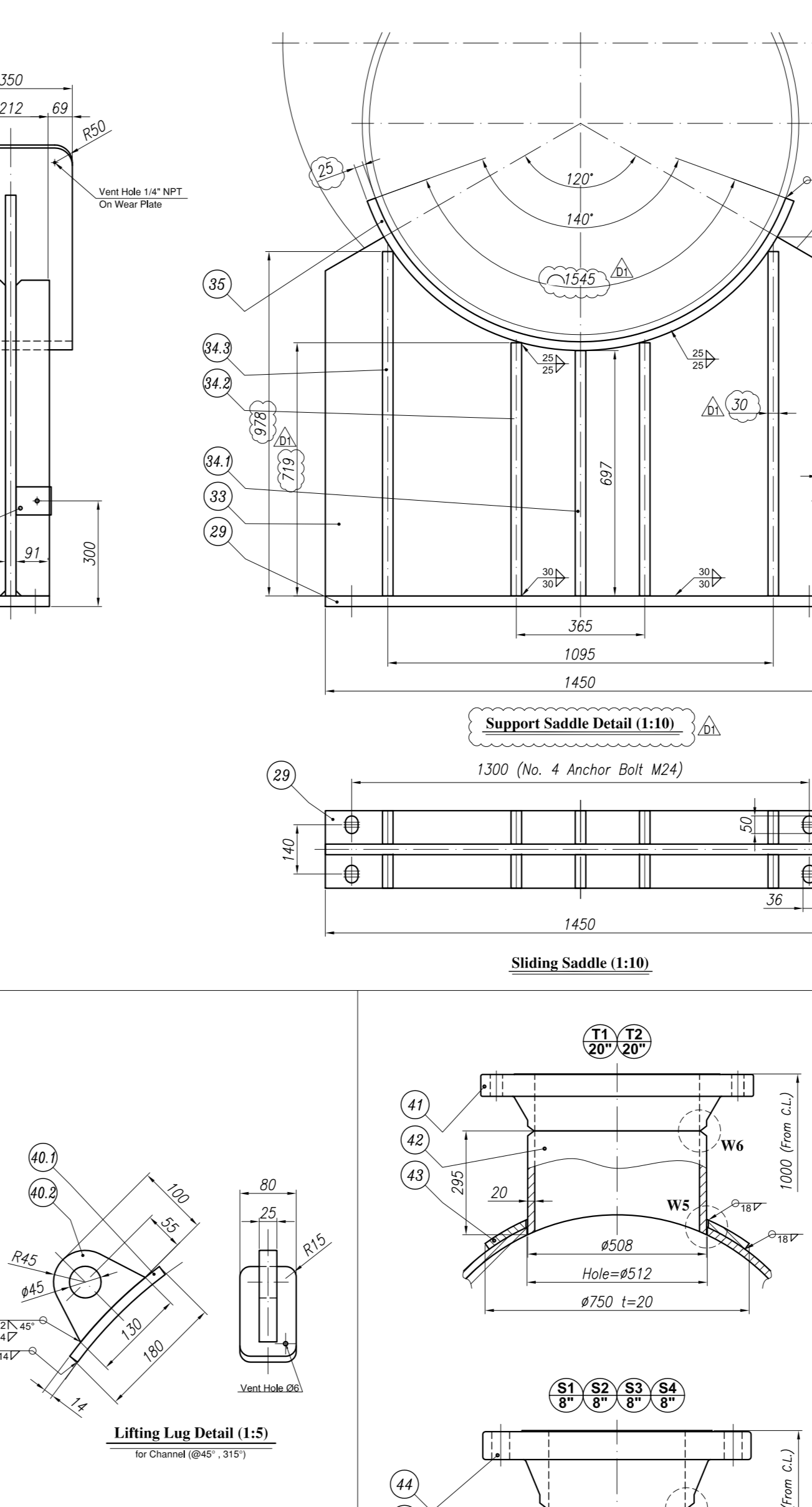
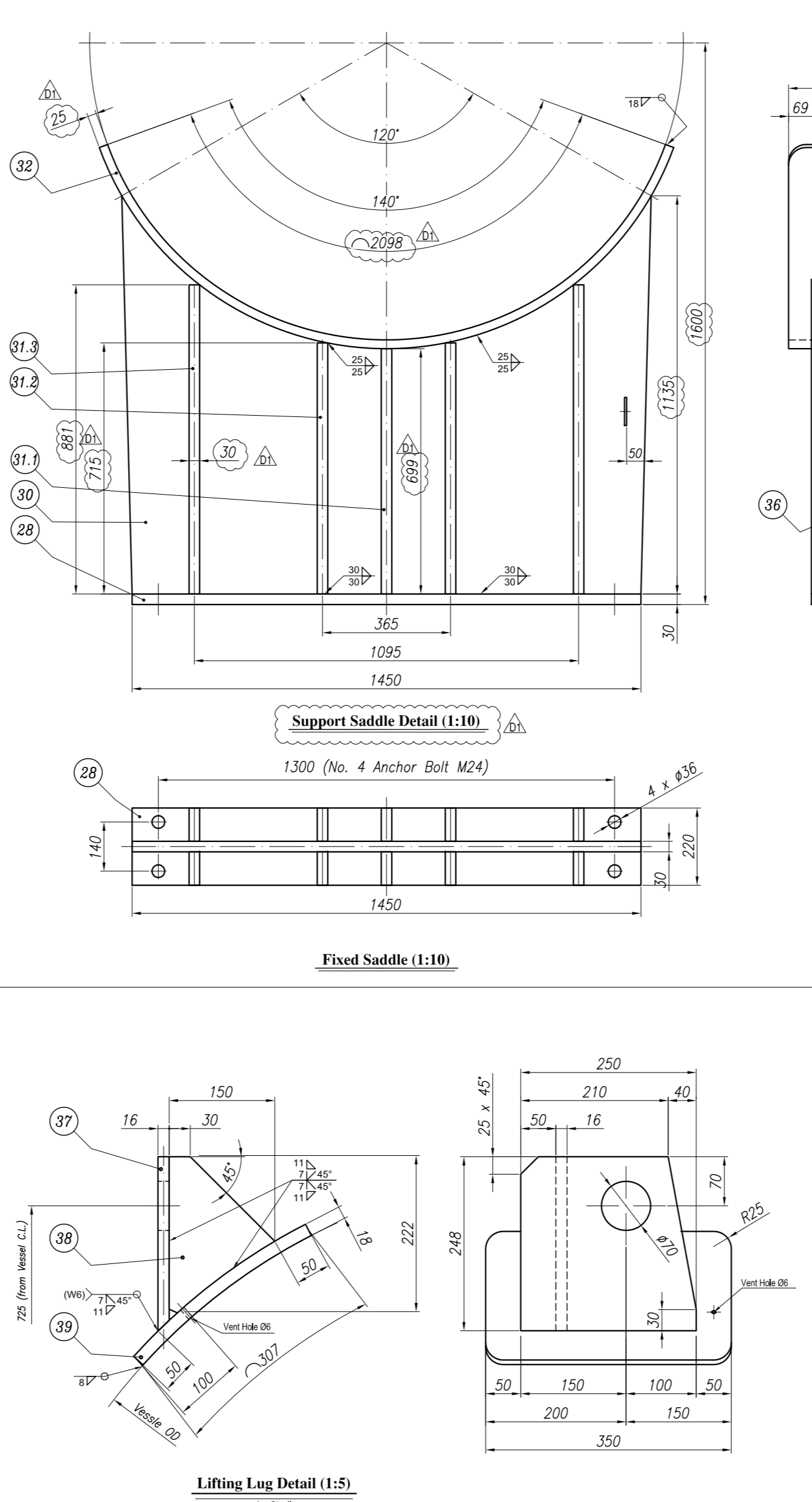
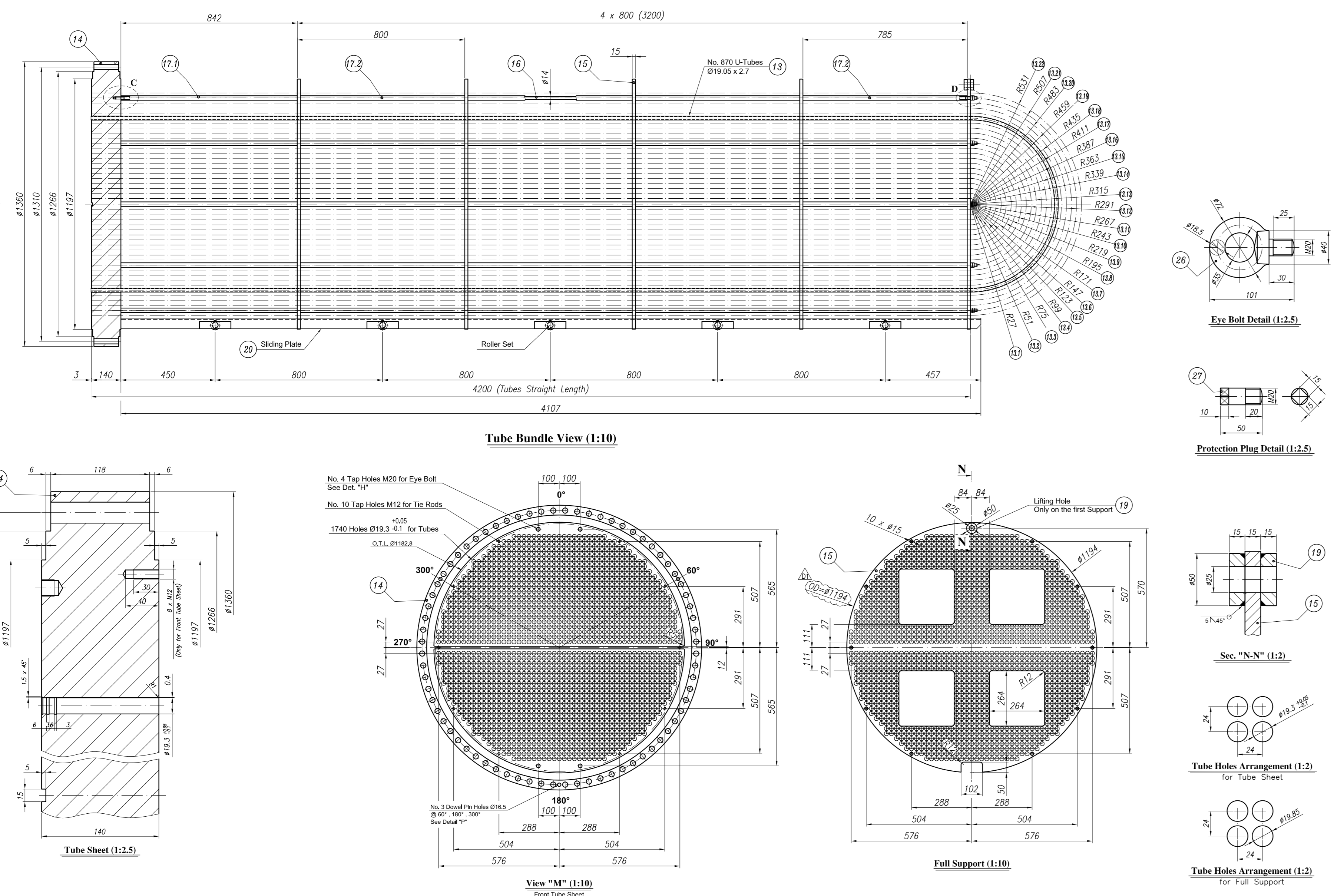
| Page | Rev-D0 | Rev-D1 | Rev-D2 | Rev-D3 | Rev-D4 |
|------|--------|--------|--------|--------|--------|
| 36   |        |        |        |        |        |
| 37   |        |        |        |        |        |
| 38   |        |        |        |        |        |
| 39   |        |        |        |        |        |
| 40   |        |        |        |        |        |
| 41   |        |        |        |        |        |
| 42   |        |        |        |        |        |
| 43   |        |        |        |        |        |
| 44   |        |        |        |        |        |
| 45   |        |        |        |        |        |
| 46   |        |        |        |        |        |
| 47   |        |        |        |        |        |
| 48   |        |        |        |        |        |
| 49   |        |        |        |        |        |
| 50   |        |        |        |        |        |
| 51   |        |        |        |        |        |
| 52   |        |        |        |        |        |
| 53   |        |        |        |        |        |
| 54   |        |        |        |        |        |
| 55   |        |        |        |        |        |
| 56   |        |        |        |        |        |
| 57   |        |        |        |        |        |
| 58   |        |        |        |        |        |
| 59   |        |        |        |        |        |
| 60   |        |        |        |        |        |
| 61   |        |        |        |        |        |
| 62   |        |        |        |        |        |
| 63   |        |        |        |        |        |
| 64   |        |        |        |        |        |
| 65   |        |        |        |        |        |
| 66   |        |        |        |        |        |
| 67   |        |        |        |        |        |
| 68   |        |        |        |        |        |
| 69   |        |        |        |        |        |
| 70   |        |        |        |        |        |



| ITEM  | QTY. | R (mm) | L (mm)  |
|-------|------|--------|---------|
| T3.1  | 49   | R25    | L=8485  |
| T3.2  | 49   | R51    | L=4550  |
| T3.3  | 49   | R75    | L=8636  |
| T3.4  | 47   | R99    | L=8711  |
| T3.5  | 47   | R125   | L=8786  |
| T3.6  | 47   | R147   | L=8852  |
| T3.7  | 47   | R171   | L=8917  |
| T3.8  | 45   | R195   | L=9013  |
| T3.9  | 45   | R219   | L=9088  |
| T3.10 | 45   | R243   | L=9163  |
| T3.11 | 43   | R267   | L=9239  |
| T3.12 | 41   | R291   | L=9314  |
| T3.13 | 41   | R315   | L=9390  |
| T3.14 | 39   | R339   | L=9465  |
| T3.15 | 37   | R363   | L=9540  |
| T3.16 | 35   | R387   | L=9616  |
| T3.17 | 35   | R411   | L=9691  |
| T3.18 | 31   | R435   | L=9767  |
| T3.19 | 29   | R459   | L=9842  |
| T3.20 | 27   | R483   | L=9917  |
| T3.21 | 23   | R507   | L=9993  |
| T3.22 | 19   | R531   | L=10068 |
| TOTAL | 870  |        |         |



| ITEM | QTY. | SIZE           | DESCRIPTION      | REMARKS    |
|------|------|----------------|------------------|------------|
| 1    | 1    | SA 516 Gr. 70N | 2000 x 2000 x 18 | Shell Head |
| 2    | 1    | SA 516 Gr. 70N | 2000 x 3000 x 18 | Shell Head |
| 3    | 1    | SA 516 Gr. 70N | 2000 x 3000 x 18 | Shell Head |
| 4    | 1    | SA 516 Gr. 70N | 2000 x 3000 x 18 | Shell Head |
| 5    | 1    | SA 516 Gr. 70N | 2000 x 3000 x 18 | Shell Head |
| 6    | 1    | SA 516 Gr. 70N | 2000 x 3000 x 18 | Shell Head |
| 7    | 1    | SA 516 Gr. 70N | 2000 x 3000 x 18 | Shell Head |
| 8    | 1    | SA 516 Gr. 70N | 2000 x 3000 x 18 | Shell Head |
| 9    | 1    | SA 516 Gr. 70N | 2000 x 3000 x 18 | Shell Head |
| 10   | 1    | SA 516 Gr. 70N | 2000 x 3000 x 18 | Shell Head |
| 11   | 1    | SA 516 Gr. 70N | 2000 x 3000 x 18 | Shell Head |
| 12   | 1    | SA 516 Gr. 70N | 2000 x 3000 x 18 | Shell Head |
| 13   | 1    | SA 516 Gr. 70N | 2000 x 3000 x 18 | Shell Head |
| 14   | 1    | SA 516 Gr. 70N | 2000 x 3000 x 18 | Shell Head |
| 15   | 1    | SA 516 Gr. 70N | 2000 x 3000 x 18 | Shell Head |
| 16   | 1    | SA 516 Gr. 70N | 2000 x 3000 x 18 | Shell Head |
| 17   | 1    | SA 516 Gr. 70N | 2000 x 3000 x 18 | Shell Head |
| 18   | 1    | SA 516 Gr. 70N | 2000 x 3000 x 18 | Shell Head |
| 19   | 1    | SA 516 Gr. 70N | 2000 x 3000 x 18 | Shell Head |
| 20   | 1    | SA 516 Gr. 70N | 2000 x 3000 x 18 | Shell Head |
| 21   | 1    | SA 516 Gr. 70N | 2000 x 3000 x 18 | Shell Head |
| 22   | 1    | SA 516 Gr. 70N | 2000 x 3000 x 18 | Shell Head |
| 23   | 1    | SA 516 Gr. 70N | 2000 x 3000 x 18 | Shell Head |
| 24   | 1    | SA 516 Gr. 70N | 2000 x 3000 x 18 | Shell Head |
| 25   | 1    | SA 516 Gr. 70N | 2000 x 3000 x 18 | Shell Head |
| 26   | 1    | SA 516 Gr. 70N | 2000 x 3000 x 18 | Shell Head |
| 27   | 1    | SA 516 Gr. 70N | 2000 x 3000 x 18 | Shell Head |
| 28   | 1    | SA 516 Gr. 70N | 2000 x 3000 x 18 | Shell Head |
| 29   | 1    | SA 516 Gr. 70N | 2000 x 3000 x 18 | Shell Head |
| 30   | 1    | SA 516 Gr. 70N | 2000 x 3000 x 18 | Shell Head |
| 31   | 1    | SA 516 Gr. 70N | 2000 x 3000 x 18 | Shell Head |
| 32   | 1    | SA 516 Gr. 70N | 2000 x 3000 x 18 | Shell Head |
| 33   | 1    | SA 516 Gr. 70N | 2000 x 3000 x 18 | Shell Head |
| 34   | 1    | SA 516 Gr. 70N | 2000 x 3000 x 18 | Shell Head |
| 35   | 1    | SA 516 Gr. 70N | 2000 x 3000 x 18 | Shell Head |
| 36   | 1    | SA 516 Gr. 70N | 2000 x 3000 x 18 | Shell Head |
| 37   | 1    | SA 516 Gr. 70N | 2000 x 3000 x 18 | Shell Head |
| 38   | 1    | SA 516 Gr. 70N | 2000 x 3000 x 18 | Shell Head |
| 39   | 1    | SA 516 Gr. 70N | 2000 x 3000 x 18 | Shell Head |
| 40   | 1    | SA 516 Gr. 70N | 2000 x 3000 x 18 | Shell Head |
| 41   | 1    | SA 516 Gr. 70N | 2000 x 3000 x 18 | Shell Head |
| 42   | 1    | SA 516 Gr. 70N | 2000 x 3000 x 18 | Shell Head |
| 43   | 1    | SA 516 Gr. 70N | 2000 x 3000 x 18 | Shell Head |
| 44   | 1    | SA 516 Gr. 70N | 2000 x 3000 x 18 | Shell Head |
| 45   | 1    | SA 516 Gr. 70N | 2000 x 3000 x 18 | Shell Head |
| 46   | 1    | SA 516 Gr. 70N | 2000 x 3000 x 18 | Shell Head |
| 47   | 1    | SA 516 Gr. 70N | 2000 x 3000 x 18 | Shell Head |
| 48   | 1    | SA 516 Gr. 70N | 2000 x 3000 x 18 | Shell Head |
| 49   | 1    | SA 516 Gr. 70N | 2000 x 3000 x 18 | Shell Head |
| 50   | 1    | SA 516 Gr. 70N | 2000 x 3000 x 18 | Shell Head |



| NO. | PART NAME  | MATERIAL       | QUANTITY | REMARKS |
|-----|------------|----------------|----------|---------|
| 1   | Shell Head | SA 516 Gr. 70N | 1        |         |
| 2   | Shell Head | SA 516 Gr. 70N | 1        |         |
| 3   | Shell Head | SA 516 Gr. 70N | 1        |         |
| 4   | Shell Head | SA 516 Gr. 70N | 1        |         |
| 5   | Shell Head | SA 516 Gr. 70N | 1        |         |
| 6   | Shell Head | SA 516 Gr. 70N | 1        |         |
| 7   | Shell Head | SA 516 Gr. 70N | 1        |         |
| 8   | Shell Head | SA 516 Gr. 70N | 1        |         |
| 9   | Shell Head | SA 516 Gr. 70N | 1        |         |
| 10  | Shell Head | SA 516 Gr. 70N | 1        |         |
| 11  | Shell Head | SA 516 Gr. 70N | 1        |         |
| 12  | Shell Head | SA 516 Gr. 70N | 1        |         |
| 13  | Shell Head | SA 516 Gr. 70N | 1        |         |
| 14  | Shell Head | SA 516 Gr. 70N | 1        |         |
| 15  | Shell Head | SA 516 Gr. 70N | 1        |         |
| 16  | Shell Head | SA 516 Gr. 70N | 1        |         |
| 17  | Shell Head | SA 516 Gr. 70N | 1        |         |
| 18  | Shell Head | SA 516 Gr. 70N | 1        |         |
| 19  | Shell Head | SA 516 Gr. 70N | 1        |         |
| 20  | Shell Head | SA 516 Gr. 70N | 1        |         |
| 21  | Shell Head | SA 516 Gr. 70N | 1        |         |
| 22  | Shell Head | SA 516 Gr. 70N | 1        |         |
| 23  | Shell Head | SA 516 Gr. 70N | 1        |         |
| 24  | Shell Head | SA 516 Gr. 70N | 1        |         |
| 25  | Shell Head | SA 516 Gr. 70N | 1        |         |
| 26  | Shell Head | SA 516 Gr. 70N | 1        |         |
| 27  | Shell Head | SA 516 Gr. 70N | 1        |         |
| 28  | Shell Head | SA 516 Gr. 70N | 1        |         |
| 29  | Shell Head | SA 516 Gr. 70N | 1        |         |
| 30  | Shell Head | SA 516 Gr. 70N | 1        |         |
| 31  | Shell Head | SA 516 Gr. 70N | 1        |         |
| 32  | Shell Head | SA 516 Gr. 70N | 1        |         |
| 33  | Shell Head | SA 516 Gr. 70N | 1        |         |
| 34  | Shell Head | SA 516 Gr. 70N | 1        |         |
| 35  | Shell Head | SA 516 Gr. 70N | 1        |         |
| 36  | Shell Head | SA 516 Gr. 70N | 1        |         |
| 37  | Shell Head | SA 516 Gr. 70N | 1        |         |
| 38  | Shell Head | SA 516 Gr. 70N | 1        |         |
| 39  | Shell Head | SA 516 Gr. 70N | 1        |         |
| 40  | Shell Head | SA 516 Gr. 70N | 1        |         |
| 41  | Shell Head | SA 516 Gr. 70N | 1        |         |
| 42  | Shell Head | SA 516 Gr. 70N | 1        |         |
| 43  | Shell Head | SA 516 Gr. 70N | 1        |         |
| 44  | Shell Head | SA 516 Gr. 70N | 1        |         |
| 45  | Shell Head | SA 516 Gr. 70N | 1        |         |
| 46  | Shell Head | SA 516 Gr. 70N | 1        |         |
| 47  | Shell Head | SA 516 Gr. 70N | 1        |         |
| 48  | Shell Head | SA 516 Gr. 70N | 1        |         |
| 49  | Shell Head | SA 516 Gr. 70N | 1        |         |
| 50  | Shell Head | SA 516 Gr. 70N | 1        |         |

**DEHDAHSHT CHEMICAL INDUSTRY COMPANY**  
**DEHDAHSHT HIGH DENSITY POLYETHYLENE PROJECT**

**EVAPORATOR DRAWING (E-PK1601)**

CLIENT: MC CONTRACTOR: PAKPAC

PRODUCTION: PAKPAC

DOCUMENT NO: DPIC3812-000-VD-1002-ME-DWG-0087

REV. NO. 001

DATE: 10/02/2014

SCALE: AS SHOWN

PROJECT: DEHDAHSHT HIGH DENSITY POLYETHYLENE PROJECT

DRAWING TITLE: EVAPORATOR DRAWING (E-PK1601)

NO. OF SHEETS: 3 OF 3

DESIGNED BY: PAKPAC

CHECKED BY: PAKPAC

APPROVED BY: PAKPAC

DATE: 10/02/2014