






REVISION INDEX																											
Page	D0	D1	D2	D3	D4	D5	D6	D7	Page	D0	D1	D2	D3	D4	D5	D6	D7	Page	D0	D1	D2	D3	D4	D5	D6	D7	
001	X								041									081									
002	X								042									082									
003	X								043									083									
004	X								044									084									
005	X								045									085									
006	X								046									086									
007	X								047									087									
008	X								048									088									
009	X								049									089									
010	X								050									090									
011	X								051									091									
012	X								052									092									
013	X								053									093									
014									054									094									
015									055									095									
016									056									096									
017									057									097									
018									058									098									
019									059									099									
020									060									100									
021									061									101									
022									062									102									
023									063									103									
024									064									104									
025									065									105									
026									066									106									
027									067									107									
028									068									108									
029									069									109									
030									070									110									
031									071									111									
032									072									112									
033									073									113									
034									074									114									
035									075									115									
036									076									116									
037									077									117									
038									078									118									
039									079									119									
040									080									120									

Color	Width
RED	0.10
YEL	0.20
GRN	0.30
CYA	0.40
BLU	0.50
MAG	0.60
WHY	0.20
8	0.10
9	0.10
11	0.10
30	0.10
40	0.10
54	0.10
60	0.10
100	0.10
112	0.10
140	0.10
230	0.10

REFERENCES DOCUMENT									
NOTES									
SPECIFICATION									
LEGEND									
CLIENT:	MC	CONTRACTOR:							
This document is the property of DPIC. Any unauthorized attempt to reproduce it, in any form, is strictly prohibited.									
PROJECT TITLE: DEHDASHT PETROCHEMICAL INDUSTRY COMPANY DEHDASHT HIGH DENSITY POLYETHYLENE PROJECT									
DRAWING TITLE: JUNCTION BOX CONNECTION DIAGRAM									
DOCUMENT No:	DPIC9812-000-VD-1002-ME-DIA-0038	SC. SIZE: A3							
Proj. Code	Area No.	VD	Material Code	PO No.	Disc. Code	Doc. Type	Serial No.	Rev.	Sheet No.
DPIC9812	000	VD	1002	4150	ME	DIA	0038	D0	2 OF 13
PURCHASER'S COMMENT/ APPROVAL STATUS		PURCHASER: NARGAN							
1. AP: Approved (Released for Manufacturing)		REQUISITION NO.: DPIC98-12-001-000-ME-MR-							
2. AM: Approved With Minor Comments (Fabrication may Proceed)		4150-0001-D1							
3. NF: Approved With Comments (Fabrication not Proceed)		ITEM NO. (TAG NO.): PK-6101							
4. RJ: Rejected		Date: XX.XX.XX							
5. NR: Not be Returned		Signature: _____							
Date: XX.XX.XX		VENDOR DOC. NO.: DPIC98-12-000-VD-1002-ME-DIA-0038-D0							
DO 30.Jan.22		ISSUE FOR APPROVAL		RSABBAGHI	A.MALEKINA	DR.A.NEJATI	KASRAVAND CO.		
REV	DATE	DESCRIPTION	PREP'D	CHK'D	APP'D				

TABLE OF CONTENTS								
Page	JUNCTION BOX TAG	TYPE	Page	JUNCTION BOX TAG	TYPE	Page	JUNCTION BOX TAG	TYPE
001	COVER SHEET	-	041			081		
002	REVISION INDEX	-	042			082		
003	TABLE OF CONTENTS	-	043			083		
004	100JAN-01P	ANALOG	044			084		
005	100JAN-02P	ANALOG	045			085		
006	100JAN-03P	ANALOG	046			086		
007	100JAN-04P	ANALOG	047			087		
008	100JAN-05P	ANALOG	048			088		
009	100JDN-01P	DIGITAL	049			089		
010	100JDN-02P	DIGITAL	050			090		
011	100JSN-01P	SOLENOID VALVE	051			091		
012	100JSN-02P	SOLENOID VALVE	052			092		
013	100JSN-03P	SOLENOID VALVE	053			093		
014			054			094		
015			055			095		
016			056			096		
017			057			097		
018			058			098		
019			059			099		
020			060			100		
021			061			101		
022			062			102		
023			063			103		
024			064			104		
025			065			105		
026			066			106		
027			067			107		
028			068			108		
029			069			109		
030			070			110		
031			071			111		
032			072			112		
033			073			113		
034			074			114		
035			075			115		
036			076			116		
037			077			117		
038			078			118		
039			079			119		
040			080			120		

Color	Width
RED	0.10
YEL	0.20
GRN	0.30
CYA	0.40
BLU	0.50
MAG	0.60
WHY	0.20
8	0.10
9	0.10
11	0.10
30	0.10
40	0.10
54	0.10
60	0.10
100	0.10
112	0.10
140	0.10
220	0.10

REFERENCES DOCUMENT																					
NOTES																					
SPECIFICATION																					
LEGEND																					
CLIENT:	MC																				
 <small>Persian Gulf Petrochemical Industries Co.</small>	 <small>Persian Gulf Petrochemical Industries Development Management Company PGPIC</small>																				
 <small>Petropsa Ltd.</small>	 <small>NARGAN</small>																				
<small>This document is the property of DPIC Any unauthorized attempt to reproduce it, in any form, is strictly prohibited</small>																					
PROJECT TITLE: DEHDASHT PETROCHEMICAL INDUSTRY COMPANY DEHDASHT HIGH DENSITY POLYETHYLENE PROJECT																					
DRAWING TITLE: JUNCTION BOX CONNECTION DIAGRAM																					
DOCUMENT No: DPIC9812-000-VD-1002-ME-DIA-0038	SC. SIZE: A3																				
<table border="1"> <thead> <tr> <th>Proj. Code</th> <th>Area No.</th> <th>VD</th> <th>Material Code</th> <th>PO No.</th> <th>Disc. Code</th> <th>Doc. Type</th> <th>Serial No.</th> <th>Rev.</th> <th>Sheet No.</th> </tr> </thead> <tbody> <tr> <td>DPIC9812</td> <td>000</td> <td>VD</td> <td>1002</td> <td>4150</td> <td>ME</td> <td>DIA</td> <td>0038</td> <td>D0</td> <td>3 OF 13</td> </tr> </tbody> </table>	Proj. Code	Area No.	VD	Material Code	PO No.	Disc. Code	Doc. Type	Serial No.	Rev.	Sheet No.	DPIC9812	000	VD	1002	4150	ME	DIA	0038	D0	3 OF 13	
Proj. Code	Area No.	VD	Material Code	PO No.	Disc. Code	Doc. Type	Serial No.	Rev.	Sheet No.												
DPIC9812	000	VD	1002	4150	ME	DIA	0038	D0	3 OF 13												
PURCHASER'S COMMENT/APPROVAL STATUS 1. AP: Approved (Released for Manufacturing) 2. AM: Approved With Minor Comments (Fabrication may Proceed) 3. NF: Approved With Comments (Fabrication not Proceed) 4. RJ: Rejected 5. NR: Not be Returned Date: XX.XX.XX Signature:																					
PURCHASER: NARGAN REQUISITION NO.: DPIC98-12-001-000-ME-MR-4150-0001-D1 ITEM NO. (TAG NO.): PK-6101 VENDOR DOC. NO.: DPIC98-12-000-VD-1002-ME-DIA-0038-D0																					
<table border="1"> <thead> <tr> <th>DO</th> <th>REV</th> <th>DATE</th> <th>DESCRIPTION</th> <th>PREP'D</th> <th>CHK'D</th> <th>APP'D</th> </tr> </thead> <tbody> <tr> <td>30</td> <td>Jan</td> <td>22</td> <td>ISSUE FOR APPROVAL</td> <td>R.SABBAGHI</td> <td>A.MALEKINA</td> <td>D.R.A. NEIATI</td> </tr> </tbody> </table>		DO	REV	DATE	DESCRIPTION	PREP'D	CHK'D	APP'D	30	Jan	22	ISSUE FOR APPROVAL	R.SABBAGHI	A.MALEKINA	D.R.A. NEIATI						
DO	REV	DATE	DESCRIPTION	PREP'D	CHK'D	APP'D															
30	Jan	22	ISSUE FOR APPROVAL	R.SABBAGHI	A.MALEKINA	D.R.A. NEIATI															
 KASRAVAND CO.																					

REFERENCES DOCUMENT	
NOTES	

SPECIFICATION	

LEGEND	

CLIENT:	MC	CONTRACTOR:

This document is the property of DPIC. Any unauthorized attempt to reproduce it, in any form, is strictly prohibited.

PROJECT TITLE:
DEHDASHT PETROCHEMICAL INDUSTRY COMPANY
DEHDASHT HIGH DENSITY POLYETHYLENE PROJECT

DRAWING TITLE:
JUNCTION BOX CONNECTION DIAGRAM

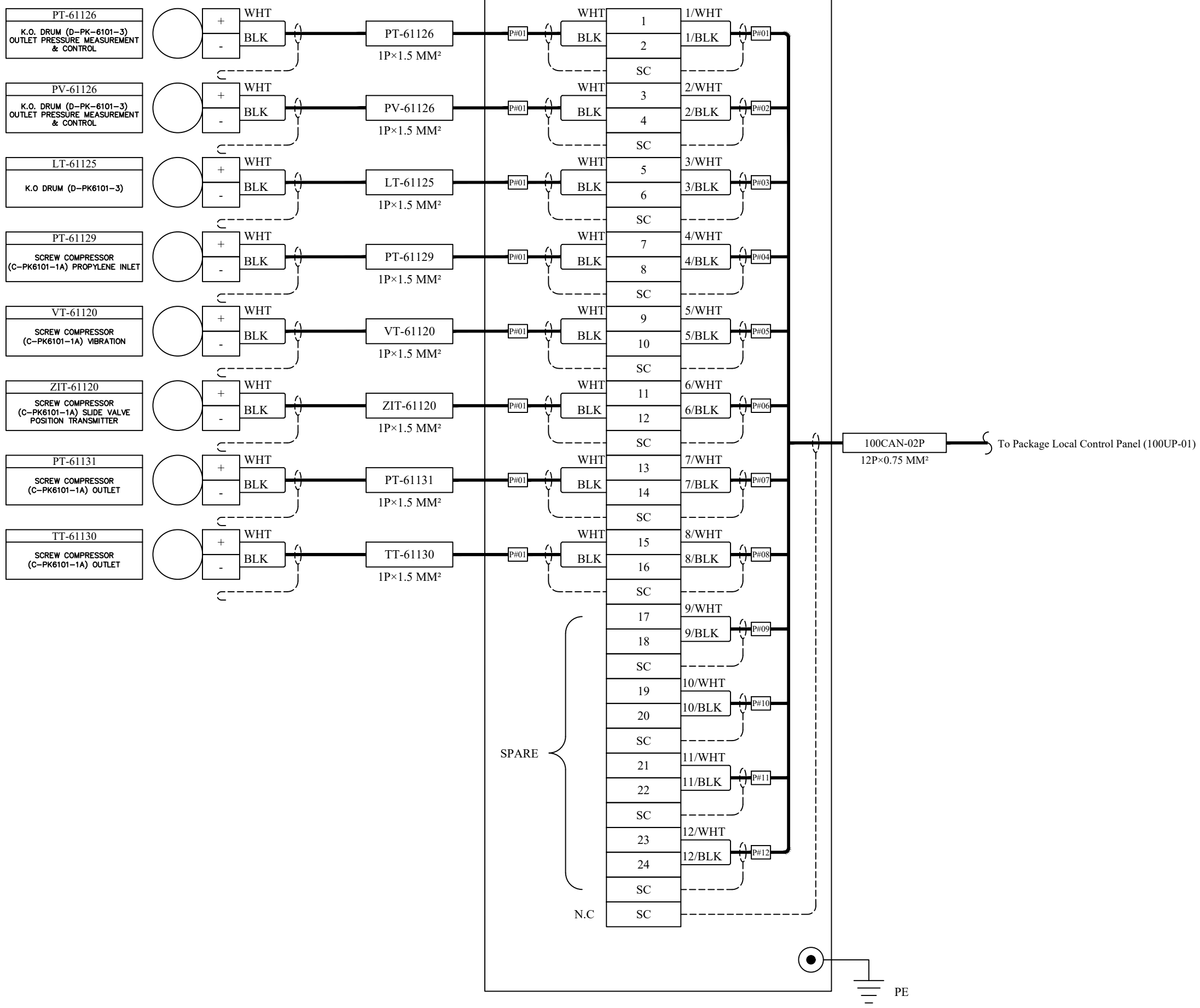
DOCUMENT No: DPIC9812-000-VD-1002-ME-DIA-0038
SC. SIZE: A3

Proj. Code	Area No.	VD	Material Code	PO No.	Disc. Code	Doc. Type	Serial No.	Rev.	Sheet No.
DPIC9812	000	VD	1002	4150	ME	DIA	0038	D0	5 OF 13

PURCHASER'S COMMENT/APPROVAL STATUS		PURCHASER: NARGAN	
1. AP: Approved (Released for Manufacturing)	REQUISITION NO.: DPIC98-12-001-000-ME-MR-		
2. AM: Approved With Minor Comments (Fabrication may Proceed)	REQUISITION NO.: 4150-0001-D1		
3. NF: Approved With Comments (Fabrication not Proceed)	ITEM NO. (TAG NO.): PK-6101		
4. RJ: Rejected	VENDOR DOC. NO.: DPIC98-12-000-VD-1002-		
5. NR: Not be Returned	ME-DIA-0038-D0		
Date: XX.XX.XX	Signature:		

DO	30.Jan.22	ISSUE FOR APPROVAL	RSABBAGHI	A.MALEKINA	DR.A.NEJATI	KASRAVAND CO.
REV	DATE	DESCRIPTION	PREP'D	CHK'D	APP'D	

100JAN-02P



Color	Width
RED	0.10
YEL	0.20
GRN	0.30
CYA	0.40
BLU	0.50
MAG	0.60
WHY	0.20
8	0.10
9	0.10
11	0.10
30	0.10
40	0.10
54	0.10
60	0.10
100	0.10
112	0.10
140	0.10
230	0.10

REFERENCES DOCUMENT	
NOTES	

SPECIFICATION	

LEGEND	

CLIENT:	MC	CONTRACTOR:

This document is the property of DPIC. Any unauthorized attempt to reproduce it, in any form, is strictly prohibited.

PROJECT TITLE:
DEHDASHT PETROCHEMICAL INDUSTRY COMPANY
DEHDASHT HIGH DENSITY POLYETHYLENE PROJECT

DRAWING TITLE:
JUNCTION BOX CONNECTION DIAGRAM

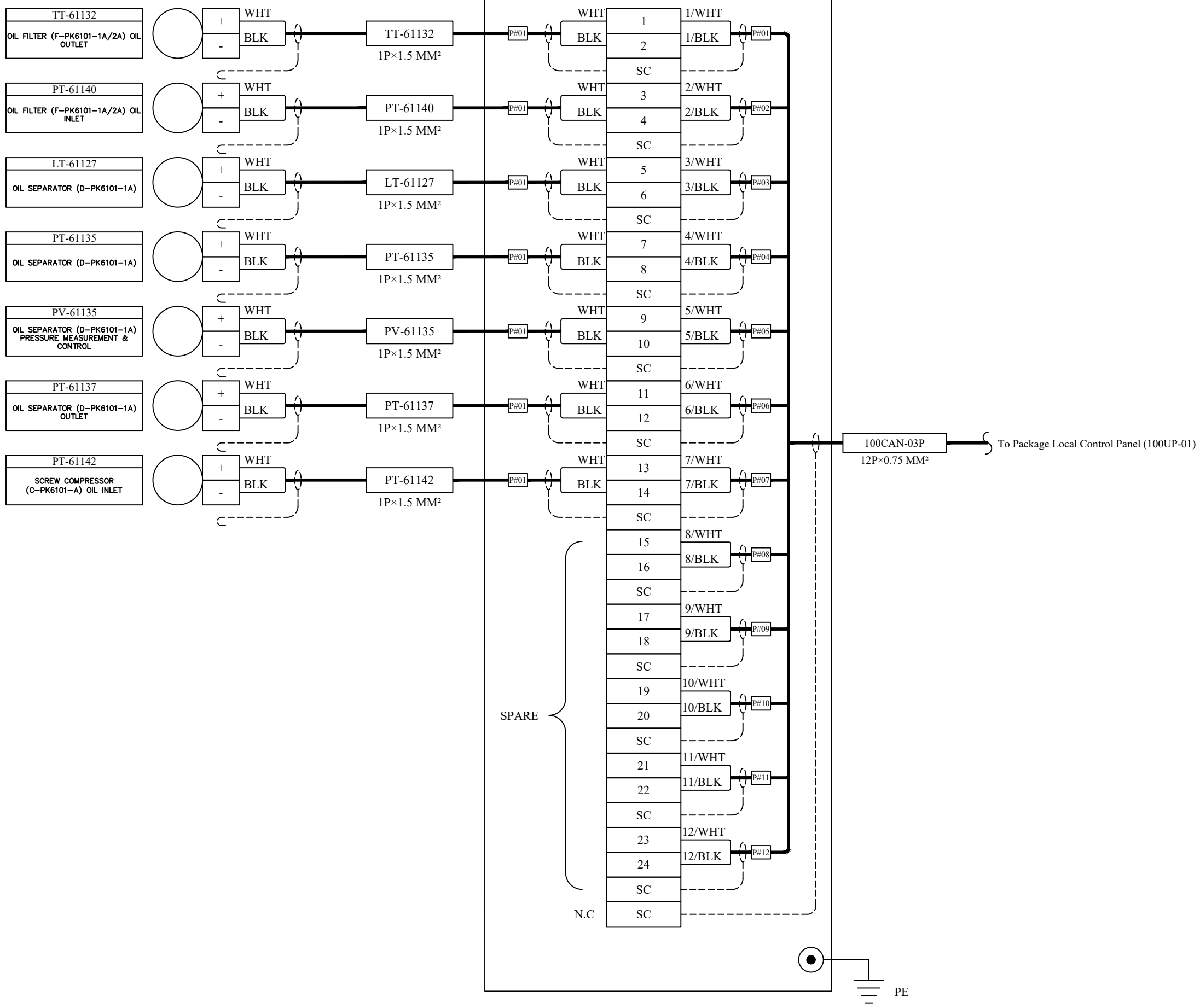
DOCUMENT No: DPIC9812-000-VD-1002-ME-DIA-0038
SC. SIZE: A3

Proj. Code	Area No.	VD	Material Code	PO No.	Disc. Code	Doc. Type	Serial No.	Rev.	Sheet No.
DPIC9812	000	VD	1002	4150	ME	DIA	0038	D0	6 OF 13

PURCHASER'S COMMENT/APPROVAL STATUS		PURCHASER: NARGAN
1. AP: Approved (Released for Manufacturing)	2. AM: Approved With Minor Comments (Fabrication may Proceed)	REQUISITION NO.: 4150-0001-D1
3. NF: Approved With Comments (Fabrication not Proceed)	4. RJ: Rejected	ITEM NO. (TAG NO.): PK-6101
5. NR: Not be Returned	Date: XX.XX.XX	VENDOR DOC. NO.: DPIC98-12-000-VD-1002-ME-DIA-0038-D0

DO	30.Jan.22	ISSUE FOR APPROVAL	RSABBAGHI	A.MALEKINA	DR.A.NEJATI	KASRAVAND CO.
REV	DATE	DESCRIPTION	PREP'D	CHK'D	APP'D	

100JAN-03P







Color	Width
RED	0.10
YEL	0.20
GRN	0.30
CYA	0.40
BLU	0.50
MAG	0.60
WHY	0.20
8	0.10
9	0.10
11	0.10
30	0.10
40	0.10
54	0.10
60	0.10
100	0.10
112	0.10
140	0.10
230	0.10

REFERENCES DOCUMENT	
NOTES	

SPECIFICATION	

LEGEND	

CLIENT: 	MC 	CONTRACTOR:  
--	---	--

This document is the property of DPIC. Any unauthorized attempt to reproduce it, in any form, is strictly prohibited.

PROJECT TITLE:
DEHDASHT PETROCHEMICAL INDUSTRY COMPANY
DEHDASHT HIGH DENSITY POLYETHYLENE PROJECT

DRAWING TITLE:
JUNCTION BOX CONNECTION DIAGRAM

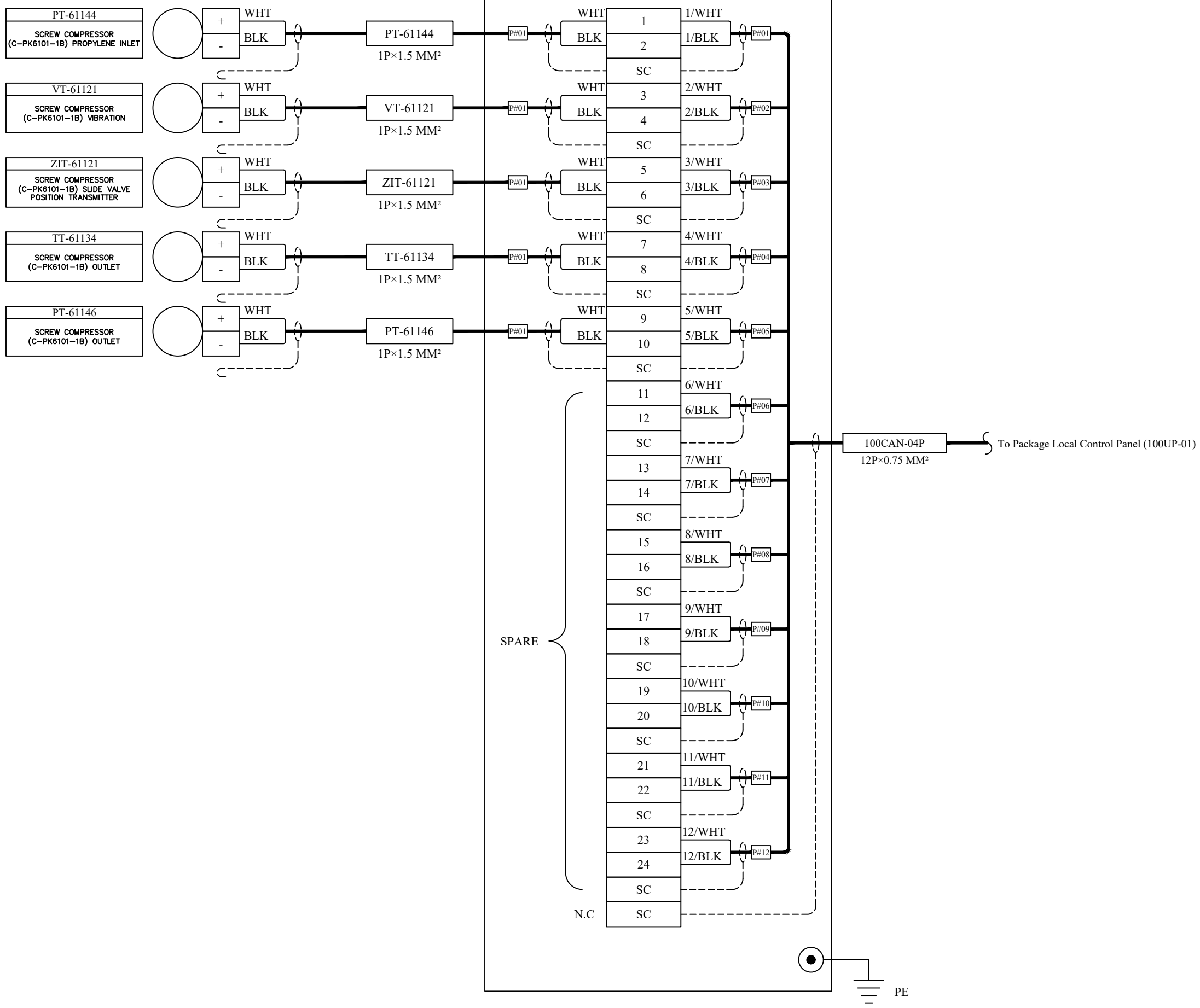
DOCUMENT No: DPIC9812-000-VD-1002-ME-DIA-0038 SC.
SIZE: A3

Proj. Code	Area No.	VD	Material Code	PO No.	Disc. Code	Doc. Type	Serial No.	Rev.	Sheet No.
DPIC9812	000	VD	1002	4150	ME	DIA	0038	D0	7 OF 13

PURCHASER'S COMMENT/APPROVAL STATUS		PURCHASER: NARGAN	
1. AP: Approved (Released for Manufacturing)	REQUISITION NO.: 4150-0001-D1		
2. AM: Approved With Minor Comments (Fabrication may Proceed)	ITEM NO. (TAG NO.): PK-6101		
3. NF: Approved With Comments (Fabrication not Proceed)	VENDOR DOC. NO.: DPIC98-12-000-VD-1002-ME-DIA-0038-D0		
4. RJ: Rejected			
5. NR: Not be Returned			
Date: XX.XX.XX	Signature: _____		

DO	30.Jan.22	ISSUE FOR APPROVAL	RSABBAGHI	A.MALEKINA	DR.A.NEJATI	KASRAVAND CO.
REV	DATE	DESCRIPTION	PREP'D	CHK'D	APP'D	

100JAN-04P



Color	Width
RED	0.10
YEL	0.20
GRN	0.30
CYA	0.40
BLU	0.50
MAG	0.60
WHY	0.20
8	0.10
9	0.10
11	0.10
30	0.10
40	0.10
54	0.10
60	0.10
100	0.10
112	0.10
140	0.10
230	0.10

REFERENCES DOCUMENT	
NOTES	

SPECIFICATION	
LEGEND	

CLIENT:	MC	CONTRACTOR:

This document is the property of DPIC. Any unauthorized attempt to reproduce it, in any form, is strictly prohibited.

PROJECT TITLE:
DEHDASHT PETROCHEMICAL INDUSTRY COMPANY
DEHDASHT HIGH DENSITY POLYETHYLENE PROJECT

DRAWING TITLE:
JUNCTION BOX CONNECTION DIAGRAM

DOCUMENT No: DPIC9812-000-VD-1002-ME-DIA-0038

SC. SIZE: A3

Proj. Code	Area No.	VD	Material Code	PO No.	Disc. Code	Doc. Type	Serial No.	Rev.	Sheet No.
DPIC9812	000	VD	1002	4150	ME	DIA	0038	D0	8 OF 13

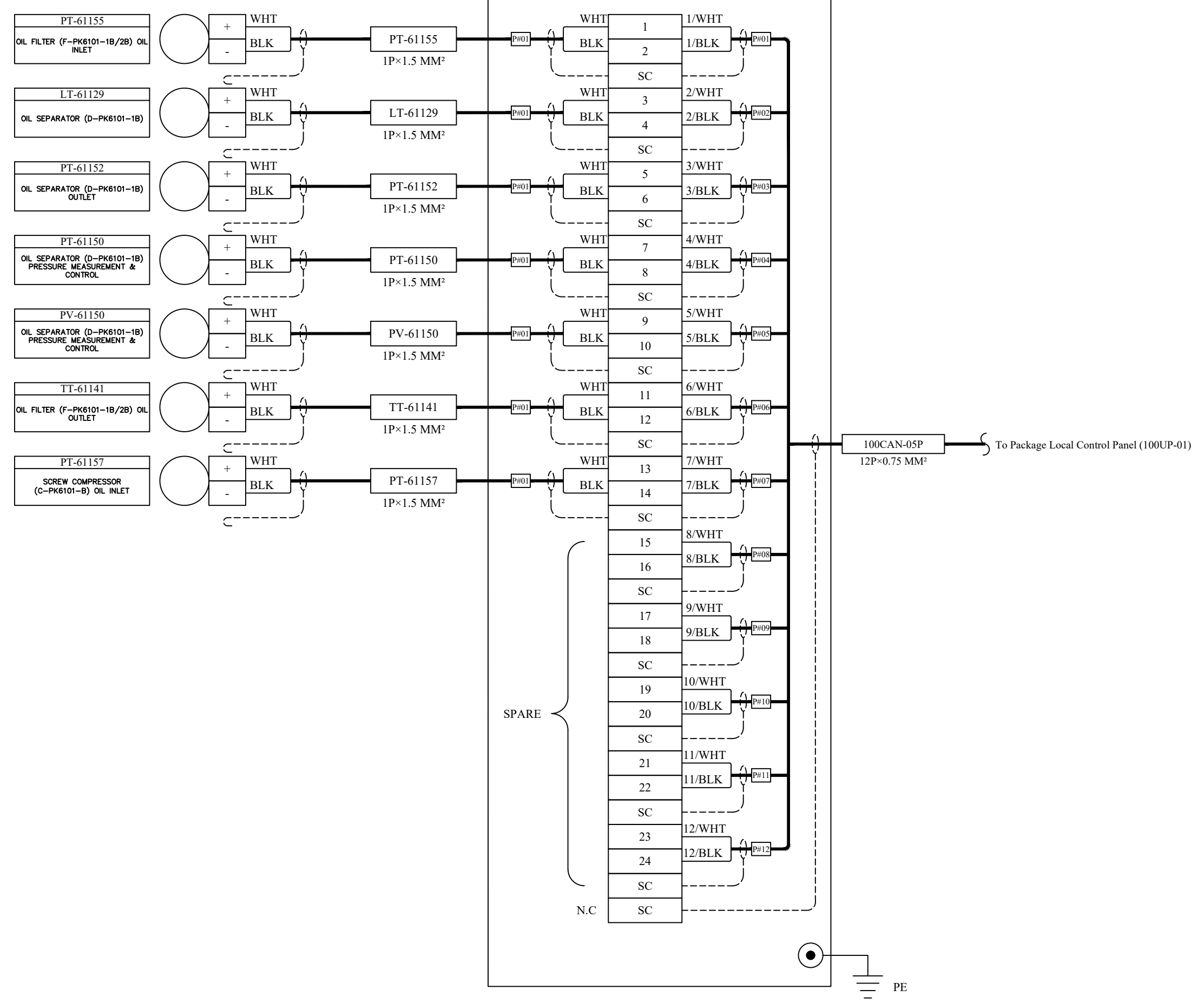
PURCHASER'S COMMENT/APPROVAL STATUS

1. AP: Approved (Released for Manufacturing)
 2. AM: Approved With Minor Comments (Fabrication may Proceed)
 3. NF: Approved With Comments (Fabrication not Proceed)
 4. RJ: Rejected
 5. NR: Not be Returned





PURCHASER: NARGAN
 REQUISITION NO.: 4150-0001-D1
 ITEM NO. (TAG NO.): PK-6101
 Vendor Doc. No.: DPIC98-12-000-VD-1002-ME-DIA-0038-D0

REV	DATE	DESCRIPTION	PREP'D	CHK'D	APP'D

100JAN-05P



Color	Width
RED	0.10
YEL	0.20
GRN	0.30
CYA	0.40
BLU	0.50
MAG	0.60
WHY	0.20
8	0.10
9	0.10
11	0.10
30	0.10
40	0.10
54	0.10
60	0.10
100	0.10
112	0.10
140	0.10
220	0.10

CLIENT:  MC  CONTRACTOR:  

This document is the property of DPIC. Any unauthorized attempt to reproduce it, in any form, is strictly prohibited.

PROJECT TITLE:
DEHDASHT PETROCHEMICAL INDUSTRY COMPANY
DEHDASHT HIGH DENSITY POLYETHYLENE PROJECT

DRAWING TITLE:
JUNCTION BOX CONNECTION DIAGRAM

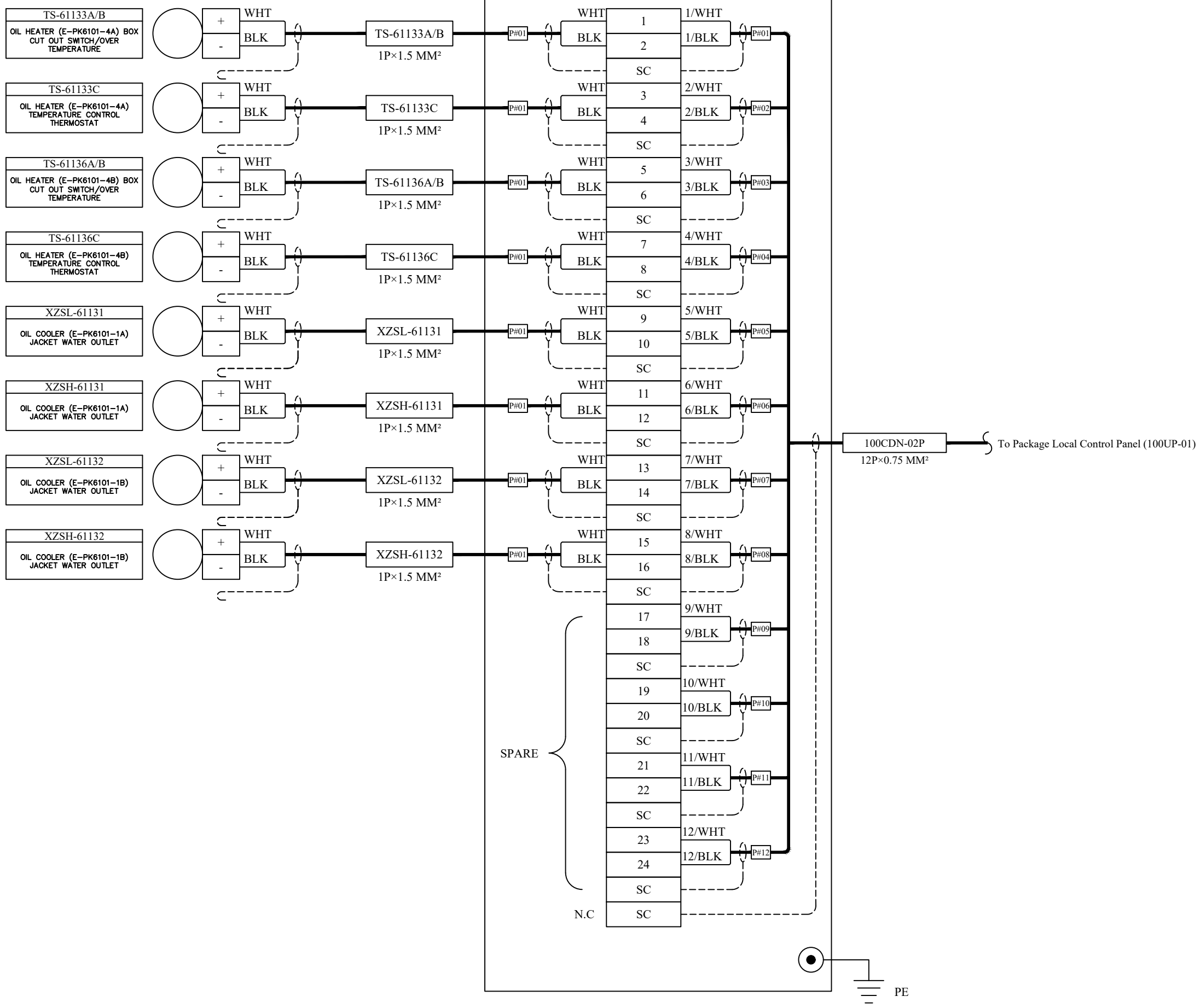
DOCUMENT No: DPIC9812-000-VD-1002-ME-DIA-0038 SC. SIZE: A3

Proj. Code	Area No.	VD	Material Code	PO No.	Disc. Code	Doc. Type	Serial No.	Rev.	Sheet No.
DPIC9812	000	VD	1002	4150	ME	DIA	0038	D0	10 OF 13

PURCHASER'S COMMENT/APPROVAL STATUS: PURCHASER: NARGAN
 1. AP: Approved (Released for Manufacturing)
 2. AM: Approved With Minor Comments (Fabrication may Proceed)
 3. NF: Approved With Comments (Fabrication not Proceed)
 4. RJ: Rejected
 5. NR: Not be Returned
 Date: XX.XX.XX Signature: ITEM NO. (TAG NO.): PK-6101
 Vendor Doc. No.: DPIC98-12-000-VD-1002-ME-DIA-0038-00

REV	DATE	DESCRIPTION	PREP'D	CHK'D	APP'D
00	30.Jan.22	ISSUE FOR APPROVAL	RSABBAGHI	A.MALEKINA	DR.A.NEJATI

100JDN-02P



Color	Width
RED	0.10
YEL	0.20
GRN	0.30
CYA	0.40
BLU	0.50
MAG	0.60
WHY	0.20
8	0.10
9	0.10
11	0.10
30	0.10
40	0.10
54	0.10
60	0.10
100	0.10
112	0.10
140	0.10
230	0.10

CLIENT:  MC  CONTRACTOR:  

This document is the property of DPIC. Any unauthorized attempt to reproduce it, in any form, is strictly prohibited.

PROJECT TITLE:
DEHDASHT PETROCHEMICAL INDUSTRY COMPANY
DEHDASHT HIGH DENSITY POLYETHYLENE PROJECT

DRAWING TITLE:
JUNCTION BOX CONNECTION DIAGRAM

DOCUMENT No: DPIC9812-000-VD-1002-ME-DIA-0038 SC. SIZE: A3

Proj. Code	Area No.	VD	Material Code	PO No.	Disc. Code	Doc. Type	Serial No.	Rev.	Sheet No.
DPIC9812	000	VD	1002	4150	ME	DIA	0038	D0	11 OF 13

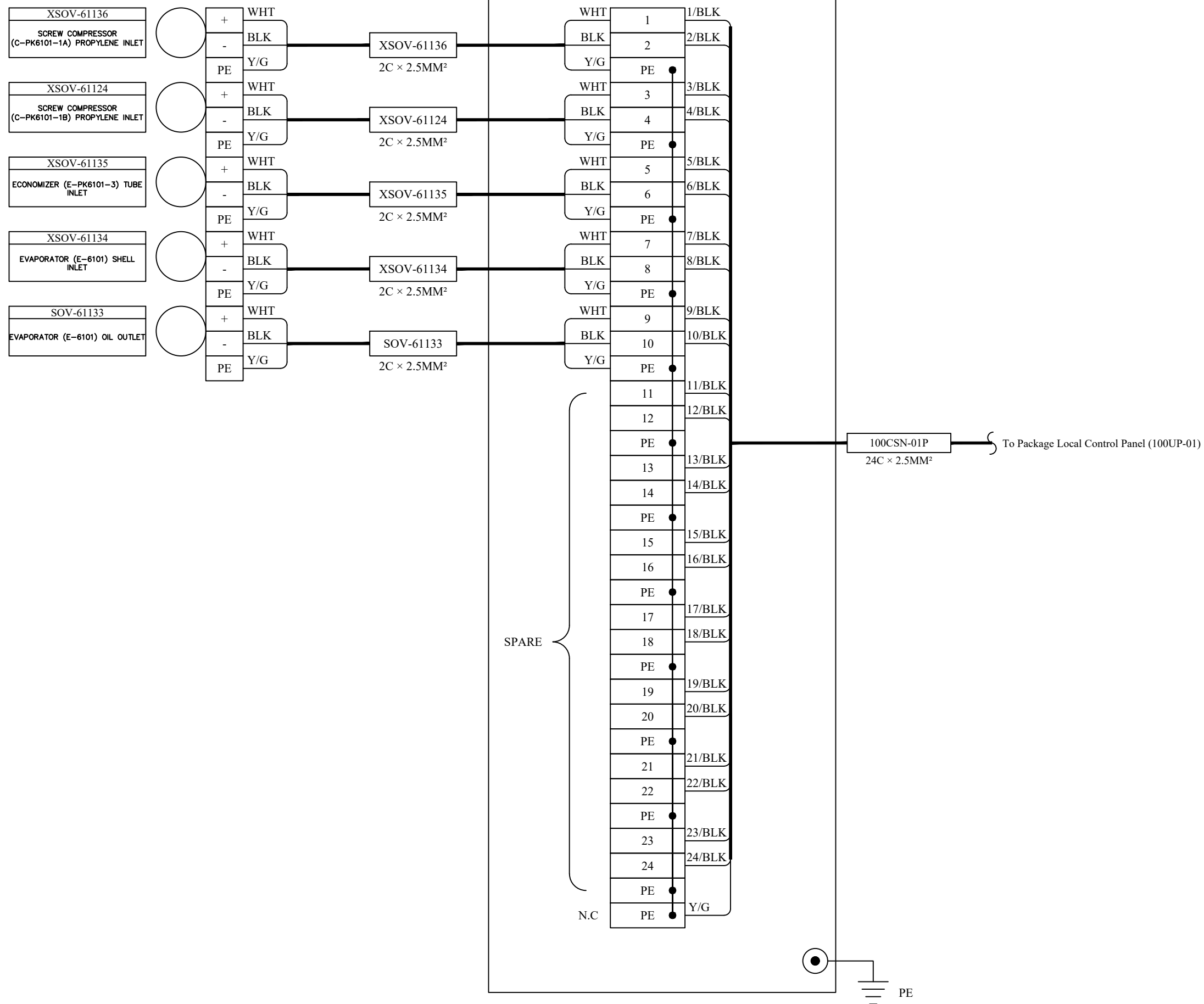
PURCHASER'S COMMENT/APPROVAL STATUS

1. AP: Approved (Released for Manufacturing)
 2. AN: Approved With Minor Comments (Fabrication may Proceed)
 3. NF: Approved With Comments (Fabrication not Proceed)
 4. RJ: Rejected
 5. NR: Not be Returned

PURCHASER: NARGAN
 REQUISITION NO.: DPIC98-12-001-000-ME-MR-4150-0001-01
 ITEM NO. (TAG NO.): PK-6101
 VENDOR DOC. NO.: DPIC98-12-000-VD-1002-ME-DIA-0038-D0

REV	DATE	DESCRIPTION	PREP'D	CHK'D	APP'D
D0	30-Jan-22	ISSUE FOR APPROVAL	R.SABBAGHI	A.MALKONIA	DR.A.NEJATI

100JSN-01P



Color	Width
RED	0.10
YEL	0.20
GRN	0.30
CYA	0.40
BLU	0.50
MAG	0.60
WHY	0.20
8	0.10
9	0.10
11	0.10
30	0.10
40	0.10
54	0.10
60	0.10
100	0.10
112	0.10
140	0.10
230	0.10

CLIENT: 	MC 	CONTRACTOR: 
--	---	--

This document is the property of DPIC. Any unauthorized attempt to reproduce it, in any form, is strictly prohibited.

PROJECT TITLE:
DEHDASHT PETROCHEMICAL INDUSTRY COMPANY
DEHDASHT HIGH DENSITY POLYETHYLENE PROJECT

DRAWING TITLE:
JUNCTION BOX CONNECTION DIAGRAM


DOCUMENT No: DPIC9812-000-VD-1002-ME-DIA-0038 SC. SIZE: A3

Proj. Code	Area No.	VD	Material Code	PO No.	Disc. Code	Doc. Type	Serial No.	Rev.	Sheet No.
DPIC9812	000	VD	1002	4150	ME	DIA	0038	D0	12 OF 13

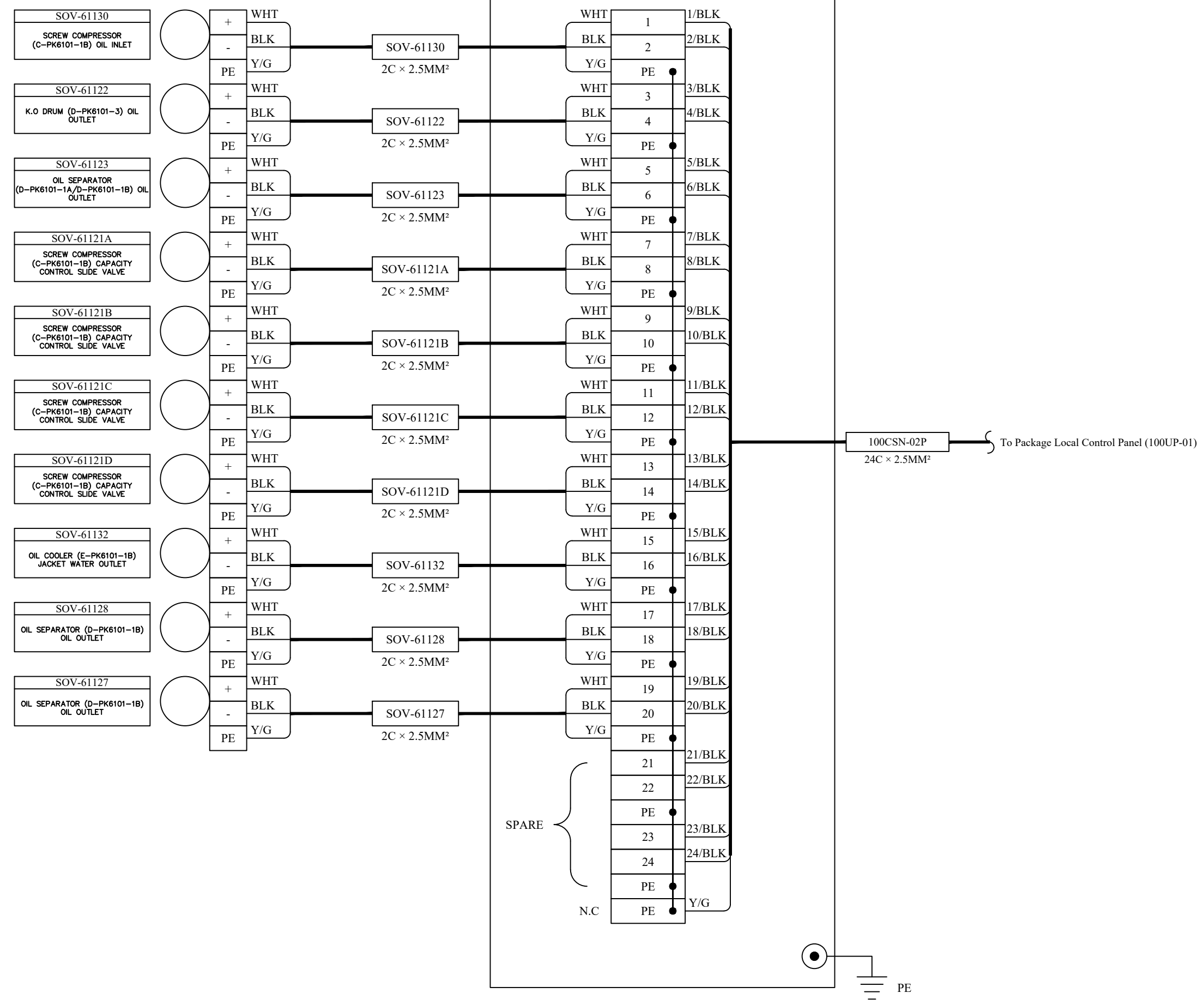
PURCHASER'S COMMENT/APPROVAL STATUS
 1. AP: Approved (Released for Manufacturing)
 2. AN: Approved With Minor Comments (Fabrication may Proceed)
 3. NF: Approved With Comments (Fabrication not Proceed)
 4. RJ: Rejected
 5. NR: Not be Returned
 Date: XX.XX.XX Signature: _____

PURCHASER: NARGAN
 REQUISITION NO.: DPIC98-12-001-000-ME-MR-4150-0001-01
 ITEM NO. (TAG NO.): PK-6101
 VENDOR DOC. NO.: DPIC98-12-000-VD-1002-ME-DIA-0038-D0

DO	DATE	ISSUE FOR APPROVAL	PREP'D	CHK'D	APP'D
	30-Jan-22	ISSUE FOR APPROVAL	R.SABBAGHI	A.MALKONIA	DR.A.NEJATI

 KASRAVAND CO.




100JSN-02P



Color	Width
RED	0.10
YEL	0.20
GRN	0.30
CYA	0.40
BLU	0.50
MAG	0.60
WHY	0.20
8	0.10
9	0.10
11	0.10
30	0.10
40	0.10
54	0.10
60	0.10
100	0.10
112	0.10
140	0.10
230	0.10

SPECIFICATION

LEGEND

CLIENT:  MC  CONTRACTOR: 

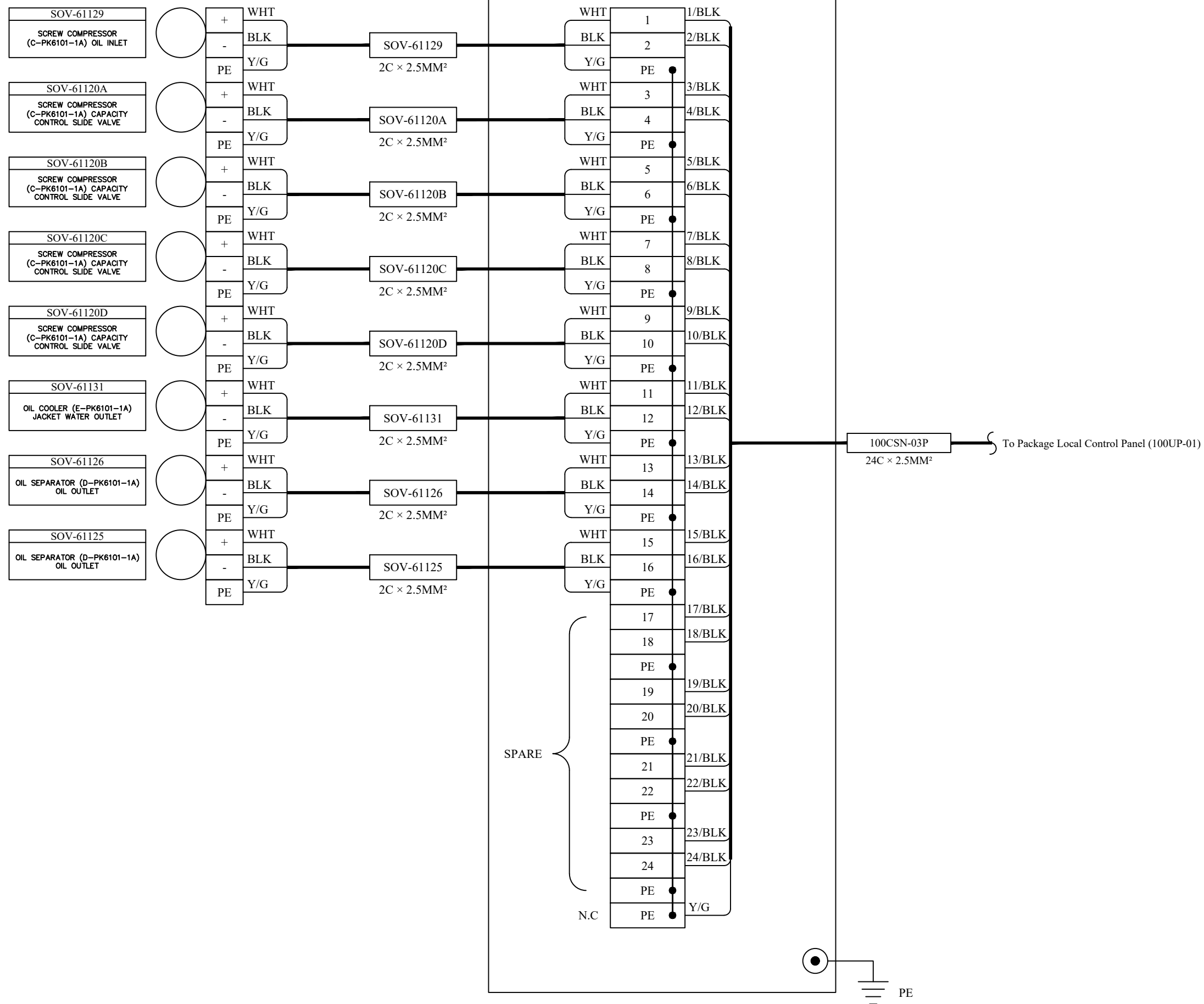
This document is the property of DPIC. Any unauthorized attempt to reproduce it, in any form, is strictly prohibited.

PROJECT TITLE:
DEHDASHT PETROCHEMICAL INDUSTRY COMPANY
DEHDASHT HIGH DENSITY POLYETHYLENE PROJECT

DRAWING TITLE:
JUNCTION BOX CONNECTION DIAGRAM

DOCUMENT No:		DPIC9812-000-VD-1002-ME-DIA-0038				SC.			
						SIZE: A3			
Proj. Code	Area No.	VD	Material Code	PO No.	Disc. Code	Doc. Type	Serial No.	Rev.	Sheet No.
DPIC9812	000	VD	1002	4150	ME	DIA	0038	D0	13 OF 13
PURCHASER'S COMMENT/APPROVAL STATUS						PURCHASER: NARGAN			
1. AP: Approved (Released for Manufacturing)						REQUISITION NO.: DPIC98-12-001-000-ME-MR-			
2. AN: Approved With Minor Comments (Fabrication may Proceed)						3. NF: Approved With Comments (Fabrication not Proceed)			
4. RJ: Rejected						ITEM NO. (TAG NO.): PK-6101			
5. NR: Not be Returned						VENDOR DOC. NO.: DPIC98-12-000-VD-1002-			
Date: XX.XX.XX						Signature:			

100JSN-03P



Color	Width
RED	0.10
YEL	0.20
GRN	0.30
CYA	0.40
BLU	0.50
MAG	0.60
WHY	0.20
8	0.10
9	0.10
11	0.10
30	0.10
40	0.10
54	0.10
60	0.10
100	0.10
112	0.10
140	0.10
230	0.10