



DEHDASHT PETROCHEMICAL INDUSTRY COMPANY
DEHDASHT HIGH DENSITY POLYETHYLENE PROJECT



Contract No.: DPIC/98-12

DOCUMENT TITLE: Oil Pump Drawing

POI: IFA

Rev.: D0

DOCUMENT No: DPIC9812-000-VD-1002-ME-DWG-0018

Sheet 1 of 4

D1 and next revision D2

Oil Pump Drawing

PURCHASER'S COMMENT/APPROVAL STATUS

Purchaser: NARGAN

1	AP: Approved (Released for Manufacturing)
<input checked="" type="checkbox"/>	AN: Approved With Minor Comments (Fabrication may Proceed)
3	NF: Approved With Comments (Fabrication not Proceed)
4	RJ: Rejected
5	NR: Not be Returned

Requisition No.: DPIC98-12-001-000-ME-MR-4150-0001-D1

Item No. (Tag No.): PK-6101

Vendor Doc. No.: DPIC9812-000-VD-1002-ME-DWG-0018

Date: 11.03.2024 Signature: A.AB

D1 and next revision D2



D0	22-Dec-21	IFA	MY	M.M	A.V
REV.	DATE ISSUE	Purpose of Issue	PREPARED	CHECKED	APPROVED



DEHDASHT PETROCHEMICAL INDUSTRY COMPANY
DEHDASHT HIGH DENSITY POLYETHYLENE PROJECT



Contract No.: DPIC/98-12

DOCUMENT TITLE: Oil Pump Drawing

POI: IFA

Rev.: D0

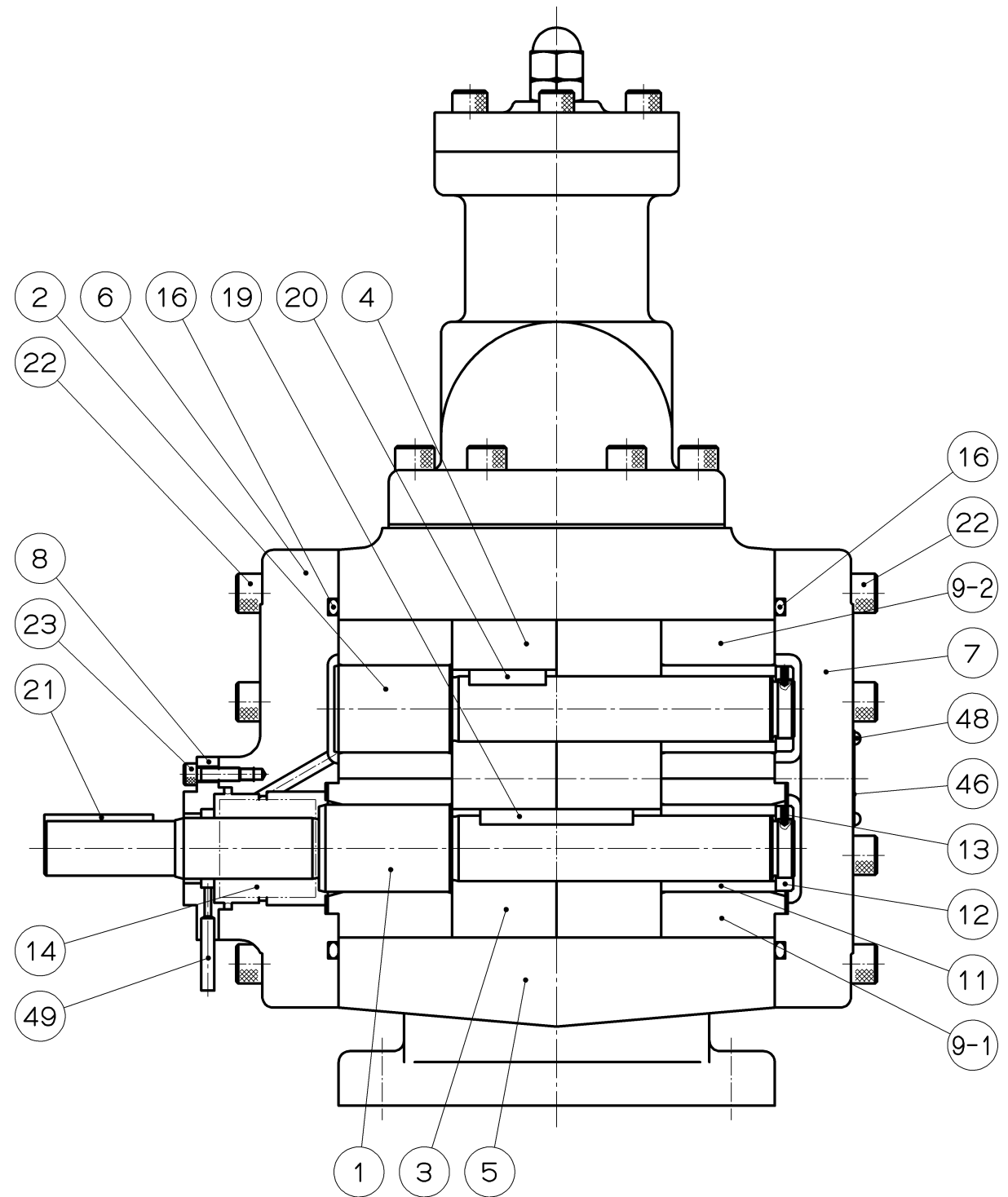
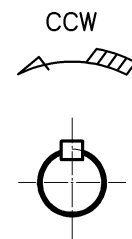
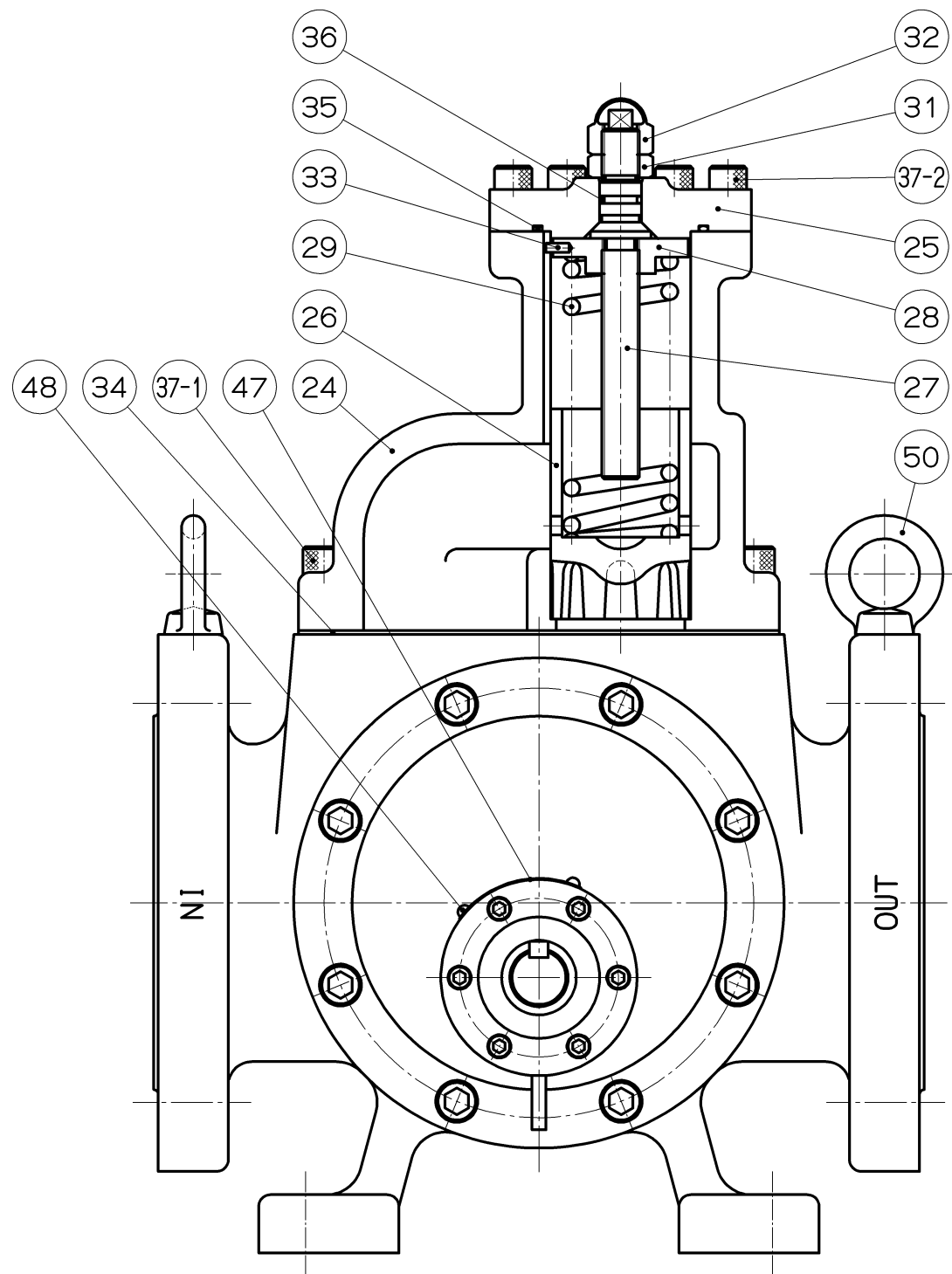
DOCUMENT No: DPIC9812-000-VD-1002-ME-DWG-0018

Sheet 2 of 4

TABULATION OF REVISED PAGES

Page	Rev-D0	Rev-D1	Rev-D2	Rev-D3	Rev-D4
1	x				
2	x				
3	x				
4	x				
5					
6					
7					
8					
9					
10					
11					
12					
13					
14					
15					
16					
17					
18					
19					
20					
21					
22					
23					
24					
25					
26					
27					
28					
29					
30					
31					
32					
33					
34					
35					

Page	Rev-D0	Rev-D1	Rev-D2	Rev-D3	Rev-D4
36					
37					
38					
39					
40					
41					
42					
43					
44					
45					
46					
47					
48					
49					
50					
51					
52					
53					
54					
55					
56					
57					
58					
59					
60					
61					
62					
63					
64					
65					
66					
67					
68					
69					
70					



品番 NO.	部品名 PARTS NAME	材質 MATERIAL	個数 Q. t.y	備考 REMARKS	品番 NO.	部品名 PARTS NAME	材質 MATERIAL	個数 Q. t.y	備考 REMARKS	品番 NO.	部品名 PARTS NAME	材質 MATERIAL	個数 Q. t.y	備考 REMARKS
50	EYE BOLTS	SS400	2	M12	28	SPRING GUIDE	SS400	1		9-2	IDLE BEARING	WJ2/S15C	2	
49	DRAIN PIPE	OST2	1	φ6	27	ADJUSTING BOLT	S45C	1		9-1	DRIVE BEARING	WJ2/S15C	2	
48	RIVET	BsW	6	φ2.5	26	PISTON	FC300	1		8	SEAL RETAINER	SS400	1	
47	ROTATION ARROW PLATE	BsP1	1		25	BODY FLANGE	SS400	1		7	BEARING COVER	FC300	1	
46	NAME PLATE	BsP1	1		24	RELIEF VALVE BODY	FC300	1		6	SEAL COVER	FC300	1	
37-2	HEX. SOCKET HEAD BOLTS	SCM435	6	M10x35	23	HEX. SOCKET HEAD BOLTS	SCM435	6	M6x20	5	GEAR CASING	FC300	1	
37-1	HEX. SOCKET HEAD BOLTS	SCM435	8	M12x40	22	HEX. SOCKET HEAD BOLTS	SCM435	16	M12x50	4	IDLE ROTOR	FCD600	1SET	
36	'O' RING	FPM	1	JISB2401 4D P14	21	KEY	S45C	1	8x7x50	3	DRIVE ROTOR	FCD600	1SET	
35	'O' RING	FPM	1	JISB2401 4D G70	20	KEY	S45C	1	8x7x35	2	IDLE SHAFT	S45C	1	
34	GASKET	NON ASBESTOS	1		19	KEY	S45C	1	8x7x70	1	DRIVE SHAFT	S45C	1	
33	LOCKING PIN	SK5	1	φ4x10	16	'O' RING	FPM	2	JISB2401 4D G155					
32	HEX. CAP NUT	SS400	1	M16	14	MECHANICAL SEAL ASS'Y	SiC+CARBON	1SET						
31	HEX. NUT	SS400	1	M16	13	LOCKING PIN	SK5	2	φ3x8					
29	SPRING	SWPA	1		12	INNER RACE RETAINER	S45C	2						
28	SPRING GUIDE	SS400	1		11	INNER RACE	SUJ2	2						

SECTIONAL ARRANGEMENT
M80P OIL PUMP

図名
DESIGNED

図番
NO.

MP280463-00

図尺
SCALE

1:2

日付
DATE

2006. 2. 20

MYCOM 株式会社 前川製作所 圧縮機製造

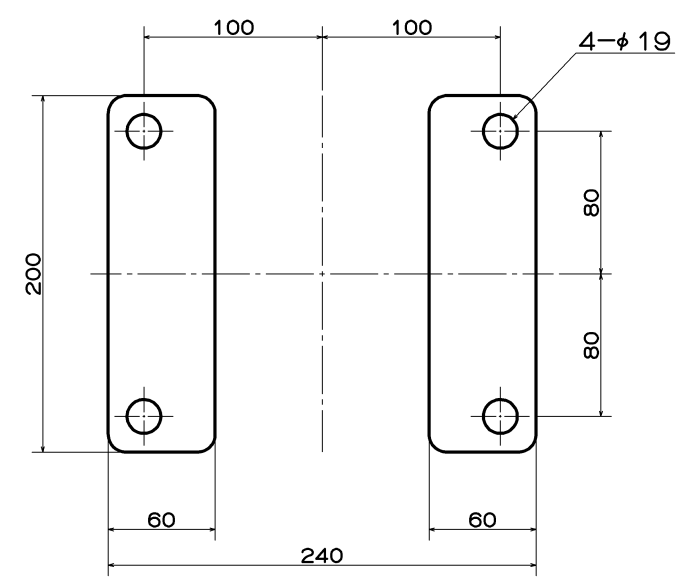
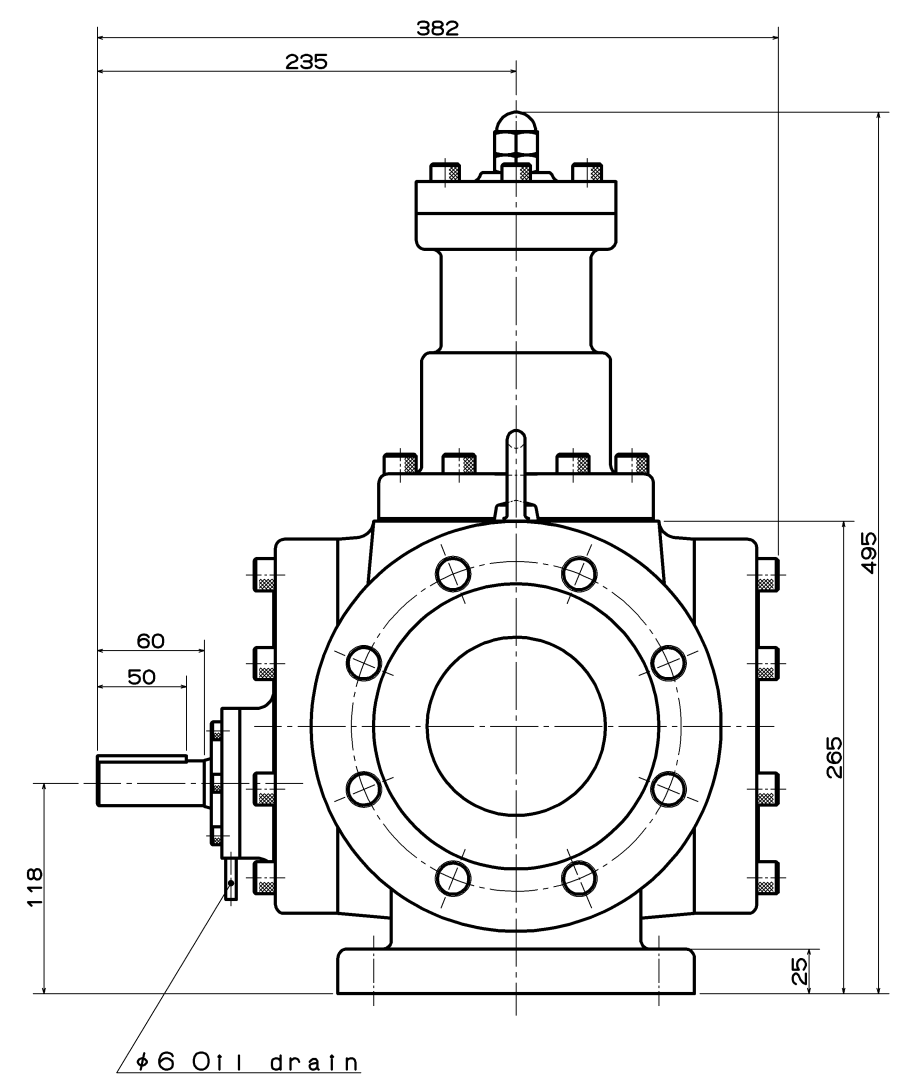
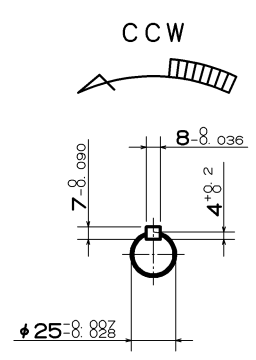
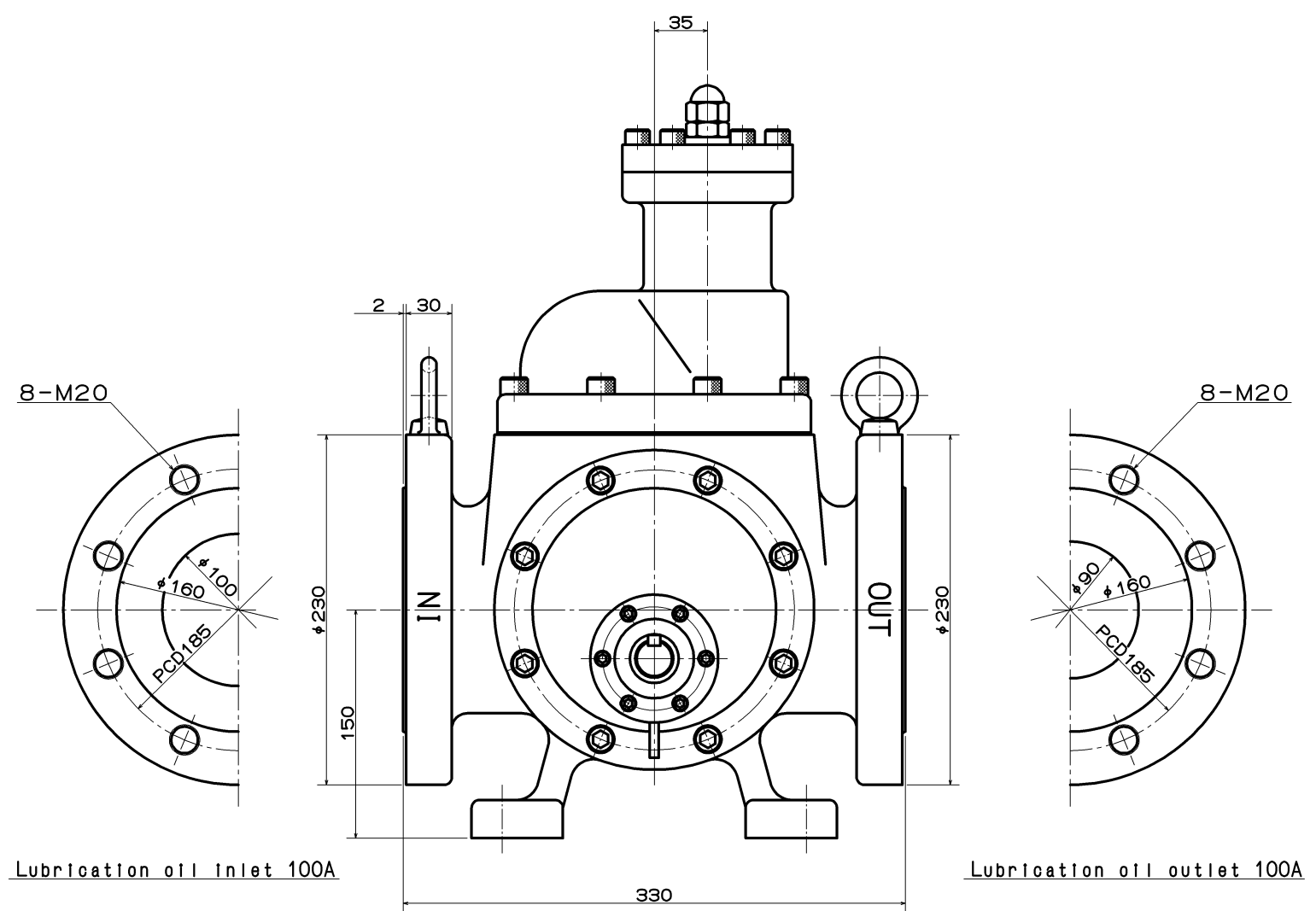
MAYEKAWA MFG. CO., LTD.
MORIYA FACTORY

設計
DESIGNED

検査
CHECKED

承認
APPROVED

年田 竹之 生頭



品番 NO.	部 品 名 PARTS NAME	材 質 MATERIAL	個 数 Q. t y	備 考 REMARKS
図名 NAME	OUTER DIMENSION MYCOM M80P OIL PUMP		設計製図 DESIGNED	検図 CHECKED
図番 FIG. NO.	08P80600-01	尺度 SCALE	1/3	日付 DATE
MYCOM 株式会社 前川製作所 技術研究所			MAYEKAWA MFG. CO., LTD. MORIYA FACTORY	