
	PRESSURE TRANSMITTER CONTROL DEVICES			Document No: VD-GPIC-MA-3029-3029-0038-00	
				Document Title: Instrument Data sheet & Catalogs	
	NO.	BY	APP	DATE	P.O.I.
	00	N.B	A.M	12.10.25	IFR

CLIENT: Gachsaran Polymer Industries Company (GPIC)
P.O. NO.: GPIC-PT-MA-PO-000-3029
SERVICE: PROPYLENE REFERIGERATION PACKAGE

GENERAL	1	Tag No.	SEE TABLE BELOW		Service: See Table Below	
	2	Qty				
	3	Function	Record <input type="checkbox"/>	Indicate <input checked="" type="checkbox"/>	Control <input checked="" type="checkbox"/>	VIA MCS Blind <input type="checkbox"/> Trans <input checked="" type="checkbox"/> Other
	4	Case	Mfr. Std. <input checked="" type="checkbox"/>	Nom. Size	Color:	<input type="checkbox"/> Other NOTE 2
	5	Mounting	Flush <input type="checkbox"/>	Surface <input type="checkbox"/>	Yoke <input checked="" type="checkbox"/>	Other
	6	Enclosure Class	Gen. Purpose <input type="checkbox"/>	Weather Proof <input type="checkbox"/>	Explosion Proof <input type="checkbox"/>	<input checked="" type="checkbox"/> IIB-T5 - ZONE 1, CL1
	7	Power Supply	117V 60 Hz <input type="checkbox"/>	Other ac <input type="checkbox"/>	DC <input checked="" type="checkbox"/>	Volts 24 V
	8	Chart	N/A	Strip <input type="checkbox"/>	Roll <input type="checkbox"/>	Fold <input type="checkbox"/> Circular <input type="checkbox"/> Time Mark: <input type="checkbox"/>
	9	Chart Drive	N/A	Speed	Power	
	10	Scales	Type: LCD / DIGITAL (UNITS per NOTE 15) Range: SEE TABLE BELOW			
XMTR	11	Transmitter Output	4-20 mA <input type="checkbox"/> NOTE 9	10-50mA <input type="checkbox"/>	21-103 kPa (3-15 psig) <input type="checkbox"/> Other	
CONTROLLER VIA UCP	12	Control Modes	For Receiver, see spec sheet. WIRED TO UCP VIA JUNCTION BOXES (2 WIRE OUTPUT) NOTE 9 P = Prop (Gain), I = Integral (Auto Reset), D = Derivative (Rate) Sub: s = slow, f = fast, if <input type="checkbox"/> Df <input type="checkbox"/> P <input checked="" type="checkbox"/> PID <input type="checkbox"/> PD <input type="checkbox"/> PI <input type="checkbox"/> Is <input type="checkbox"/> Ds <input type="checkbox"/>			
	14	Action	On Measurement Increase, Output: Increases <input type="checkbox"/> Decreases <input type="checkbox"/>			
	15	Auto-Man Switch	None <input type="checkbox"/>	MFR Std <input type="checkbox"/>	Other <input checked="" type="checkbox"/> NOTE 21	
	16	Set Point Adj.	Manual <input type="checkbox"/>	External <input type="checkbox"/>	Remote <input checked="" type="checkbox"/> UCP NOTE 9	
	17	Manual Reg.	None <input type="checkbox"/>	MFR Std <input type="checkbox"/>	Other	
ELEMENT	18	Output	4-20 mA <input type="checkbox"/> NOTE 9	10-50 mA <input type="checkbox"/>	21-103 kPa (3-15 psig) <input type="checkbox"/> Other	
	19	Service	Gage Press <input checked="" type="checkbox"/>	Vacuum <input type="checkbox"/>	Absolute <input type="checkbox"/> Compound <input type="checkbox"/>	
	20	Element Type	Diaphragm <input type="checkbox"/>	Helix <input type="checkbox"/>	Bourdon <input type="checkbox"/> Bellows <input type="checkbox"/> Other NOTE 19	
	21	Material (body)	316SS <input checked="" type="checkbox"/>	Ber Copper <input type="checkbox"/>	Other <input type="checkbox"/>	
	22	Range	Fixed <input type="checkbox"/>	Adj. Range <input checked="" type="checkbox"/>		
23	Process Data	Overrange Protection to: SEE TABLE BELOW Press.: Nor.: SEE TABLE BELOW MAX.: Element Range:				
24	Process Conn.	1/4" in NPT <input type="checkbox"/>	1/2" in NPT (F) <input checked="" type="checkbox"/>	Other: 1/2" CONDUIT CONNECTION		
VIA UCP	25	Alarm Switches	Quantity: BY UCP REFER TO SETPOINT LIST Form Rating			
	26	Function	Press. <input checked="" type="checkbox"/>	Deviation <input type="checkbox"/>	Contacts On Icr. Meas.	
OPTIONS	27	Options	Filter Reg. <input type="checkbox"/>	Sup. Gage <input type="checkbox"/>	Output Gage <input type="checkbox"/> Charts	
			Diaphragm Seal <input type="checkbox"/>	Type N/A	Diaphragm Bot. Bowl	
			Conn. Capillary: N/A	Length	Mtl.	
AREA CLASSIFICATION		IEC <input checked="" type="checkbox"/> ZONE 1, EEx IIB-IP-67 / NEMA4X			Agency Approval: ATEX	

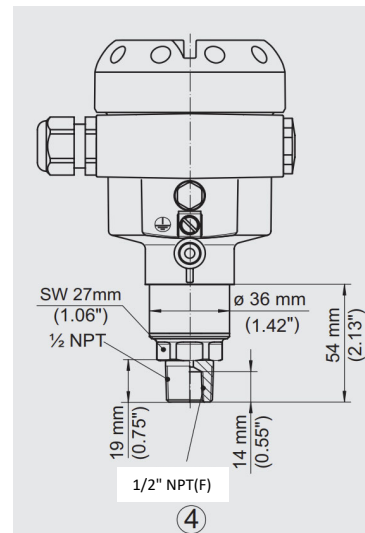
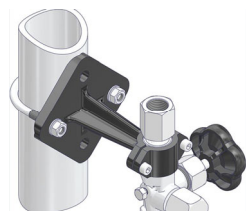
Item	Qty	Tag No.	Pressure PSIG - BarG		Operating Press. PSIG / BarG		Calibration mA PSIG / BarG		Manufacturer/ (Note 16) Model no.	Service
			Range	Over	Min	Max	4	20		
A	1	PIT-61111	-14.7 to 580	1160	22.5	25.9	0.00	250		PROPYLENE &
		SUCTION	-1.01 to 40.0	80.0	1.55	1.76	0.0	17.2		SYNTHETIC OIL
B	1	PIT-61113	-14.7 to 580	1160	304.6	343.3	0.00	400		PROPYLENE &
		OIL SUPPLY	-1.01 to 40.0	80.0	21.0	23.7	0.0	27.6		SYNTHETIC OIL
C										
D										
AA	1	PIT-61121	-14.7 to 580	1160	22.5	25.9	0.00	250		PROPYLENE &
		SUCTION	-1.01 to 40.0	80.0	1.55	1.76	0.0	17.2		SYNTHETIC OIL
BB	1	PIT-61123	-14.7 to 580	1160	304.6	256.1	0.00	400		PROPYLENE &
		OIL SUPPLY	-1.01 to 40.0	80.0	21.0	17.7	0.0	27.6		SYNTHETIC OIL
CC	1									
DD	1	PIT-61141	-14.7 to 580	1160	85.5	289.1	0.00	400		PROPYLENE &
		ECONOMIZER	-1.01 to 40.0	80.0	5.90	19.9	0.0	27.6		SYNTHETIC OIL


	PRESSURE TRANSMITTER CONTROL DEVICES				Document No: VD-GPIC-MA-3029-3029-0038-00
					Document Title: Instrument Data sheet & Catalogs
	NO.	BY	APP	DATE	P.O.I.
	00	N.B	A.M	12.10.25	IFR
CLIENT: Gachsaran Polymer Industries Company (GPIC)					
P.O. NO.: GPIC-PT-MA-PO-000-3029					
SERVICE: PROPYLENE REFERIGERATION PACKAGE					


Notes:

- 1 SYSTEM DESIGN PRESSURE & TEMPERATURE:

FV to 362.5 PSIG	25.0 BarG	@	250 °F	121 °C	FOR ITEMS: 1, 2
			-45 °F	-43 °C	
FV to 406 PSIG	28.0 BarG	@	250 °F	121 °C	FOR ITEMS: 3
			-20 °F	-29 °C	
- 2 TRANSMITTER ELECTRICAL HOUSING MUST BE POLYURETHANE COVERED ALUMINUM
- 3 REFERENCE ACCURACY: ± 0.1 % OF FULL SCALE & ± 0.15 % GUARRANTEED STABILITY OVER FIVE YEARS
- 4 INSTRUMENT SHALL BE SUITABLE FOR MARINE, SALT LADEN, CORROSIVE ENVIRONMENT
- 5 CALIBRATION CERTIFICATE REQUIRED NOT REQUIRED
- 6 HARD COPY OF IEC-79, EExi IIB-T5 CERTIFICATE REQUIRED NOT REQUIRED
- 7 CUSTOMER SPECIFICATION: N/A , N/A & N/A
- 8 ELECTRICAL CLASS CERTIFICATION SHALL BE SHOWN ON ALUMINUM DIE-CASTING HOUSING STAMPED USING STAINLESS STEEL TAG PERMANENTLY ATTACHED TO THE DEVICE
- 9 HART COMMUNICATION SHALL BE SUITABLE OVER RANGE OF APPLICATION
- 10 AUSTENSIC 316 SS BOLTS REQUIRED
- 12 MOUNTING BRACKET FOR 2-IN PIPE BY VENDOR (AGCO)
- 13 LCD METER WITH POLYURETHANE COVERED ALUMINUM COVER REQUIRED
- 14 ALL DOCUMENTS TO BE SUBMITTED IN BOTH HARD AND ELECTRONIC FORMAT
- 15 INDICATOR TO SHOW BARG AND °C
- 16 MATERIAL SHALL BE PER APPROVED VENDOR LIST. MANUFACTURER LISTED ABOVE IS FOR REFERENCE.
- 17 ELECTRICAL CONNECTION: M20
- 18 REQUIRED ASSEMBLY AS PER BELOW PIC WITH ISOLATION VALVE
- 19 TRANSMITTERS ARE SUPPLIED WITH THIN FILM TYPE PIEZORESISTIVE SENSORS
- 20 SENSOR FILLING: PAG SYNTHETIC OIL
- 21 REFER TO CONTROL NARRATIVE AND SET POINT LIST FOR THE CONTROLLER ACTION
- 22 HOUSING SHALL BE SELECTED TO SHOW TRANSMITTER LCD AT 90 DEGREE FROM INLET AS SHOWN BELOW.



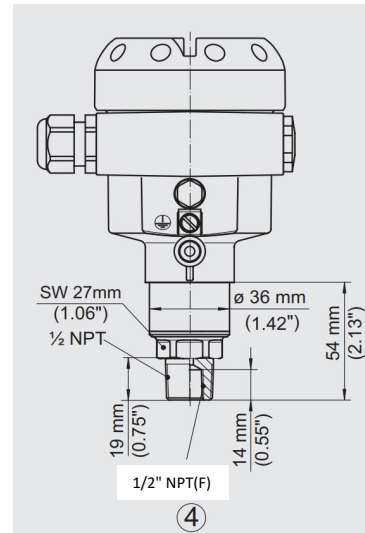
				PRESSURE TRANSMITTER INDICATOR DEVICES				Document No: VD-GPIC-MA-3029-3029-0038-00			
						Document Title: Instrument Data sheet & Catalogs					
		NO.		BY		APP		DATE		P.O.I.	
		00		N.B		A.M		12.10.25		IFR	
CLIENT: Gachsaran Polymer Industries Company (GPIC) P.O. NO.: GPIC-PT-MA-PO-000-3029 SERVICE: PROPYLENE REFRIGERATION PACKAGE											
GENERAL		1	Tag No.	SEE TABLE BELOW						Service: See Table Below	
		2	Qty								
		3	Function	Record <input type="checkbox"/>	Indicate <input checked="" type="checkbox"/>	Control <input type="checkbox"/>	VIA MCS <input type="checkbox"/>	Blind <input type="checkbox"/>	Trans <input checked="" type="checkbox"/>	Other	
		4	Case	Mfr. Std. <input checked="" type="checkbox"/>	Nom. Size			Color:		<input type="checkbox"/> Other NOTE 2	
		5	Mounting	Flush <input type="checkbox"/>	Surface <input type="checkbox"/>		Yoke <input checked="" type="checkbox"/>		Other		
		6	Enclosure Class	Gen. Purpose <input type="checkbox"/>	Weather Proof <input type="checkbox"/>	Explosion Proof <input type="checkbox"/>					
		7	Power Supply	117V 60 Hz <input type="checkbox"/>	Other ac <input type="checkbox"/>	DC <input checked="" type="checkbox"/>	Volts 24 V				
		8	Chart	N/A	Strip <input type="checkbox"/>	Roll <input type="checkbox"/>	Fold <input type="checkbox"/>	Circular <input type="checkbox"/>	Time Mark: <input type="checkbox"/>		
		9	Chart Drive	N/A	Speed		Power				
		10	Scales	Type: LCD / DIGITAL (UNITS per NOTE 15)							
				Range: SEE TABLE BELOW							
XMTR		11	Transmitter Output	4-20 mA <input type="checkbox"/>	NOTE 9	10-50mA <input type="checkbox"/>	21-103 kPa (3-15 psig) <input type="checkbox"/>		Other		
				For Receiver, see spec sheet. WIRED TO UCP VIA JUNCTION BOXES (2 WIRE OUTPUT) NOTE 9							
CONTROLLER VIA UCP		12	Control Modes	P = Prop (Gain), I = Integral (Auto Reset), D = Derivative (Rate)							
				Sub: s = slow, f = fast, if <input type="checkbox"/> Df <input type="checkbox"/> P <input type="checkbox"/> PID <input type="checkbox"/> PD <input type="checkbox"/> PI <input type="checkbox"/> Is <input type="checkbox"/> Ds <input type="checkbox"/>							
				Other							
		14	Action	On Measurement Increase, Output:				Increases <input type="checkbox"/>		Decreases <input type="checkbox"/>	
		15	Auto-Man Switch	None <input type="checkbox"/>	MFR Std <input type="checkbox"/>	Other <input checked="" type="checkbox"/>		NOTE 21			
		16	Set Point Adj.	Manual <input type="checkbox"/>	External <input type="checkbox"/>		Remote <input checked="" type="checkbox"/>	UCP		Other NOTE 9	
		17	Manual Reg.	None <input type="checkbox"/>	MFR Std <input type="checkbox"/>		Other				
		18	Output	4-20 mA <input type="checkbox"/>	NOTE 9	10-50 mA <input type="checkbox"/>	21-103 kPa (3-15 psig) <input type="checkbox"/>		Other		
ELEMENT		19	Service	Gage Press <input checked="" type="checkbox"/>	Vacuum <input type="checkbox"/>	Absolute <input type="checkbox"/>		Compound <input type="checkbox"/>			
		20	Element Type	Diaphragm <input type="checkbox"/>	Helix <input type="checkbox"/>	Bourdon <input type="checkbox"/>	Bellows <input type="checkbox"/>		Other NOTE 19		
		21	Material (body)	316SS <input checked="" type="checkbox"/>	Ber Copper <input type="checkbox"/>		Other <input type="checkbox"/>				
		22	Range	Fixed <input type="checkbox"/>	Adj. Range <input checked="" type="checkbox"/>						
				Overrange Protection to: SEE TABLE BELOW							
		23	Process Data	Press.: Nor.: SEE TABLE BELOW	MAX.:		Element Range:				
		24	Process Conn.	1/4" in NPT <input type="checkbox"/>	1/2" in NPT (F) <input checked="" type="checkbox"/>	Other: 1/2" CONDUIT CONNECTION					
				Location: Bottom: <input checked="" type="checkbox"/>		Back <input type="checkbox"/>		Other			
VIA UCP		25	Alarm Switches	Quantity: BY UCP REFER TO SETPOINT LIST				Form		Rating	
		26	Function	Press. <input checked="" type="checkbox"/>	Deviation <input type="checkbox"/>	Contacts		On Icr. Meas.			
OPTIONS		27	Options	Filter Reg. <input type="checkbox"/>	Sup. Gage <input type="checkbox"/>	Output Gage <input type="checkbox"/>		Charts			
				Diaphragm Seal <input type="checkbox"/>	Type N/A	Diaphragm		Bot. Bowl			
				Conn.:	Capillary: N/A	Length		Mtl.			
				Other: ELECTRICAL GROUND SCREW REQUIRED							
AREA CLASSIFICATION				IEC <input checked="" type="checkbox"/> ZONE 1, EExI IIB-IP-67 / NEMA4X		Agency Approval: ATEX					
Item	Qty	Tag No.	Pressure PSIG - BarG		Operating Press. PSIG / BarG		Calibration mA PSIG / BarG		Manufacturer/ (Note 16)	Service	
			Range	Over	Min	Max	4	20	Model no.		
A	1	PIT-61131	-14.7 to 580	1160	275.6	303.1	0.00	250		PROPYLENE & SYNTHETIC OIL	
		SEPARATOR	-1.01 to 40.0	80.0	19.0	20.6	0.0	17.2			
B	1	PIT-61132	-14.7 to 580	1160	275.6	303.1	0.00	400		PROPYLENE & SYNTHETIC OIL	
		COALESCER	-1.01 to 40.0	80.0	19.0	20.9	0.0	27.6			
C	1	PIT-61133	-14.7 to 580	1160	329.0	367.8	0.00	400		PROPYLENE & SYNTHETIC OIL	
		OIL FILTER	-1.01 to 40.0	80.0	22.7	25.0	0.0	27.6			
D	1	PIT-61134	-14.7 to 580	1160	290.1	319.1	0.00	400		PROPYLENE & SYNTHETIC OIL	
		OIL FILTER	-1.01 to 40.0	80.0	20.0	22.0	0.0	27.6			


	PRESSURE TRANSMITTER INDICATOR DEVICES			Document No: VD-GPIC-MA-3029-3029-0038-00	
				Document Title: Instrument Data sheet & Catalogs	
CLIENT: Gachsaran Polymer Industries Company (GPIC) P.O. NO.: GPIC-PT-MA-PO-000-3029 SERVICE: PROPYLENE REFERIGERATION PACKAGE	NO.	BY	APP	DATE	P.O.I.
	00	N.B	A.M	12.10.25	IFR

Notes:

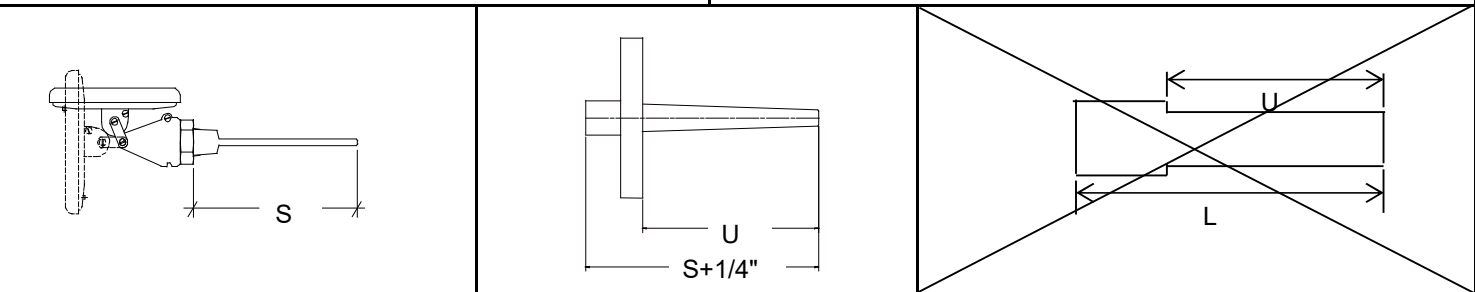
- 1 SYSTEM DESIGN PRESSURE & TEMPERATURE:

FV to 362.5 PSIG	25.0 BarG	@	250 °F	121 °C	FOR ITEMS: 1, 2
			-45 °F	-43 °C	
FV to 406 PSIG	28.0 BarG	@	250 °F	121 °C	FOR ITEMS: 3
			-20 °F	-29 °C	
- 2 TRANSMITTER ELECTRICAL HOUSING MUST BE POLYURETHANE COVERED ALUMINUM
- 3 REFERENCE ACCURACY: ± 0.1 % OF FULL SCALE & ± 0.15 % GUARRANTEED STABILITY OVER FIVE YEARS
- 4 INSTRUMENT SHALL BE SUITABLE FOR MARINE, SALT LADEN, CORROSIVE ENVIRONMENT
- 5 CALIBRATION CERTIFICATE REQUIRED NOT REQUIRED
- 6 HARD COPY OF IEC-79, EExi IIB-T5 CERTIFICATE REQUIRED NOT REQUIRED
- 7 CUSTOMER SPECIFICATION: N/A , N/A & N/A
- 8 ELECTRICAL CLASS CERTIFICATION SHALL BE SHOWN ON ALUMINUM DIE-CASTING HOUSING STAMPED USING STAINLESS STEEL TAG PERMANENTLY
- 9 ATTACHED TO THE DEVICE
- 10 HART COMMUNICATION SHALL BE SUITABLE OVER RANGE OF APPLICATION
- 12 AUSTENSIC 316 SS BOLTS REQUIRED
- 13 MOUNTING BRACKET FOR 2-IN PIPE BY VENDOR (AGCO)
- 14 LCD METER WITH POLYURETHANE COVERED ALUMINUM COVER REQUIRED
- 15 ALL DOCUMENTS TO BE SUBMITTED IN BOTH HARD AND ELECTRONIC FORMAT
- 16 INDICATOR TO SHOW BARG AND °C
- 17 MATERIAL SHALL BE PER APPROVED VENDOR LIST. MANUFACTURER LISTED ABOVE IS FOR REFERENCE.
- 18 ELECTRICAL CONNECTION: M20
- 19 REQUIRED ASSEMBLY AS PER BELOW PIC WITH ISOLATION VALVE
- 20 TRANSMITTERS ARE SUPPLIED WITH THIN FILM TYPE PIEZORESISTIVE SENSORS
- 21 SENSOR FILLING: PAG SYNTHETIC OIL
- 22 REFER TO CONTROL NARRATIVE AND SET POINT LIST FOR THE CONTROLLER ACTION
HOUSING SHALL BE SELECTED TO SHOW TRANSMITTER LCD AT 90 DEGREE FROM INLET AS SHOWN BELOW.



	INDUSTRIAL BIMETAL & GLASS THERMOMETER				Document No:	VD-GPIC-MA-3029-3029-0038-00
					Document Title:	Instrument Data sheet & Catalogs
CLIENT: Gachsaran Polymer Industries Company (GPIC) P.O. NO.: GPIC-PT-MA-PO-000-3029 SERVICE: PROPYLENE REFERIGERATION PACKAGE		NO.	BY	APP	DATE	P.O.I.
		00	N.B	A.M	12.10.25	IFR

THERMOMETER 1. Stem: Threaded <input checked="" type="checkbox"/> Plain <input type="checkbox"/> Union <input type="checkbox"/> Material: STAINLESS STEEL Type:			WELL 10. None <input type="checkbox"/> Included <input checked="" type="checkbox"/> By others <input type="checkbox"/> 11. Material: 304SS <input type="checkbox"/> 316SS <input checked="" type="checkbox"/> Other: <input type="checkbox"/>		
2. Stem or Union Thread: 1/2" <input checked="" type="checkbox"/> 3/4" <input type="checkbox"/> 3. Stem Diameter: Std <input type="checkbox"/> 1/4" <input checked="" type="checkbox"/> 3/8" in. <input type="checkbox"/> 4. Case Material: Std <input type="checkbox"/> Others <input checked="" type="checkbox"/> 316SS			13. Construction: Drilled <input type="checkbox"/> Built-up <input checked="" type="checkbox"/> Other: FLANGED TAPERED SHANK FROM SOLID BAR STOCK		
5. Dial Size: 5" in. Color: WHITE 6. Scale: SEE BELOW Color: BLACK 7. Form: Adjustable <input checked="" type="checkbox"/>			14. MFR. & Model ASHCROFT & SEE TABLE BELOW		
8. External Calibrator <input checked="" type="checkbox"/> Hermetically Sealed Case <input checked="" type="checkbox"/>			15. Connection: SEE TABLE BELOW		



Item	Qty	Tag No.	Range °F (°C)	Oper. Temp. °F (°C)	Stem Depth (S)	Well Conn. Inst. Con.	Lag Ext.	Insert (U)	Service	Model Number Sensor/Well
A	1	TG-61141 RECEIVER	-40 to 250 -40 to 121	117.716 47.62	14 " 355.6	1-1/2"- 300# / 1/2" NPT	-	12 304.8	SYNTHETIC OIL (RECEIVER VESSEL)	
B										
C										
D										
E										
F										
G										

Notes:

- SYSTEM DESIGN PRESSURE & TEMPERATURE: **FV to 362.5 PSIG** 25.0 BarG @ **250 °F** 121 °C **FOR ITEMS: 1**
-45 °F -43 °C
- WETTED MATERIAL IS 316 STAINLESS STEEL**
- ACCURACY: +/- 1 % FULL SPAN**
- INSTRUMENT SHALL BE SUITABLE FOR MARINE, SALT LADEN, CORROSIVE ENVIRONMENT**
- CALIBRATION CERTIFICATE** REQUIRED NOT REQUIRED
- CERTIFICATE OF COMPLIANCE** REQUIRED NOT REQUIRED
- HERMETIC SEAL REQUIRED**
- CUSTOMER SPECIFICATION:** &
- ALL DOCUMENTS TO BE SUBMITTED IN BOTH HARD AND ELECTRONIC FORMAT**
- DUAL SCALE IS REQUIRED**
- MATERIAL SHALL BE PER APPROVED VENDOR LIST. DEVIATION FROM "AVL" IS NOT ALLOWED.**
- THERMOWELL SHALL BE FULL PENETRATION WELD**
- THERMOWELL NATURAL FREQUENCY CALCULATION REQUIRED**



TEMPERATURE TRANSMITTER CONTROL DEVICES

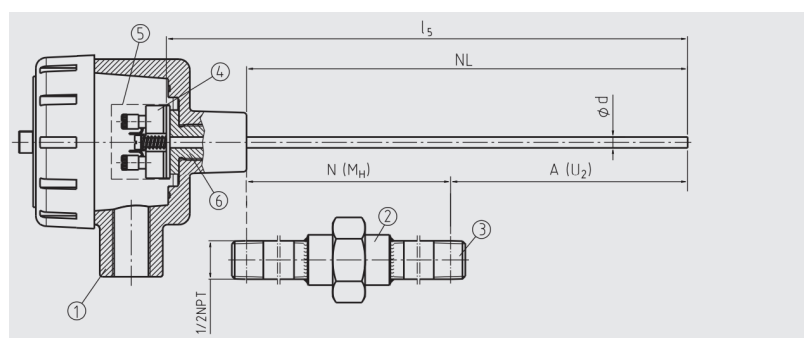
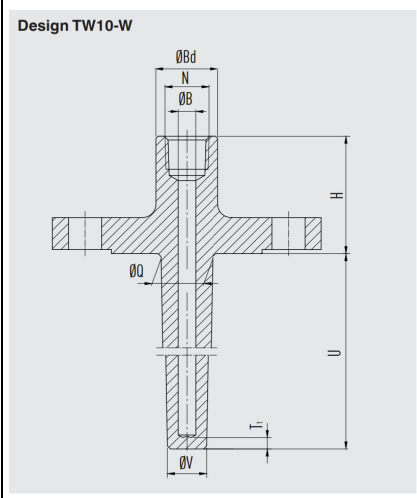
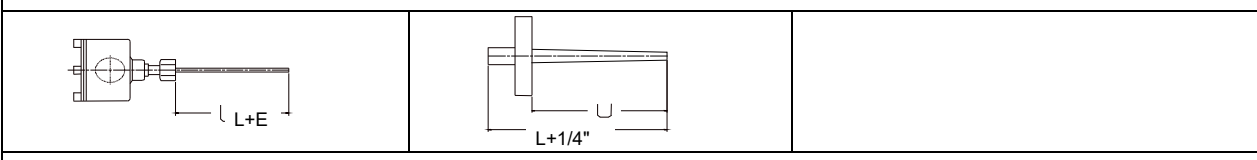
Document No: VD-GPIC-MA-3029-0038-00
 Document Title: Instrument Data sheet & Catalogs

NO.	BY	APP	DATE	P.O.I.
00	N.B	A.M	12.10.25	IFR

CLIENT: Gachsaran Polymer Industries Company (GPIC)
 P.O. NO.: GPIC-PT-MA-PO-000-3029
 SERVICE: PROPYLENE REFERIGERATION PACKAGE

SENSOR WITH THERMOWELL

Item	Qty	Tag No.	Range °F (°C)	Oper. Temp. °F (°C)	LG (L) = (U+H) IN (mm)	Well Conn. Proc./Inst.	EXT. (N)	Ins (U) IN (mm)	LAG (H)	Well Type	Head Mtg	Model Number Sensor/Well
A	1	TE-61141 INLET	-148 to 842 -100 to 450	45.8 7.65	10 " 254 mm	1-1/2" - 300# RF 1/2" NPT	3.0 " 76.2	4.0 " 101.6	3.0 76.2	TAPERED	YES	
B												
C												
D												
E												





TEMPERATURE TRANSMITTER CONTROL DEVICES

Document No: VD-GPIC-MA-3029-0038-00
 Document Title: Instrument Data sheet & Catalogs

NO.	BY	APP	DATE	P.O.I.
00	N.B	A.M	12.10.25	IFR

CLIENT: Gachsaran Polymer Industries Company (GPIC)
 P.O. NO.: GPIC-PT-MA-PO-000-3029
 SERVICE: PROPYLENE REFERIGERATION PACKAGE

Notes:

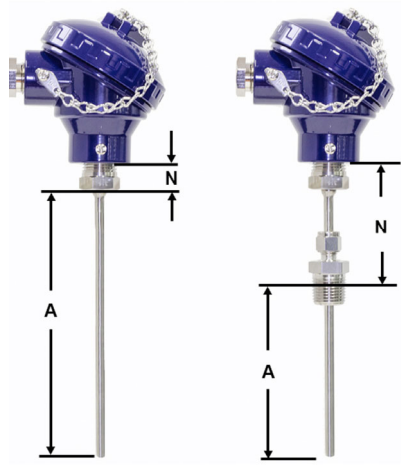
- SYSTEM DESIGN PRESSURE & TEMPERATURE: FV to 362.5 PSIG 25.0 BarG @ 250 °F 121 °C FOR ITEMS: 1
 FV to 406 PSIG 28.0 BarG @ -45 °F -43 °C
 FV to 406 PSIG 28.0 BarG @ 250 °F 121 °C FOR ITEMS:
 -20 °F -29 °C
- TRANSMITTER AND SENSOR ELECTRICAL HOUSING MUST BE POLYURETHANE COVERED DIE ALUMINUM-HOUSING, THERMOWELL IS 316 STAINLESS STEEL
- REFERENCE ACCURACY: +/- 0.075 % OF FULL SCALE & +/- 0.15 % GUARRANTEED STABILITY OVER FIVE YEARS
- INSTRUMENT SHALL BE SUITABLE FOR MARINE, SALT LADEN, CORROSIVE ENVIRONMENT
- CALIBRATION CERTIFICATE REQUIRED NOT REQUIRED
- HARD COPY OF IIEC-79, EExi IIB-T5 CERTIFICATE REQUIRED NOT REQUIRED
- CUSTOMER SPECIFICATION: N/A & N/A
- ELECTRICAL CLASS CERTIFICATION SHALL BE SHOWN ON ALUMINUM DIE-CASTING HOUSING STAMPED USING STAINLESS STEEL TAG PERMANENTLY ATTACHED TO THE DEVICE
- ALL DOCUMENTS TO BE SUBMITTED IN BOTH HARD AND ELECTRONIC FORMAT
- TERMINAL HEAD TO BE ASSEMBLED WITH THERMOWELL USING A UNION
- EXTENSION SECTION OF 3 INCHES (76.2 mm) TO INCLUDE NIPPLE AND UNION
- "SMART" ELECTRONIC TRANSMITTERS WITH "HART PROTOCOL" COMMUNICATION SHALL BE SUITABLE OVER RANGE OF APPLICATION
- EACH TEMPERATURE TRANSMITTER SHALL INCLUDE A MOUNTING BRACKET FOR 2-IN PIPE RACK
- INDICATOR TO SHOW Barg AND °C
- MATERIAL SHALL BE PER APPROVED VENDOR LIST. MANUFACTURER LISTED ABOVE IS FOR REFERENCE.
- BOTH RTD ELEMENTS ARE WIRED AND TERMINATED IN TERMINAL HEAD
- REQUIRED ASSEMBLY AS PER BELOW PICTURES WITH A UNION. ELEMENT LENGTH SHALL BE ADJUSTED FOR THE UNION USE.
- RTD TO BE TERMINATED IN THE TERMINAL HEAD, AND TRANSMITTER TO BE INSTALLED REMOTELY
- REFER TO CONTROL NARRATIVE AND SET POINT LIST FOR THE CONTROLLER ACTION
- THERMOWELL NATURAL FREQUENCE CALCULATION REQUIRED



THERMOWELL & HEAD



REMOTE TRANSMITTER WITH ELECTRONIC DISPLAY



$A = U + H$



TEMPERATURE TRANSMITTER INDICATOR DEVICES

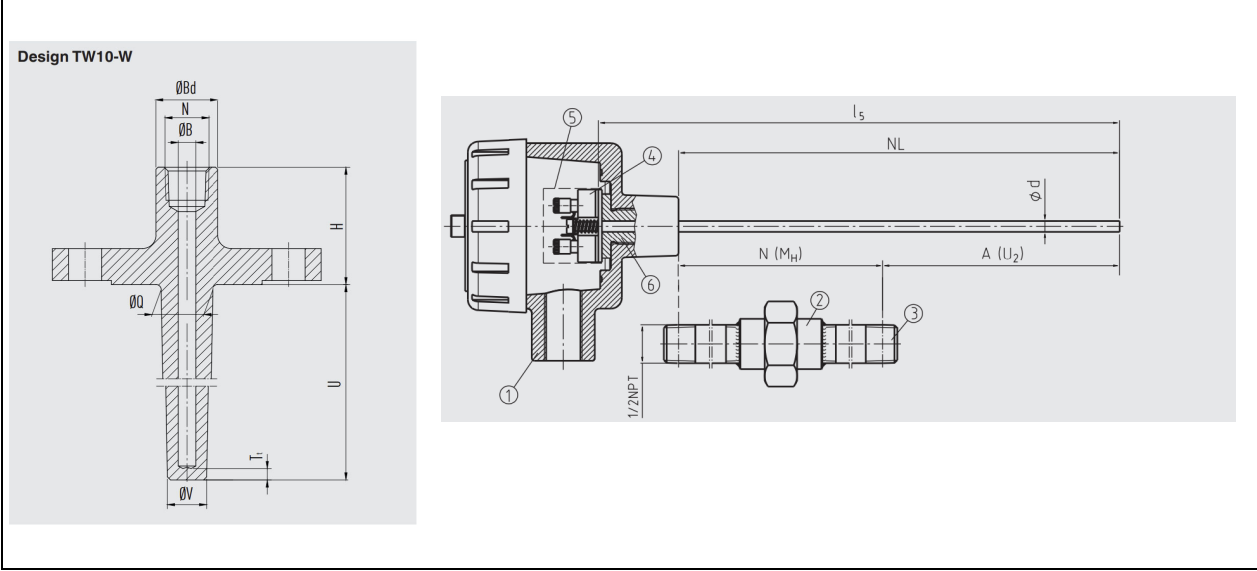
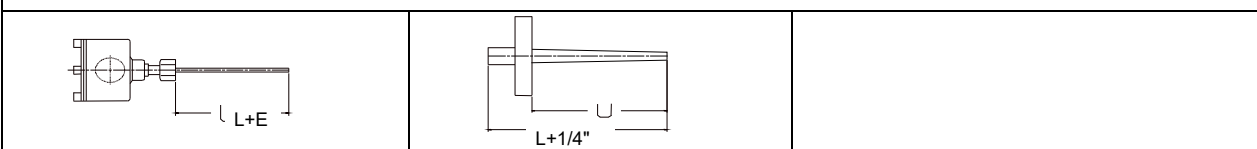
Document No: VD-GPIC-MA-3029-3029-0038-00
 Document Title: Instrument Data sheet & Catalogs


NO.	BY	APP	DATE	P.O.I.
00	N.B	A.M	12.10.25	IFR

CLIENT: Gachsaran Polymer Industries Company (GPIC)
 P.O. NO.: GPIC-PT-MA-PO-000-3029
 SERVICE: PROPYLENE REFRIGERATION PACKAGE

SENSOR WITH THERMOWELL

Item	Qty	Tag No.	Range °F (°C)	Oper. Temp. °F (°C)	LG (L) = (U+H) IN (mm)	Well Conn. Proc./Inst.	EXT. (N)	Ins (U) IN (mm)	LAG (H)	Well Type	Head Mtg	Model Number Sensor/Well
A	1	TE-61111 INLET	-148 to 842 -100 to 450	-12.4 -24.69	18 " 457 mm	1-1/2"- 300# RF 1/2" NPT	3.0 " 76.2	12.0 " 304.8	3.0 76.2	TAPERED	YES	
B		TE-61132 OIL SUPPLY	-148 to 842 -100 to 450	120.0 50	12 " 305 mm	1-1/2"- 300# RF 1/2" NPT	3.0 " 76.2	6.0 " 152.4	3.0 76.2	TAPERED	YES	
C												
D		TE-61131 OIL SEPARATOR	-148 to 842 -100 to 450	171.9 77.70	24 " 610 mm	1-1/2"- 300# RF 1/2" NPT	3.0 " 76.2	18.0 " 457.2	3.0 76.2	TAPERED	YES	
E												



	TEMPERATURE TRANSMITTER INDICATOR DEVICES				Document No: VD-GPIC-MA-3029-3029-0038-00
					Document Title: Instrument Data sheet & Catalogs
CLIENT: Gachsaran Polymer Industries Company (GPIC) P.O. NO.: GPIC-PT-MA-PO-000-3029 SERVICE: PROPYLENE REFERIGERATION PACKAGE	NO.	BY	APP	DATE	P.O.I.
	00	N.B	A.M	12.10.25	IFR

- Notes:
- SYSTEM DESIGN PRESSURE & TEMPERATURE:

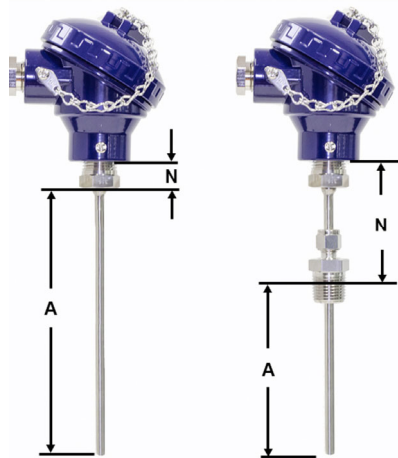
FV to	362.5 PSIG	25.0 BarG	@	250 °F	121 °C	FOR ITEMS:	1, 3
				-45 °F	-43 °C		
FV to	406 PSIG	28.0 BarG	@	250 °F	121 °C	FOR ITEMS:	2
				-20 °F	-29 °C		
 - TRANSMITTER AND SENSOR ELECTRICAL HOUSING MUST BE POLYURETHANE COVERED DIE ALUMINUM-HOUSING, THERMOWELL IS 316 STAINLESS STEEL
 - REFERENCE ACCURACY: +/- 0.075 % OF FULL SCALE & +/- 0.15 % GUARRANTEED STABILITY OVER FIVE YEARS
 - INSTRUMENT SHALL BE SUITABLE FOR MARINE, SALT LADEN, CORROSIVE ENVIRONMENT
 - CALIBRATION CERTIFICATE REQUIRED NOT REQUIRED
 - HARD COPY OF IIEC-79, EExi IIB-T5 CERTIFICATE REQUIRED NOT REQUIRED
 - CUSTOMER SPECIFICATION: N/A & N/A
 - ELECTRICAL CLASS CERTIFICATION SHALL BE SHOWN ON ALUMINUM DIE-CASTING HOUSING STAMPED USING STAINLESS STEEL TAG PERMANENTLY ATTACHED TO THE DEVICE
 - ALL DOCUMENTS TO BE SUBMITTED IN BOTH HARD AND ELECTRONIC FORMAT
 - TERMINAL HEAD TO BE ASSEMBLED WITH THERMOWELL USING A UNION
 - EXTENSION SECTION OF 3 INCHES (76.2 mm) TO INCLUDE NIPPLE AND UNION
 - "SMART" ELECTRONIC TRANSMITTERS WITH "HART PROTOCOL" COMMUNICATION SHALL BE SUITABLE OVER RANGE OF APPLICATION
 - EACH TEMPERATURE TRANSMITTER SHALL INCLUDE A MOUNTING BRACKET FOR 2-IN PIPE RACK
 - INDICATOR TO SHOW Barg AND °C
 - MATERIAL SHALL BE PER APPROVED VENDOR LIST. MANUFACTURER LISTED ABOVE IS FOR REFERENCE.
 - BOTH RTD ELEMENTS ARE WIRED AND TERMINATED IN TERMINAL HEAD OR TRANSMITTER
 - REQUIRED ASSEMBLY AS PER BELOW PICTURES WITH A UNION. ELEMENT LENGTH SHALL BE ADJUSTED FOR THE UNION USE.
 - RTD TO BE TERMINATED IN THE TERMINAL HEAD, AND TRANSMITTER TO BE INSTALLED REMOTELY
 - REFER TO CONTROL NARRATIVE AND SET POINT LIST FOR THE CONTROLLER ACTION
 - THERMOWELL NATURAL FREQUENCE CALCULATION REQUIRED



THERMOWELL & HEAD



REMOTE TRANSMITTER WITH ELECTRONIC DISPLAY



$A = U + H$



TEMPERATURE TRANSMITTER INDICATOR DEVICES

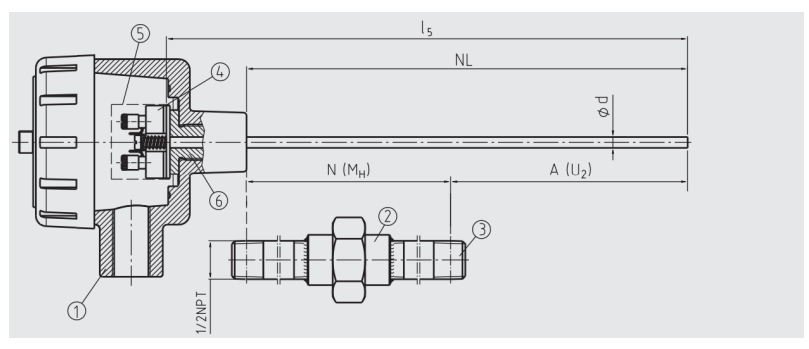
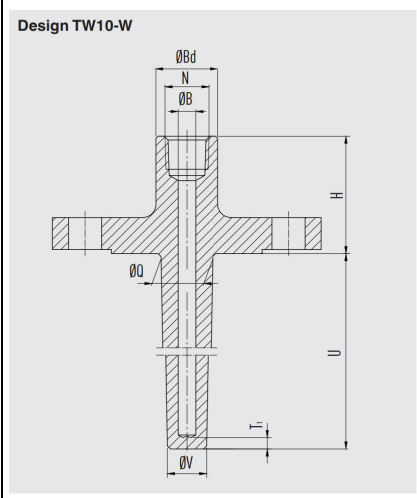
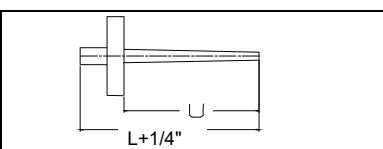
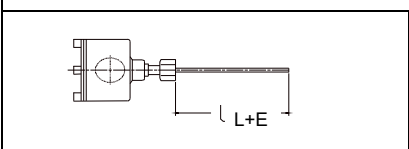
Document No: VD-GPIC-MA-3029-3029-0038-00
 Document Title: Instrument Data sheet & Catalogs


NO.	BY	APP	DATE	P.O.I.
00	N.B	A.M	12.10.25	IFR

CLIENT: Gachsaran Polymer Industries Company (GPIC)
 P.O. NO.: GPIC-PT-MA-PO-000-3029
 SERVICE: PROPYLENE REFRIGERATION PACKAGE

SENSOR WITH THERMOWELL

Item	Qty	Tag No.	Range °F (°C)	Oper. Temp. °F (°C)	LG (L) = (U+H) IN (mm)	Well Conn. Proc./Inst.	EXT. (N)	Ins (U) IN (mm)	LAG (H)	Well Type	Head Mtg	Model Number Sensor/Well
A	1	TE-61121 INLET	-148 to 842 -100 to 450	-12.4 -24.69	18 " 457 mm	1-1/2" - 300# RF 1/2" NPT	3.0 " 76.2	12.0 " 304.8	3.0 76.2	TAPERED	YES	
B												
C												
D												
E												



	TEMPERATURE TRANSMITTER INDICATOR DEVICES				Document No:	VD-GPIC-MA-3029-3029-0038-00
					Document Title:	Instrument Data sheet & Catalogs
CLIENT: Gachsaran Polymer Industries Company (GPIC) P.O. NO.: GPIC-PT-MA-PO-000-3029 SERVICE: PROPYLENE REFERIGERATION PACKAGE	NO.	BY	APP	DATE	P.O.I.	
	00	N.B	A.M	12.10.25	IFR	

- Notes:
- SYSTEM DESIGN PRESSURE & TEMPERATURE:

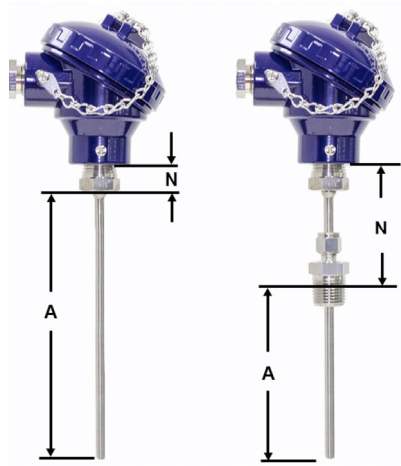
FV to	362.5 PSIG	25.0 BarG	@	250 °F	121 °C	FOR ITEMS:	1
				-45 °F	-43 °C		
FV to	406 PSIG	28.0 BarG	@	250 °F	121 °C	FOR ITEMS:	
				-20 °F	-29 °C		
 - TRANSMITTER AND SENSOR ELECTRICAL HOUSING MUST BE POLYURETHANE COVERED DIE ALUMINUM-HOUSING, THERMOWELL IS 316 STAINLESS STEEL
 - REFERENCE ACCURACY: +/- 0.075 % OF FULL SCALE & +/- 0.15 % GUARRANTEED STABILITY OVER FIVE YEARS
 - INSTRUMENT SHALL BE SUITABLE FOR MARINE, SALT LADEN, CORROSIVE ENVIRONMENT
 - CALIBRATION CERTIFICATE REQUIRED NOT REQUIRED
 - HARD COPY OF IIEC-79, EExi IIB-T5 CERTIFICATE REQUIRED NOT REQUIRED
 - CUSTOMER SPECIFICATION: N/A & N/A
 - ELECTRICAL CLASS CERTIFICATION SHALL BE SHOWN ON ALUMINUM DIE-CASTING HOUSING STAMPED USING STAINLESS STEEL TAG PERMANENTLY ATTACHED TO THE DEVICE
 - ALL DOCUMENTS TO BE SUBMITTED IN BOTH HARD AND ELECTRONIC FORMAT
 - TERMINAL HEAD TO BE ASSEMBLED WITH THERMOWELL USING A UNION
 - EXTENSION SECTION OF 3 INCHES (76.2 mm) TO INCLUDE NIPPLE AND UNION
 - "SMART" ELECTRONIC TRANSMITTERS WITH "HART PROTOCOL" COMMUNICATION SHALL BE SUITABLE OVER RANGE OF APPLICATION
 - EACH TEMPERATURE TRANSMITTER SHALL INCLUDE A MOUNTING BRACKET FOR 2-IN PIPE RACK
 - INDICATOR TO SHOW Barg AND °C
 - MATERIAL SHALL BE PER APPROVED VENDOR LIST. MANUFACTURER LISTED ABOVE IS FOR REFERENCE.
 - BOTH RTD ELEMENTS ARE WIRED AND TERMINATED IN TERMINAL HEAD
 - REQUIRED ASSEMBLY AS PER BELOW PICTURES WITH A UNION. ELEMENT LENGTH SHALL BE ADJUSTED FOR THE UNION USE.
 - RTD TO BE TERMINATED IN THE TERMINAL HEAD, AND TRANSMITTER TO BE INSTALLED REMOTELY
 - REFER TO CONTROL NARRATIVE AND SET POINT LIST FOR THE CONTROLLER ACTION
 - THERMOWELL NATURAL FREQUENCE CALCULATION REQUIRED




THERMOWELL & HEAD



REMOTE TRANSMITTER WITH ELECTRONIC DISPLAY

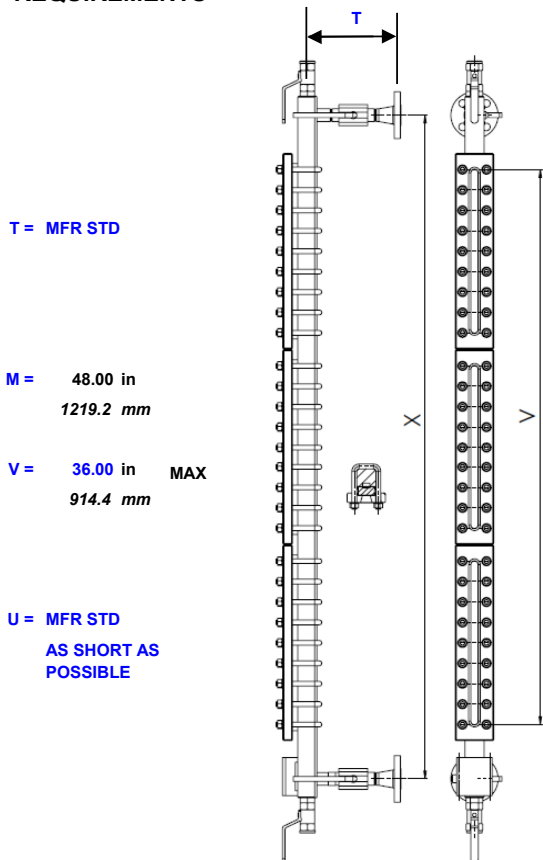



A = U + H

	GAUGES GLASSES & COCKS				Document No:	VD-GPIC-MA-3029-3029-0038-00
					Document Title:	Instrument Data sheet & Catalogs
CLIENT: Gachsaran Polymer Industries Company (GPIC) P.O. NO.: GPIC-PT-MA-PO-000-3029 SERVICE: PROPYLENE REFERIGERATION PACKAGE	NO.	BY	APP	DATE	P.O.I.	
	00	N.B	A.M	12.10.25	IFR	

- NOTES:
- 1 SYSTEM DESIGN PRESSURE & TEMPERATURE: FV to 362.5 PSIG 25.0 BarG @ 250 °F 121 °C
-45 °F -43 °C
 - 2 WETTED MATERIAL IS 316L STAINLESS STEEL
 - 3 MATERIAL TEST REPORT TO INCLUDE CHARPY IMPACT TEST PER ASME & ASTM CODES
 - 4 INSTRUMENT SHALL BE SUITABLE FOR ON-SHORE SERVICE
 - 5 CALIBRATION CERTIFICATE REQUIRED NOT REQUIRED
 - 6 CERTIFICATE OF COMPLIANCE REQUIRED NOT REQUIRED
 - 7 316SS NAMEPLATE REQUIRED NOT REQUIRED
 - 8 CUSTOMER SPECIFICATION: N/A & N/A
 - 9 C TO C DISTA 48 inches 1,219.2 mm
 - 10 VENT AND DRAIN CONNECTION SHALL BE SUPPLIED WITH BALL VALVES

REQUIREMENTS



	LEVEL TRANSMITTER INDICATOR DEVICES				Document No:	VD-GPIC-MA-3029-3029-0038-00
					Document Title:	Instrument Data sheet & Catalogs
CLIENT: Gachsaran Polymer Industries Company (GPIC) P.O. NO.: GPIC-PT-MA-PO-000-3029 SERVICE: PROPYLENE REFRIGERATION PACKAGE	NO.	BY	APP	DATE	P.O.I.	
	00	N.B	A.M	12.10.25	IFR	

- Notes:
- 1 SYSTEM DESIGN PRESSURE & TEMPERATURE: FV to 362.5 PSIG 25.0 BarG @ 250 °F 121 °C
-49 °F -45 °C
 - 2 NORMAL OPERATING CONDITIONS ARE: FV to 59.6 PSIG 4.1 BarG @ 158 °F 70 °C FOR ITEMS: 1
158 °F 70 °C FOR ITEMS:
 - 3 TRANSMITTER ELECTRICAL HOUSING MUST BE POLYURETHANE COVERED ALUMINUM
 - 4 REFERENCE ACCURACY: +/- 0.075 % OF FULL SCALE & +/- 0.15 % GUARRANTEED STABILITY OVER FIVE YEARS
 - 5 INSTRUMENT SHALL BE SUITABLE FOR MARINE, SALT LADEN, CORROSIVE ENVIRONMENT
 - 6 CALIBRATION CERTIFICATE REQUIRED NOT REQUIRED
 - 7 HARD COPY OF IEC-79, EExi IIB-T5 CERTIFICATE REQUIRED NOT REQUIRED
 - 8 MATERIAL TEST REPORT REQUIRED NOT REQUIRED
 - 9 CUSTOMER SPECIFICATION: N/A & N/A
 - 10 ALL DOCUMENTS TO BE SUBMITTED IN BOTH HARD AND ELECTRONIC FORMAT
 - 11 INDICATOR TO SHOW PERCENTAGE
 - 12 AUSTENSIC 316 SS BOLTS REQUIRED
 - 13 NAMEPLATE TO BE MOUNTED TO TOP FLANGE
 - 14 HIGH PRESSURE SIDE, PROCESS CONNECTION IS 2"-300# ANSI RF FLG.
 - 15 LIQUID DENSITY : 65 LB/FT3 1044 KG/M3
 - 16 LOW PRESSURE SIDE, PROCESS CONNECTION 2"-300# ANSI RF FLG
 - 17 LCD METER WITH POLYURETHANE COVERED ALUMINUM COVER REQUIRED
 - 18 "SMART" ELECTRONIC TRANSMITTERS WITH "HART PROTOCOL" COMMUNICATION SHALL BE SUITABLE OVER RANGE OF APPLICATION
 - 19 ELECTRICAL CLASS CERTIFICATION SHALL BE SHOWN ON A DIE-STAMPED STAINLESS STEEL TAG PERMANENTLY ATTACHED TO THE
 - 20 DEVICE ELECTRICAL CONNECTION: M20
 - 21
 - 22 LIQUID MEDIA IS PAG OIL WITH OPERATING CONDITIONS SHOWN IN TABULATION
 - 23 DISTANCE BETWEEN NOZZLES THAT COVERS THE TRANSMITTER CALIBRATION RANGE IS: 48.00 inches 1,214.4 mm
 - 24 IT IS THE RESPONSIBILITY OF THE SUPPLIER TO ASSURE THAT THE FLOATS FIT INSIDE THE CHAMBER
 - 25 TRANSMITTER ORIENTATION SHALL AS PER SHOWN PER BELOW SNAPSHOT CALLED "ACTUAL DESIGN"



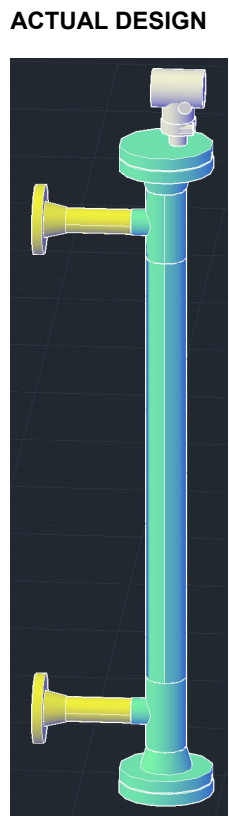
X = 14.38 in
 365 mm

 T = MFR STD

 M = 48.00 in
 1219 mm

 U = MFR STD
 AS SHORT AS
 POSSIBLE

 Z = 1 in
 25.4 mm




	SIGHT INDICATOR (ROTAMETER)				Document No:	VD-GPIC-MA-3029-3029-0038-00
					Document Title:	Instrument Data sheet & Catalogs
CLIENT: Gachsaran Polymer Industries Company (GPIC) P.O. NO.: GPIC-PT-MA-PO-000-3029 SERVICE: PROPYLENE REFRIGERATION PACKAGE	NO.	BY	APP	DATE	P.O.I.	
	00	N.B	A.M	12.10.25	IFR	


Item No.	A				B				C
Tag No.	SI-701-O-4 RECEIVER				FG-61131 OIL DEPARATOR				
Connections									
Inlet	3/4"-300# ANSI RF				1-1/2"-300# ANSI RF				
Outlet	3/4"-300# ANSI RF				1-1/2"-300# ANSI RF				
Rating	300#				300#				
Drawing									
P&ID	VD-GPIC-MA-3029-3029-0015				VD-GPIC-MA-3029-3029-0015				
Type									
Mounting	IN-LINE HORIZONTALLY MOUNTED				IN-LINE HORIZONTALLY MOUNTED				
Construction	BULL'S EYE TYPE (DUAL WINDOW)				BULL'S EYE TYPE (DUAL WINDOW)				
Type	ROTOR				ROTOR				
Material									
Body	STAINLESS STEEL - A351-CF8				STAINLESS STEEL - A351-CF8				
Glass	TEMPERED BOROSILICATE GLASS (SHATTER PROOF)				TEMPERED BOROSILICATE GLASS (SHATTER PROOF)				
Seal/Elastomer	TEFLON				TEFLON				
Bolts / Nuts	SA193-B7 / SA194-2H				SA193-B8 / SA194-8				
Service									
Media	SYNTHETIC OIL / PROPYLENE REFRIGERANT				SYNTHETIC OIL / PROPYLENE REFRIGERANT				
Phase	LIQUID / VAPOR				GAS / VAPOR				
Operating Conditions									
Pressure	270.2	PSIG	18.6	BarG	270.7	18.67	BarG		
Temperature	116.96	°F	47.2	°C	171	77.2	°C		
Manufacture									
Model	FS03-02-02-04 (3/4")				FS03-02-02-04 (3/4")				
Quantity	2				2				


Notes:

- SYSTEM DESIGN PRESSURE & TEMPERATURE: FV to 362.5 PSIG 25.0 BarG @ 250 °F 121 °C
 MINIMUM DESIGN TEMPERATURE -45 °F -43 °C FOR: 3
 -20 °F -29 °C FOR: 1
- WETTED MATERIAL IS 316 STAINLESS STEEL
- INSTRUMENT SHALL BE SUITABLE FOR MARINE, SALT LADEN, CORROSIVE ENVIRONMENT
- CALIBRATION CERTIFICATE REQUIRED NOT REQUIRED
- CERTIFICATE OF COMPLIANCE REQUIRED NOT REQUIRED
- 316SS NAMEPLATE REQUIRED NOT REQUIRED
- NACE MR-0175-RATED
- ALL DOCUMENTS TO BE SUBMITTED IN BOTH HARD AND ELECTRONIC FORMAT
- BOLTS / NUTS SHALL BE CADMIUM PLATED
- INDIVIDUAL PART WEIGHT MUST BE CERTIFIED
- WHERE APPLICABLE, PMI REQUIRED PER SPECIFICATION
- INSPECTION PER STATED CODES
- STAINLESS STEEL MATERIAL CAN BE QUOTED IF CARBON STEEL IS NOT AVAILABLE
- HYDROSTATIC CERTIFICATE REQUIRED FOR ALL VALVES



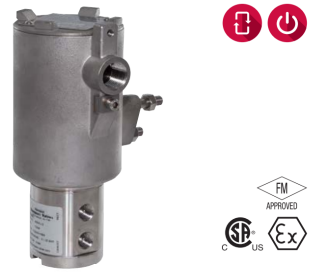
				SOLENOID VALVE				Document No:	VD-GPIC-MA-3029-3029-0038-00			
								Document Title:	Instrument Data sheet & Catalogs			
				NO.	BY	APP	DATE	P.O.I.				
				00	N.B	A.M	12.10.25	IFR				
CLIENT: Gachsaran Polymer Industries Company (GPIC) P.O. NO.: GPIC-PT-MA-PO-000-3029 SERVICE: PROPYLENE REFERIGERATION PACKAGE												
GENERAL	0	Item No.	A									
	1	Tag No.	LOAD	XY-61112	&	XY-61122						
		UNLOAD	XY-61111	&	XY-61121							
	2	Service	AIR									
	3	Line No. / Vessel No.	COMPRESSOR LOADING / UNLOADING									
4	Valve No.	DIRV-61111 DIRV-61111										
VALVE BODY	5	Type	3 WAY DIRECT ACTING w/ QUICK EXHAUST									
	6	Size - Body / Port	1/4" / 3									
	7	Rating & Type Connection	NPT									
	8	Material - Body	316 STAINLESS STEEL									
	9	Material - Disc (Trim)	BUNA (HIGH NITRILE)									
	10	Material-Diaphragm / Coil	EPOXY MOLDED									
	11	Operation - Direct/Pilot	DIRECT									
	12	Packless or Type Packed	----									
	13	Manual Reset Lever	----									
	14	Manual Operator(override)	INCLUDED									
	15											
16												
WHEN DE-ENERGIZE	17	2-Ways Valve Opens/Close	---									
	18	3-Way (NOTE 10)	YES									
	19	Vent Port Opens/Close	OPENS									
	20	Pressure Port Opens/Close	CLOSES									
	21	4-Way	----									
	22	Pressure to Cyl. 1/ Cyl. 2	----									
	23	Exh. from Cyl. 1/ Cyl. 2	----									
	24											
	25											
SOLENOID	26	Enclosure	IEC-79, Eex(d) IIC-T6 IP66 (NEMA-4X)									
	27	Voltage/Hz	24 VDC (LOW POWER OPERATOR)									
	28	Style of Coil	CL. "H" HERMETICALLY SEALED HIGH TEMP.									
	29	Single or Double Coil	SINGLE									
	30	Area Classification	IEC-79, ZONE 2, GROUP IIB, T3									
	31	Cable Entry	M20 x 1.5 mm									
SERVICE CONDITION	32	Fluid	AIR									
	33	Qty., Max	8	SCFM	12.7	S M3/HR						
	34	Operating Differential Min/Max	10	/ 15	PSID	0.7 / 1.03	BarD					
	35	Allow. Differential Min/Max	20	/ 150	PSID	1.4 / 10.3	BarD					
	36	Temperature Norm/Max	70	/ 100	°F	21 / 37.8	°C					
	37	Operating Specific Gravity	1.0									
	38	Operating Viscosity	----									
	39	Required Cv	0.200									
	40	Valve Cv / Orifice	0.8 /									
	41											
	42	Agency Approval	ATEX									
	43											
	44											
	45	Manufacturer	ASCO									
46	Model No.	WSNFET8327B302MS 24VDC				MOUNTING BRACKET NO.: C133441						
47	QTY	4										
NOTES:	1	SYSTEM DESIGN PRESSURE & TEMPERATURE:										
	2		150	PSIG	10	BarG	@	300	°F	149	°C	
	3							-20	°F	-29	°C	
	4	INSTRUMENT SHALL BE SUITABLE FOR MARINE, SALT LADEN, CORROSIVE ENVIRONMENT										
	5	CALIBRATION CERTIFICATE	<input type="checkbox"/>	REQUIRED		<input checked="" type="checkbox"/>	NOT REQUIRED					
	6	CERTIFICATE OF COMPLIANCE	<input checked="" type="checkbox"/>	REQUIRED		<input type="checkbox"/>	NOT REQUIRED					
	7	HARD COPY OF IEC-79, EEXD IIC-T6 CERTIFICATE	<input checked="" type="checkbox"/>	REQUIRED		<input type="checkbox"/>	NOT REQUIRED					
	8	AREA CLASSIFICATION:	IEC-79, ZONE 2, GROUP IIB, T3									
	9	MANUFACTURER CALCULATION / SIZING SHEET	<input type="checkbox"/>	REQUIRED		<input checked="" type="checkbox"/>	NOT REQUIRED					
	10	STAINLESS STEEL NAMEPLATE (316)	<input checked="" type="checkbox"/>	REQUIRED		<input type="checkbox"/>	NOT REQUIRED					
	11	COILS SHALL BE FITTED WITH SURGE SUPPRESSION DIODES.										
	12	SOLENOID VALVE POWER CONSUMPTION SHALL BE LESS THAN 10 WATTS.										
	13	BUG SCREENS SHALL BE INSTALLED ON EXHAUST										
	14	LEADS TO BE TERMINATED IN A CONDUIT BOX SUITABLE FOR AREA CLASSIFICATION.										
	15	ALL DOCUMENTS TO BE SUBMITTED IN BOTH HARD AND ELECTRONIC FORMAT										
	INDIVIDUAL PART WEIGHT MUST BE CERTIFIED											

			SOLENOID VALVE (CAPACITY CONTROL)		Document No: VD-GPIC-MA-3029-3029-0038-00
					Document Title: Instrument Data sheet & Catalogs
			NO.	BY	APP
			00	N.B	A.M
			DATE	P.O.I.	
			12.10.25	IFR	
CLIENT: Gachsaran Polymer Industries Company (GPIC) P.O. NO.: GPIC-PT-MA-PO-000-3029 SERVICE: PROPYLENE REFRIGERATION PACKAGE					
GENERAL	0	Item No.	A		
	1	Tag No.	XV-61151 XV-61152		
	2	Service	OIL		
	3	Line No. / Vessel No.	OIL RECOVERY SYSTEM		
	4	Valve No.	N/A		
VALVE BODY	5	Type (NOTE 16)	2 WAY DIRECT ACTING w/ QUICK EXHAUST		
	6	Size - Body / Port	1/2" / 2		
	7	Rating & Type Connection	NPT		
	8	Material - Body	316 STAINLESS STEEL		
	9	Material - Disc (Trim)	VITON		
	10	Material-Diaphragm / Coil	EPOXY MOLDED		
	11	Operation - Direct/Pilot	DIRECT		
	12	Packless or Type Packed	----		
	13	Manual Reset Lever	----		
	14	Manual Operator(override)	INCLUDED		
	15				
	16				
WHEN DE-ENERGIZE	17	2-Ways Valve Opens/Close	YES		
	18	3-Way (NOTE 10)	NO		
	19	Vent Port Opens/Close	N/A		
	20	Pressure Port Opens/Close	CLOSES		
	21	4-Way	----		
	22	Pressure to Cyl. 1/ Cyl. 2	----		
	23	Exh. from Cyl. 1/ Cyl. 2	----		
	24				
	25				
SOLENOID	26	Enclosure	IEC-79, Eex(d) IIC-T6 IP66 (NEMA-4X)		
	27	Voltage/Hz	24 VDC (LOW POWER OPERATOR)		
	28	Style of Coil	CL. "H" HERMETICALLY SEALED HIGH TEMP.		
	29	Single or Double Coil	SINGLE		
	30	Area Classification	IEC-79, ZONE 2, GROUP IIB, T3		
	31	Cable Entry	M20 x 1.5 mm		
SERVICE CONDITION	32	Fluid	OIL (PAG) / PROPYLENE		
	33	Qty., Max	5 GPM / 19 LPM		
	34	Operating Differential Min/Max	1 / 5 PSID 0.1 / 0.345 BarD		
	35	Allow. Differential Min/Max	5 / 290 PSID 0.3 / 20 BarD		
	36	Temperature Norm/Max	-12.4 / 145 °F -25 / 62.78 °C		
	37	Operating Specific Gravity	0.96		
	38	Operating Viscosity	----		
	39	Required Cv	2.191		
	40	Valve Cv / Orifice	3.80		
	41				
	42	Agency Approval	ATEX		
	43				
	44				
	45	Manufacturer			
46	Model No.				
47	QTY	2			
NOTES:	1	SYSTEM DESIGN PRESSURE & TEMPERATURE: FV to 362.5 PSIG 25.0 BarG @ 250 °F 121 °C			
	2	-45 °F -43 °C			
	3	INSTRUMENT SHALL BE SUITABLE FOR MARINE, SALT LADEN, CORROSIVE ENVIRONMENT			
	4	CALIBRATION CERTIFICATE	<input type="checkbox"/> REQUIRED	<input checked="" type="checkbox"/> NOT REQUIRED	
	5	CERTIFICATE OF COMPLIANCE	<input checked="" type="checkbox"/> REQUIRED	<input type="checkbox"/> NOT REQUIRED	
	6	HARD COPY OF IEC-79, EEXD IIC-T6 CERTIFICATE	<input checked="" type="checkbox"/> REQUIRED	<input type="checkbox"/> NOT REQUIRED	
	7	AREA CLASSIFICATION: IEC-79, ZONE 2, GROUP IIB, T3			
	8	MANUFACTURER CALCULATION / SIZING SHEET	<input type="checkbox"/> REQUIRED	<input checked="" type="checkbox"/> NOT REQUIRED	
	9	STAINLESS STEEL NAMEPLATE (316)	<input checked="" type="checkbox"/> REQUIRED	<input type="checkbox"/> NOT REQUIRED	
	10	COILS SHALL BE FITTED WITH SURGE SUPPRESSION DIODES.			
	11	SOLENOID VALVE POWER CONSUMPTION SHALL BE LESS LESS THAN 10 WATTS.			
	12	LEADS TO BE TERMINATED IN A CONDUIT BOX SUITABLE FOR AREA CLASSIFICATION.			
	13	ALL DOCUMENTS TO BE SUBMITTED IN BOTH HARD AND ELECTRONIC FORMAT			
	14	INDIVIDUAL PART WEIGHT MUST BE CERTIFIED			
	15	3-WAY VALVES MAY BE USED BY PLUGGING BLEED PORT.			

	SOLENOID VALVE (CAPACITY CONTROL)				Document No: VD-GPIC-MA-3029-3029-0038-00
					Document Title: Instrument Data sheet & Catalogs
NO.		BY	APP	DATE	P.O.I.
00		N.B	A.M	12.10.25	IFR
CLIENT: Gachsaran Polymer Industries Company (GPIC)					
P.O. NO.: GPIC-PT-MA-PO-000-3029					
SERVICE: PROPYLENE REFERIGERATION PACKAGE					

IMI MAXSEAL ICO4S 2/2, 3/2 or 5/2 poppet valves electromagnetic actuated, directly controlled

- > Port size: 1/4" ... 3/4" (ISO G/NPT) or manifold version
- > Direct acting solenoid valve for the control of hydraulic or pneumatic equipment
- > High flow
- > Up to 414 bar inlet pressure
- > Reliable and long life, ideal for a one time installation
- > Certifications: ATEX, CSA, CSA, TR CU, NEPSI, KOSHA, IECEX, FM, CRN, CCOE IN-METRO
- > Environmental protection; NEMA 4X, IP66/X8



Technical features

Medium: Hydraulic and pneumatic – customer to specify and confirm compatibility
Operation: Direct solenoid operated poppet valves
Mounting position: Solenoid vertical

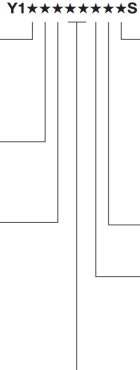
Flow: 0,8 Cv (11,5 Kv) ... 5,0 Cv (72,0 Kv)
Port size: 1/4 NPT, 1/2 NPT, G1/4, G1/2 or manifold version
Operating pressure: 0 ... 20 bar (0 ... 290 psi)
0 ... 50 bar (0 ... 725 psi)
0 ... 207 bar (0 ... 3002 psi)
0 ... 414 bar (0 ... 6004 psi)

Temperature:
Media: -20 ... +90°C (-4 ... +194°F)
Options to -60°C (-76°F) available on request
Ambient: See table on page 2
Air supply must be dry enough to avoid ice formation at temperatures below +2°C (+35°F).

Materials:
Valve body, trim, coil housing and top cover: stainless steel 1.4404 (316 L)
Other trim and body materials available
O-rings seats & seals: high NBR
Other seal materials available on request

IMI MAXSEAL ICO4S 2/2, 3/2 or 5/2 poppet valves electromagnetic actuated, directly controlled

Option selector Y1*****S

Operating pressure	Substitute		Voltage	Substitute
0 ... 12 bar (0 ... 175 psi)	1		18/33 V d.c.	A
0 ... 20 bar (0 ... 290 psi)	2		24 V d.c.	B
0 ... 50 bar (0 ... 725 psi)	3		48/50 V d.c. (50 V)	C
0 ... 207 bar (0 ... 3002 psi)	6		110 V d.c.	D
0 ... 414 bar	9		125 V d.c.	E
Number of ports	Substitute		220/240 V d.c. (240 V)	F
2/2 NC (standard)	1		24 V a.c.	G
2/2 NO	2		110 V a.c.	J
3/2 NC (universal)	3		12 V d.c.	L
5/2	5	220/240 V a.c. (240 V)	M	
Operation	Substitute	Conduit connection	Substitute	
Automatic	A	M20 x 1.5 mm	1	
Automatic latching lever	B	1/2 NPT	2	
Push button manual override	C	Seat / seal material	Substitute	
Lever manual reset (414 bar only)	L	High Nitrile (standard)	H	
Lever manual override (414 bar only)	M	FKM	V	
Push button manual reset	P			
Jack screw manual override	S			
Tamper proof manual reset	T			
Port size	Substitute			
1/4 NPT	A1			
G 1/4	E1			
1/2 NPT	A3			
G 1/2	E3			
3/4 NPT	A5			
G 3/4	E5			
Manifold	KF			



SOLENOID VALVE (CAPACITY CONTROL)				Document No:	VD-GPIC-MA-3029-3029-0038-00
				Document Title:	Instrument Data sheet & Catalogs
NO.	BY	APP	DATE	P.O.I.	
00	N.B	A.M	12.10.25	IFR	

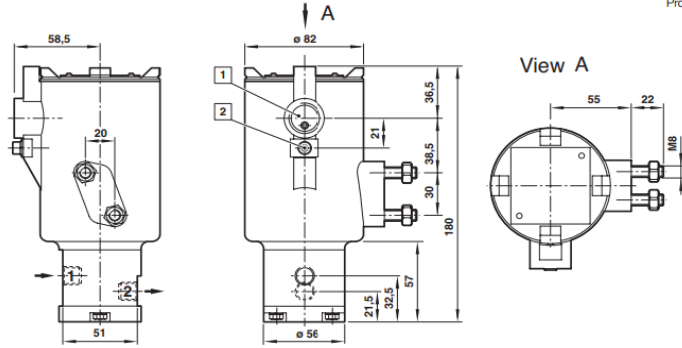
CLIENT: Gachsaran Polymer Industries Company (GPIC)
P.O. NO.: GPIC-PT-MA-PO-000-3029
SERVICE: PROPYLENE REFERIGERATION PACKAGE

ICO4S 2/2, 3/2 or 5/2 poppet valves
electromagnetic actuated, directly controlled



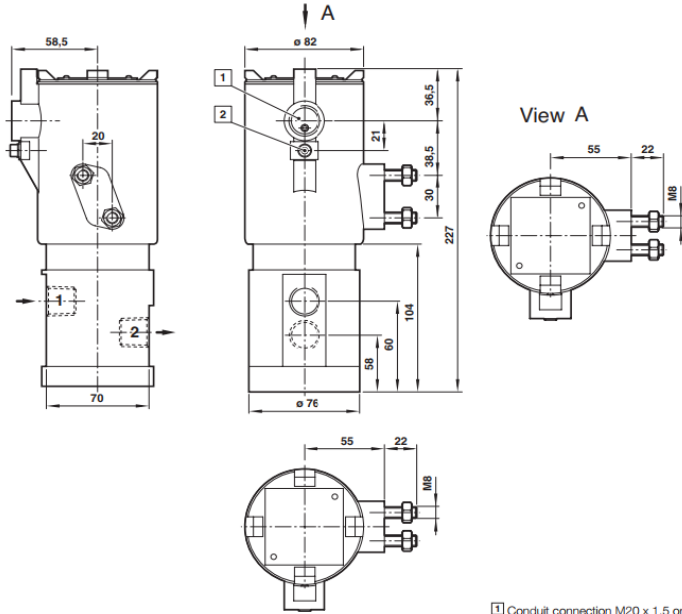
Dimensions

①



Dimensions in mm
Projection/First angle

②



- ① Conduit connection M20 x 1,5 or 1/2 NPT
- ② External earth