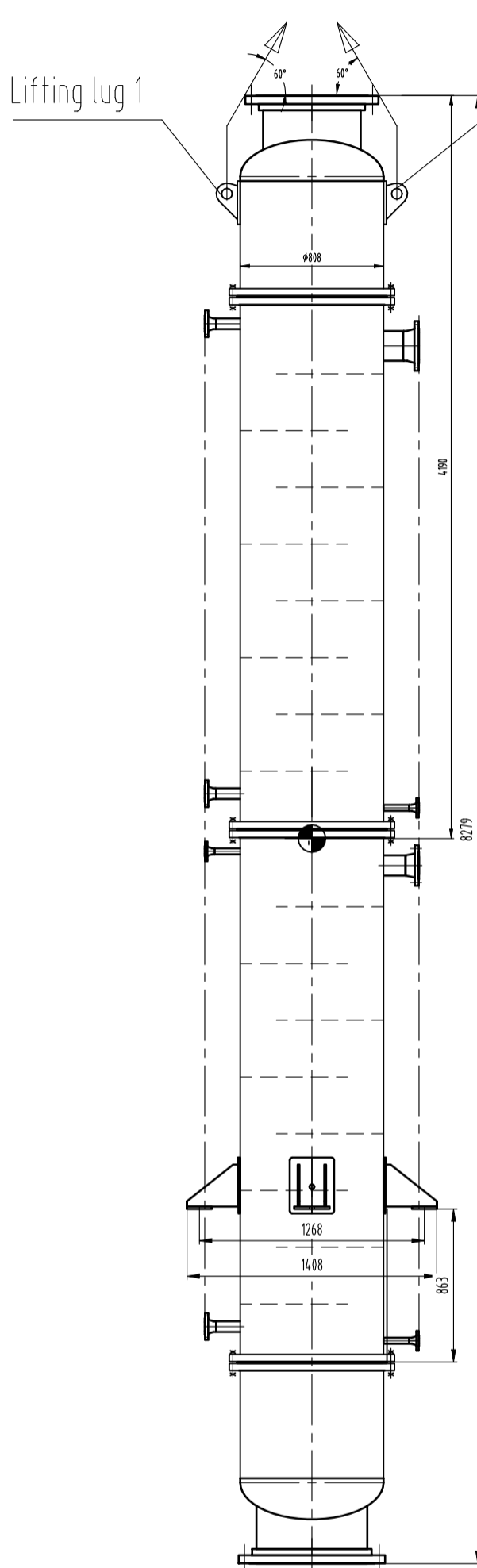
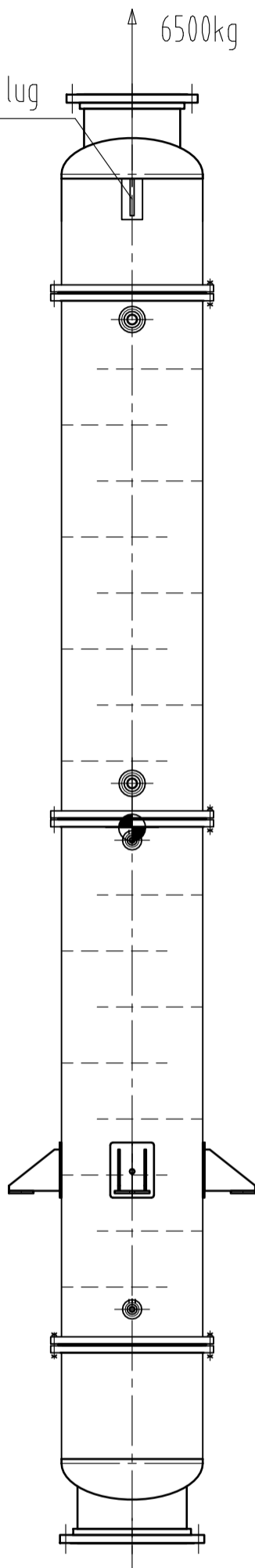


Lifting lug  
6500kg

Lifting lug 1

Lifting lug 2

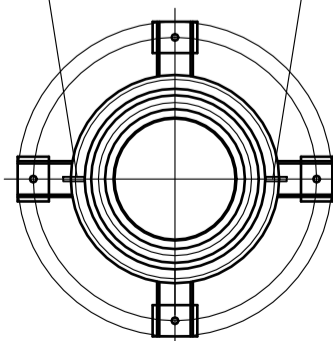


技术要求 Technical requirements



- 1.设备通过吊架位置1、2轴上吊装。
- 1.The devices must be lifted vertically from lifting lug 1,2.
- 2.吊架时采用钢丝绳。
2. Wire rope is used for hoisting.
- 3.设备净重: 6.5吨 含包装及支腿重量: 7.5吨。
- 3.Net weight of equipment:6.5t Total weight including package and outrigger:7.5t.
- 4.设备重量以竣工图为准。
- 4.The weight of equipment shall be subject to as-built drawing.

Lifting lug 1

Lifting lug 2



吊具起吊位置示意  
Lifting position diagram of spreader  
Lifting lug 1  
Lifting lug 2

		<b>Tahriz Petrochemical Company</b> <b>310 KTPA HDPE Plant</b>			
CONTRACT NO.: PURCHASE ORDER NO.:000X		DRAWING TITLE: Nitrogen Heater (1st Stage/2nd Stage) Lifting Drawing for Fluid Bed Dryer Package Unit (16-PK-221)		SIZE: 5:30	
DRAWING NO.:		VENDOR DWG NO.:		CLASS: 2	REV: 00
DATE: 20-Sep-24		PREP:	CHG:	APPD:	AUTH:
1	2	3	4	1 OF 1	A3