



LIDCO, Pars SEE Zone, Assaluyeh,
Integrated Methanol and Ammonia
Plant 3000 MTPD MeOH / 900 MTPD NH3 PROJECT



Detail Drawings for Coolers



Document No. 17735-23A

Project No.	Vendor Doc.	P.O. No.	Department	Document Type	Serial No	Revision	Page
N278	VD	6019	ME	DWG	0024	01	Page 1 of 3

**Airpack B.V. - Air Compressor –
Integrated Methanol and Ammonia Plant
17735-COM Detail Drawings for Coolers (K020)**

REV.	DATE	DESCRIPTION	DRAWN	CHECKED	APPROVED
01	13-12-2023	Issued for Information	S.K.	J.J.	S.K.

This document has been produced by Contractor for LIDCO. It is confidential and cannot be disclosed to or used by any third party for any purpose without prior written consent.

Detail Drawings for Coolers

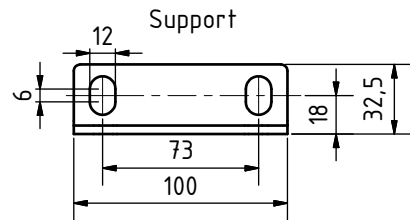
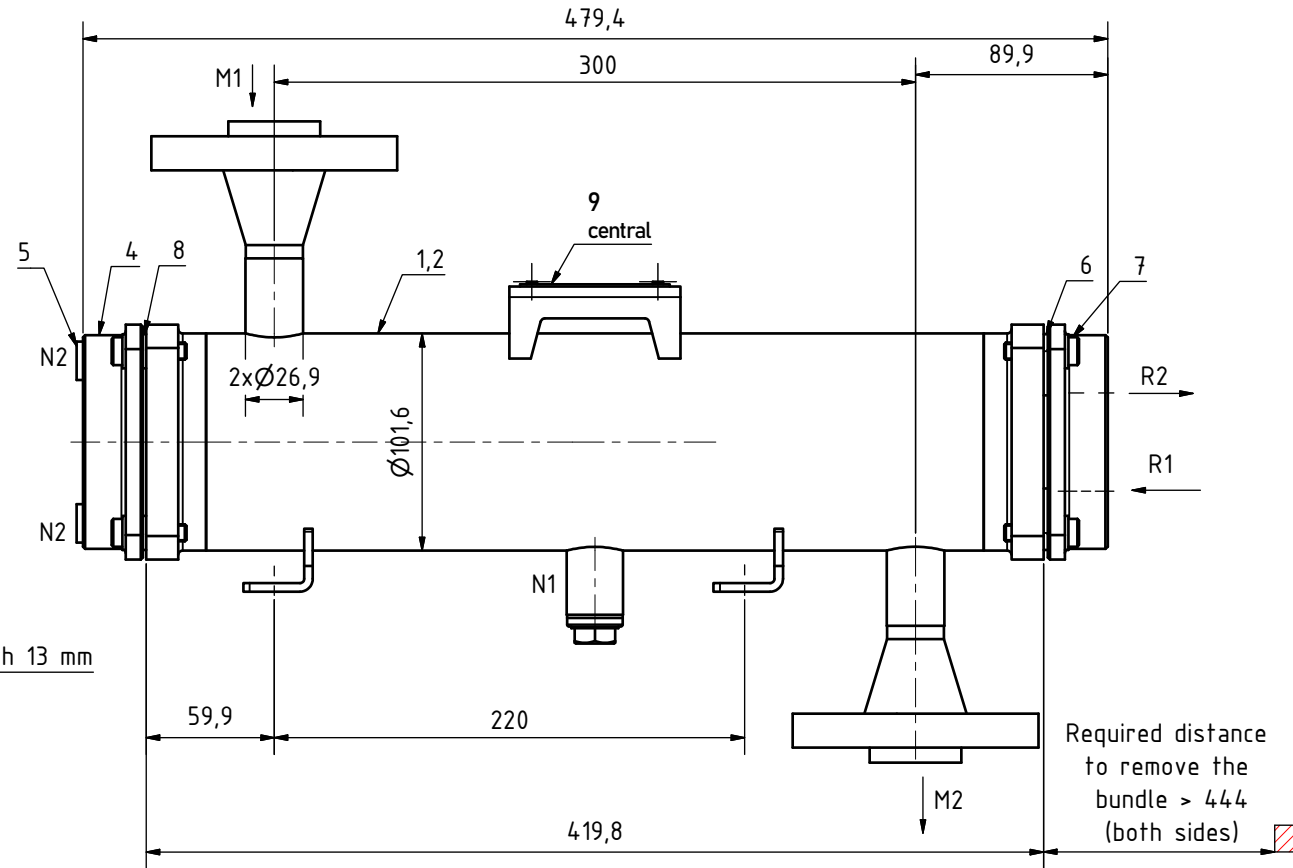
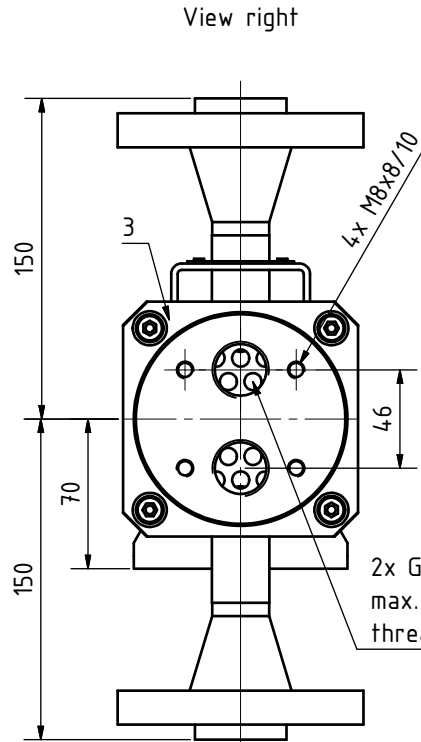
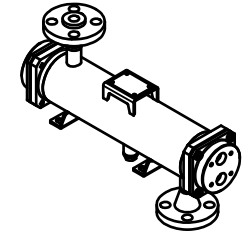
Document No. 17735-23A

Project No.	Vendor Doc.	P.O. No.	Department	Document Type	Serial No	Revision	Page
N278	VD	6019	ME	DWG	0024	01	Page 2 of 3

LIST OF REVISED PAGES

Rev. Page	01	02	03	04	05	Rev. Page	01	02	03	04	05	Rev. Page	01	02	03	04	05	Rev. Page	01	02	03	04	05	
1	X					26						51						76						
2	X					27						52						77						
3	X					28						53						78						
4						29						54						79						
5						30						55						80						
6						31						56						81						
7						32						57						82						
8						33						58						83						
9						34						59						84						
10						35						60						85						
11						36						61						86						
12						37						62						87						
13						38						63						88						
14						39						64						89						
15						40						65						90						
16						41						66						91						
17						42						67						98						
18						43						68						ATTACHMENT						
19						44						69						1						
20						45						70						2						
21						46						71						3						
22						47						72						4						
23						48						73						5						
24						49						74						6						
25						50						75						7						

	6	5	4	3	2	1	
	Shell	Bonnet/Cover	Tubesheet	Inner tube	Fin	Baffle	Retaining ring
Material	min. 1.4401 (3.1)	1.4301 AD-W2 (3.1)	1.4404 AD-W2 (3.1)	1.4404 AD-W2 (3.1)	Aluminium	Aluminium	Stainless steel
Treatment /Paint	pickled and passivated	-	-	-	-	-	-



	Shellside	Tubeside
Design pressure, PS [bar]	-1/39	-1/10
Test pressure, PT [bar]	64,35	14,3
Design temperature, TS [°C]	-10/175	-10/100
Volume [dm ³]	1,7	0,8
Connection (1=IN/2=OUT)	M1/M2=ASME B16.5-3/4"-600RF	R1/R2=G3/4"
Vent/Drain	N1=1xG1/2"	N2=2xG1/4"

Type		Number	
Intercooler		320-KE-020-001	
Aftercooler		320-KE-020-002	
Scale:	1:2.5	WEIGHT:	15 kg
Material:	- (3.1)		Format: A3
SURFACE QUALITY DIN ISO 1302		GENERAL TOLERANCE ISO 2768-v ISO 13920-CF	Heat exchanger K10-FEV-422 L400
Datum	Name		
DRAW	27.11.2023 Zhukovets		
CHECK	27.11.2023 Holz		
CLEAR	27.11.2023 Garbe		
901050002		K10-3186	
A	PS=39 bar, TS=175°	12.12.23	YZ
SYN	REV.RECORD	DATE	Name
Autodesk Inventor 2015		File: K10-3186.idw	
		1 Bl.	