



LIDCO, Pars SEE Zone, Assaluyeh,
Integrated Methanol and Ammonia
Plant 3000 MTPD MeOH / 900 MTPD NH3 PROJECT



Control and shut down Logic Block Diagram

Document No. 17735-32

| Project No. | Vendor Doc. | P.O. No. | Department | Document Type | Serial No | Revision | Page |
|-------------|-------------|----------|------------|---------------|-----------|----------|--------------|
| N278 | VD | 6019 | EL | DIA | 0049 | 02 | Page 1 of 19 |

**Airpack B.V. - Air Compressor –
Integrated Methanol and Ammonia Plant
17735-COM Control and shut down Logic Block Diagram (K020)**

N-Comment: This document will be reviewed again after finalizing control philosophy interlock description document.
A-Reply: 'Please put the comment in the correct document. For interlock information please refer to Control Philosophy and Cause & Effect chart.
N- Reply: please be informed reference document for this document is "Cause and effect chart" and "Control philosophy and Interlock Description". Compatibility with reference document and other vendor documents is vendor responsibility and scope and next comments are just for hint.
Please issue next revision after finalizing "Control philosophy and Interlock Description" document.

Reference document should be mentioned.
- PID Document
- Cause and effect chart
- Control philosophy and Interlock Description
- IO List

code-2
M. Vakili

| REV. | DATE | DESCRIPTION | DRAWN | CHECKED | APPROVED |
|------|------------|---------------------|-------|---------|----------|
| 02 | 09-04-2024 | Issued for Approval | A.Z. | S.K. | J.J. |
| 01 | 08-03-2024 | Issued for Approval | A.Z. | S.K. | J.J. |

Control and shut down Logic Block Diagram

Document No. 17735-32

| Project No. | Vendor Doc. | P.O. No. | Department | Document Type | Serial No | Revision | Page |
|-------------|-------------|----------|------------|---------------|-----------|----------|--------------|
| N278 | VD | 6019 | EL | DIA | 0049 | 02 | Page 2 of 19 |

LIST OF REVISED PAGES

| Rev. Page | 01 | 02 | 03 | 04 | 05 | Rev. Page | 01 | 02 | 03 | 04 | 05 | Rev. Page | 01 | 02 | 03 | 04 | 05 | Rev. Page | 01 | 02 | 03 | 04 | 05 |
|-----------|----|----|----|----|----|-----------|----|----|----|----|----|-----------|----|----|----|----|----|------------|----|----|----|----|----|
| 1 | X | X | | | | 26 | | | | | | 51 | | | | | | 76 | | | | | |
| 2 | X | X | | | | 27 | | | | | | 52 | | | | | | 77 | | | | | |
| 3 | X | X | | | | 28 | | | | | | 53 | | | | | | 78 | | | | | |
| 4 | X | X | | | | 29 | | | | | | 54 | | | | | | 79 | | | | | |
| 5 | X | X | | | | 30 | | | | | | 55 | | | | | | 80 | | | | | |
| 6 | X | X | | | | 31 | | | | | | 56 | | | | | | 81 | | | | | |
| 7 | X | X | | | | 32 | | | | | | 57 | | | | | | 82 | | | | | |
| 8 | X | X | | | | 33 | | | | | | 58 | | | | | | 83 | | | | | |
| 9 | X | X | | | | 34 | | | | | | 59 | | | | | | 84 | | | | | |
| 10 | X | X | | | | 35 | | | | | | 60 | | | | | | 85 | | | | | |
| 11 | X | X | | | | 36 | | | | | | 61 | | | | | | 86 | | | | | |
| 12 | X | X | | | | 37 | | | | | | 62 | | | | | | 87 | | | | | |
| 13 | X | X | | | | 38 | | | | | | 63 | | | | | | 88 | | | | | |
| 14 | X | X | | | | 39 | | | | | | 64 | | | | | | 89 | | | | | |
| 15 | X | X | | | | 40 | | | | | | 65 | | | | | | 90 | | | | | |
| 16 | X | X | | | | 41 | | | | | | 66 | | | | | | 91 | | | | | |
| 17 | X | X | | | | 42 | | | | | | 67 | | | | | | 92 | | | | | |
| 18 | X | X | | | | 43 | | | | | | 68 | | | | | | ATTACHMENT | | | | | |
| 19 | X | X | | | | 44 | | | | | | 69 | | | | | | 1 | | | | | |
| 20 | X | | | | | 45 | | | | | | 70 | | | | | | 2 | | | | | |
| 21 | | | | | | 46 | | | | | | 71 | | | | | | 3 | | | | | |
| 22 | | | | | | 47 | | | | | | 72 | | | | | | 4 | | | | | |
| 23 | | | | | | 48 | | | | | | 73 | | | | | | 5 | | | | | |
| 24 | | | | | | 49 | | | | | | 74 | | | | | | 6 | | | | | |
| 25 | | | | | | 50 | | | | | | 75 | | | | | | 7 | | | | | |

| SYMBOL | FUNCTION | DESCRIPTION |
|--------|--------------------------------------|---|
| | AND | OUTPUT D EXISTS ONLY IF AND WHILE INPUTS A,B AND C EXIST. |
| | OR | OUTPUT D EXISTS ONLY IF AND WHILE ONE OR MORE OF INPUTS A,B OR C EXIST. |
| | XOR | OUTPUT D EXISTS ONLY IF AND WHILE ONE OF INPUTS A,B OR C EXIST. |
| | NOT | OUTPUT B EXISTS ONLY IF AND WHILE INPUT A DOES NOT EXIST. |
| | COMPARE | COMPARE FUNCTION THAT COMPARES THE VALUES IN X AND Y, AND IF THE COMPARISON INDICATED BY "TYPE" IS TRUE, OUTPUT A EXISTS. VALID COMPARISONS ARE: GREATER THAN(>), LESS THAN(<), EQUAL TO(==), GREATER THAN OR EQUAL TO (>=) AND LESS THAN OR EQUAL TO (<=). |
| | MOVE | IF INPUT A EXISTS, THE VALUE X IS ASSIGNED TO THE VARIABLE AT THE OUTPUT Y. TYPE IS INCLUDED TO INDICATE THE TYPE OF VARIABLE. B TERMINATES IMMEDIATELY WHEN A TERMINATES. |
| | TIMER (DELAY INITIATION) | THE CONTINUOUS EXISTENCE OF INPUT A FOR TIME T CAUSES OUTPUT B TO EXIST WHEN THE TIME T EXPIRES. B TERMINATES IMMEDIATELY WHEN A TERMINATES. |
| | TIMER (DELAY TERMINATION) | THE EXISTENCE OF INPUT A CAUSES OUTPUT B TO EXIST IMMEDIATELY. B TERMINATES WHEN A HAS TERMINATED AND HAS NOT AGAIN EXISTED FOR TIME T. |
| | PULSE OUTPUT | THE EXISTENCE OF INPUT A CAUSES OUTPUT B TO EXIST IMMEDIATELY. B EXISTS FOR TIME T, REGARDLESS OF THE STATE OF A. |
| | FLIP-FLOP MEMORY (SET PRIORITY) | OUTPUT C EXISTS AS SOON AS A EXISTS. C CONTINUES TO EXIST, REGARDLESS OF THE SUBSEQUENT STATE OF A, UNTIL THE MEMORY IS RESET (I.E; TERMINATED BY B EXISTING) C REMAINS TERMINATED, REGARDLESS OF THE SUBSEQUENT STATE OF B, UNTIL A CAUSES THE MEMORY TO BE SET. IF A AND B EXIST SIMULTANEOUSLY, A OVERRIDES B. |
| | FLIP-FLOP MEMORY (RESET PRIORITY) | OUTPUT C EXISTS AS SOON AS A EXISTS. C CONTINUES TO EXIST, REGARDLESS OF THE SUBSEQUENT STATE OF A, UNTIL THE MEMORY IS RESET (I.E; TERMINATED BY B EXISTING) C REMAINS TERMINATED, REGARDLESS OF THE SUBSEQUENT STATE OF B, UNTIL A CAUSES THE MEMORY TO BE SET. IF A AND B EXIST SIMULTANEOUSLY, B OVERRIDES A. |
| | RISING TRIGGER | THE EXISTENCE OF INPUT A CAUSES OUTPUT B TO EXIST IMMEDIATELY, AND FALL AWAY ON THE NEXT INSTRUCTION CYCLE. |
| | | LOGIC CONNECTION, BRANCH |
| | | NO CONNECTION, JUMP |
| | | MODBUS CONNECTION |

| SYMBOL | DESCRIPTION |
|--------|---|
| | EMERGENCY PUSHBUTTON, RED HEAD, STAY PUT. |
| | TWO WAY SWITCH |
| | THREE WAY SWITCH |
| | PUSHBUTTON MOMENTARILY MAKE |
| | PUSHBUTTON MOMENTARILY BREAK |
| | CONTACT NORMALLY OPEN |
| | CONTACT NORMALLY CLOSED |
| | HARDWIRED INPUT/OUTPUT |
| | SOLENOID VALVE, 3-WAY |
| | DCS CONTROL SYSTEM |
| | PLC CONTROL SYSTEM |
| | LAMP |
| | HMI |
| | AUDIBLE ALARM |
| | RELAY COIL |

GENERAL NOTES

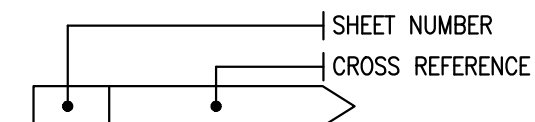
- THIS LOGIC DIAGRAM PROVIDES THE DETAILED OPERATION OF COMPRESSOR K020.
- SHUTDOWN CONDITION ;
0 = SHUTDOWN 1 = OPERATING
- ALARM/TRIP CONDITION ;
0 = ALARM 1=NORMAL
0 = TRIP 1=NORMAL

ABBREVIATIONS

DCS : DISTRIBUTED CONTROL SYSTEM
MCC : MOTOR CONTROL CENTER
LPS : LOCAL PANEL STATION
I/P : HARDWIRED INPUT
O/P : HARDWIRED OUTPUT

DEFINITION

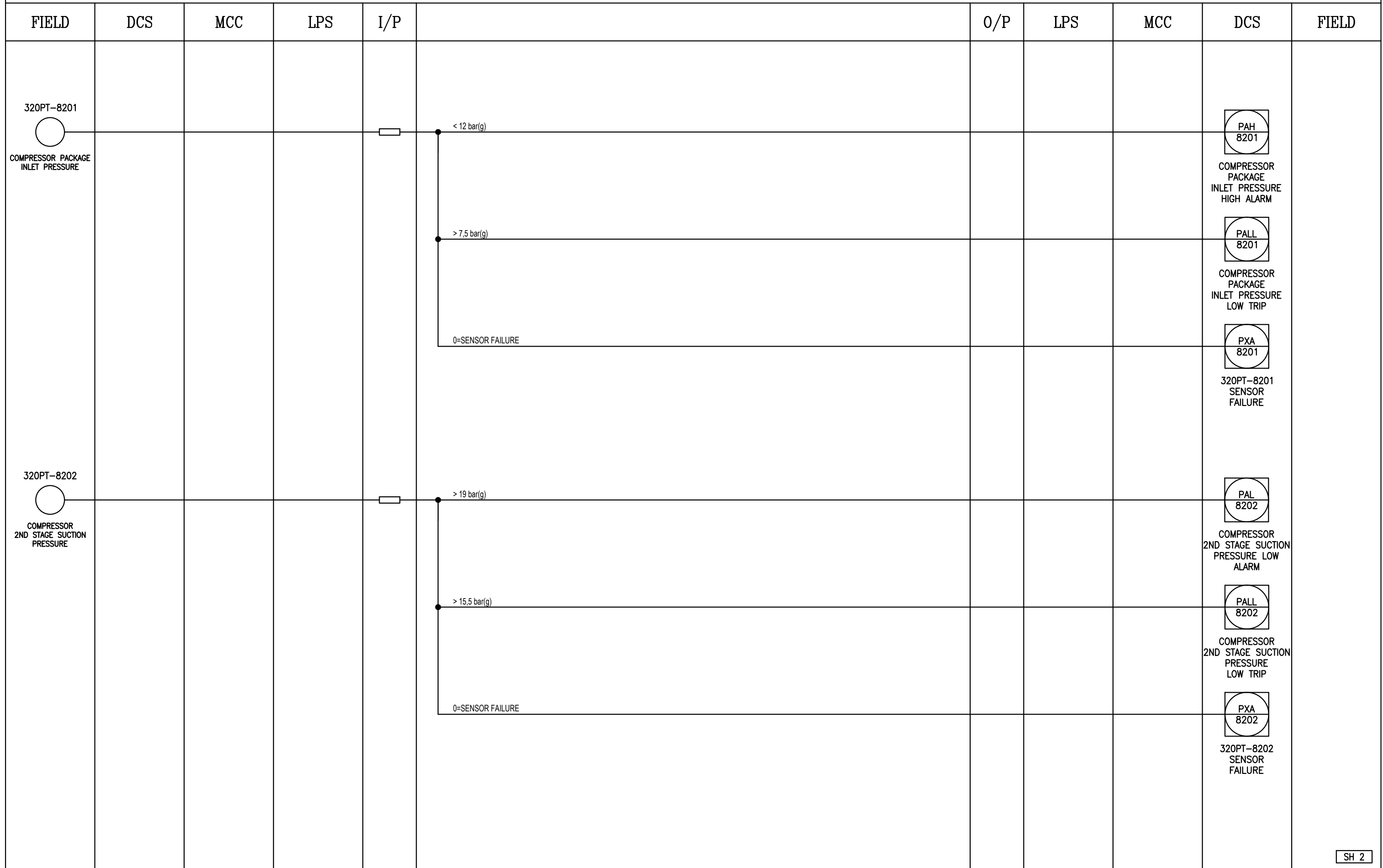
- AVAILABLE: COMPRESSOR READY TO START.
- RUNNING: PACKAGE RUNNING.
- LOGIC CONTINUATION FROM/TO OTHER SHEET



SH 1

| | | | | | | | | | |
|-------------|------------|------------------------------------|-----------------------------------|----------------|---------------|--|----|------------|----|
| | SUBJECT | | LOGIC DIAGRAM | DATE | 08-03-2024 | THIS DRAWING IS OWNED BY AIRPACK AND SHALL NOT BE PRINTED OR COPIED IN ANY OTHER WAY THAN WITH AIRPACKS PERMISSION | | | |
| | | | HIGH PRESSURE AIR COMPRESSOR K020 | DRAWN BY | AZ | | | | |
| | CLIENT | Lavan Industry Development Company | | CHECKED BY | SK | | | | |
| | CLIENT REF | N-278-VD-6019-EL-DIA-01 | | PLANT LOCATION | IRAN, ONSHORE | | | | |
| AIRPACK REF | 17735-COM | | DRAWING NO. | 17735-32 | | | | | |
| | | | SHEET NO. | 01 / 17 | | | | | |
| | | | | | | | 02 | 09-04-2024 | AZ |
| | | | | | | | 01 | 08-03-2024 | AZ |

LOGIC DIAGRAM



SH 2

NOTES:

-

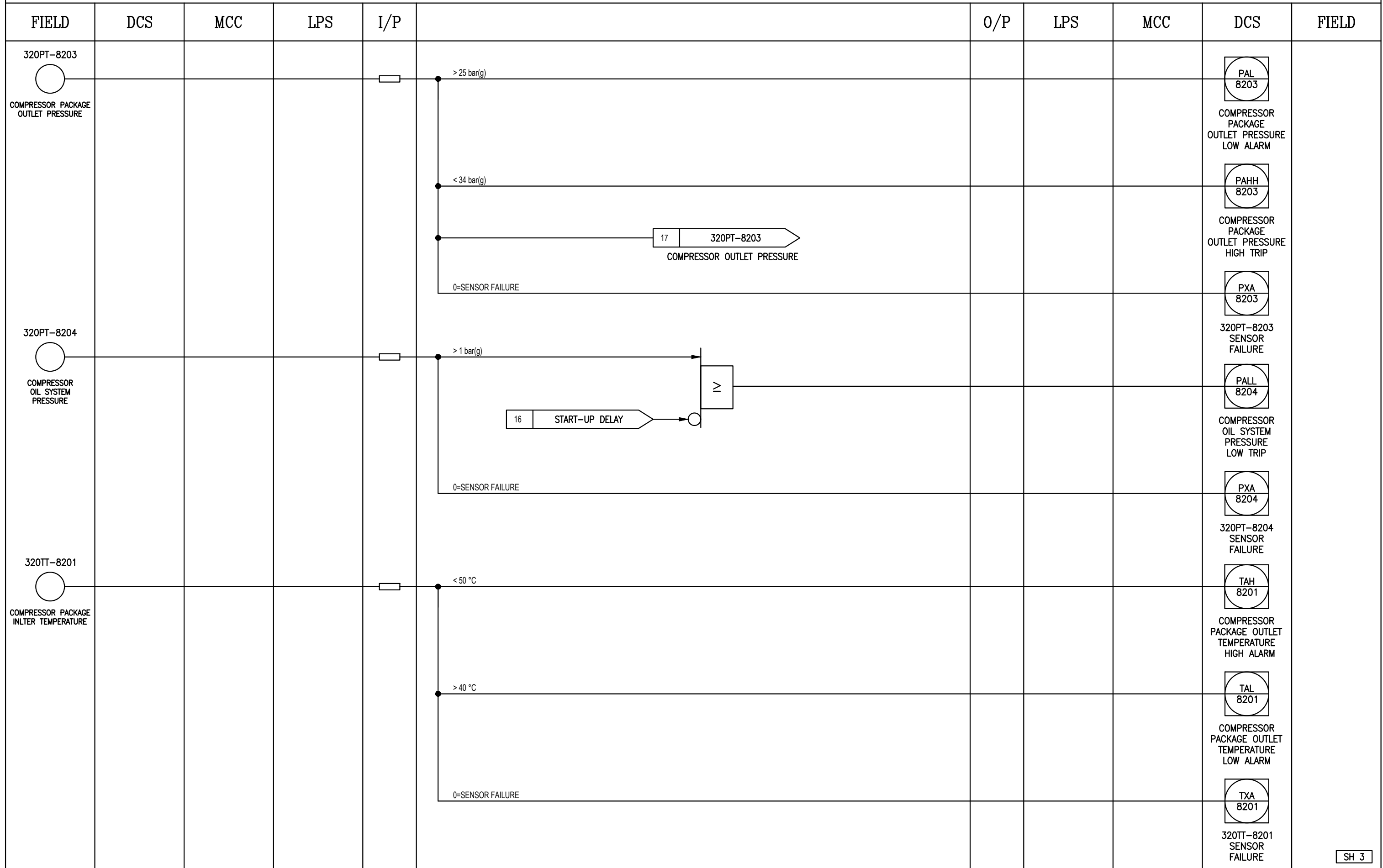


| | | | | | |
|-------------|------------------------------------|-----------------------------------|--|----------------|---------------|
| SUBJECT | | LOGIC DIAGRAM | | DATE | 08-03-2024 |
| | | HIGH PRESSURE AIR COMPRESSOR K020 | | DRAWN BY | AZ |
| | | | | CHECKED BY | SK |
| CLIENT | Lavan Industry Development Company | | | PLANT LOCATION | IRAN, ONSHORE |
| CLIENT REF | N-278-VD-6019-EL-DIA-01 | | | DRAWING NO. | 17735-32 |
| AIRPACK REF | 17735-COM | | | SHEET NO. | 02 / 17 |

THIS DRAWING IS OWNED BY AIRPACK AND SHALL NOT BE PRINTED OR COPIED IN ANY OTHER WAY THAN WITH AIRPACKS PERMISSION

| | | |
|----|------------|----|
| 02 | 09-04-2024 | AZ |
| 01 | 08-03-2024 | AZ |

LOGIC DIAGRAM



SH 3

NOTES:

1. -

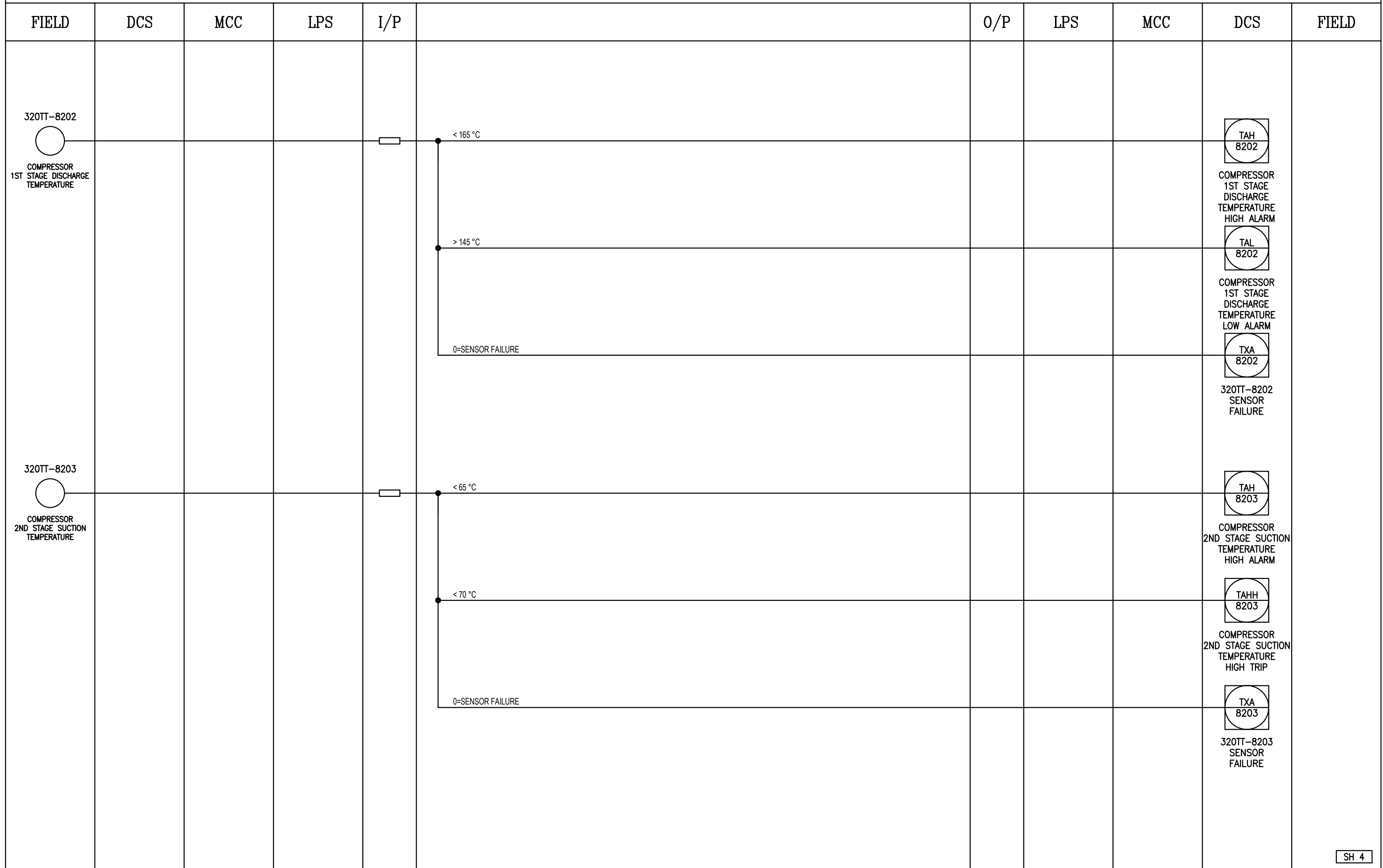


| | | | | | |
|-------------|--|---|--|----------------|---------------|
| SUBJECT | | LOGIC DIAGRAM HIGH PRESSURE AIR COMPRESSOR K020 | | DATE | 08-03-2024 |
| CLIENT | | Lavan Industry Development Company | | DRAWN BY | AZ |
| CLIENT REF | | N-278-VD-6019-EL-DIA-01 | | CHECKED BY | SK |
| AIRPACK REF | | 17735-COM | | PLANT LOCATION | IRAN, ONSHORE |
| | | | | DRAWING NO. | 17735-32 |
| | | | | SHEET NO. | 03 / 17 |

THIS DRAWING IS OWNED BY AIRPACK AND SHALL NOT BE PRINTED OR COPIED IN ANY OTHER WAY THAN WITH AIRPACKS PERMISSION

| | | |
|----|------------|----|
| 02 | 09-04-2024 | AZ |
| 01 | 08-03-2024 | AZ |

LOGIC DIAGRAM



SH 4

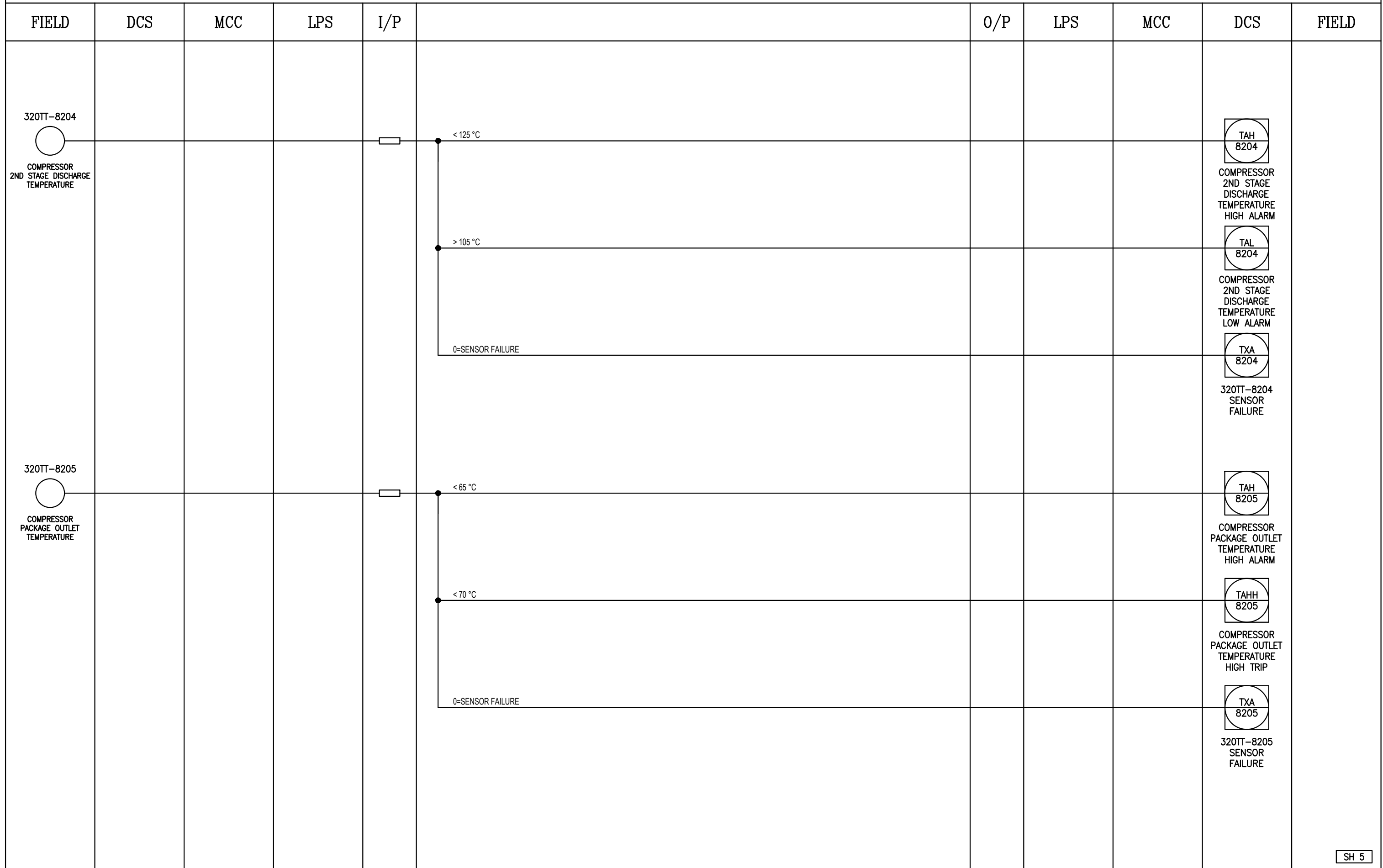
NOTES:

1. -



| | | | | | | | | | |
|-------------|--|---|--|----------------|---------------|--|----|------------|----|
| SUBJECT | | LOGIC DIAGRAM HIGH PRESSURE AIR COMPRESSOR K020 | | DATE | 08-03-2024 | THIS DRAWING IS OWNED BY AIRPACK AND SHALL NOT BE PRINTED OR COPIED IN ANY OTHER WAY THAN WITH AIRPACKS PERMISSION | | | |
| CLIENT | | Lavan Industry Development Company | | DRAWN BY | AZ | | | | |
| CLIENT REF | | N-278-VD-6019-EL-DIA-01 | | CHECKED BY | SK | | | | |
| AIRPACK REF | | 17735-COM | | PLANT LOCATION | IRAN, ONSHORE | | | | |
| | | | | DRAWING NO. | 17735-32 | | 02 | 09-04-2024 | AZ |
| | | | | SHEET NO. | 04 / 17 | | 01 | 08-03-2024 | AZ |

LOGIC DIAGRAM



SH 5

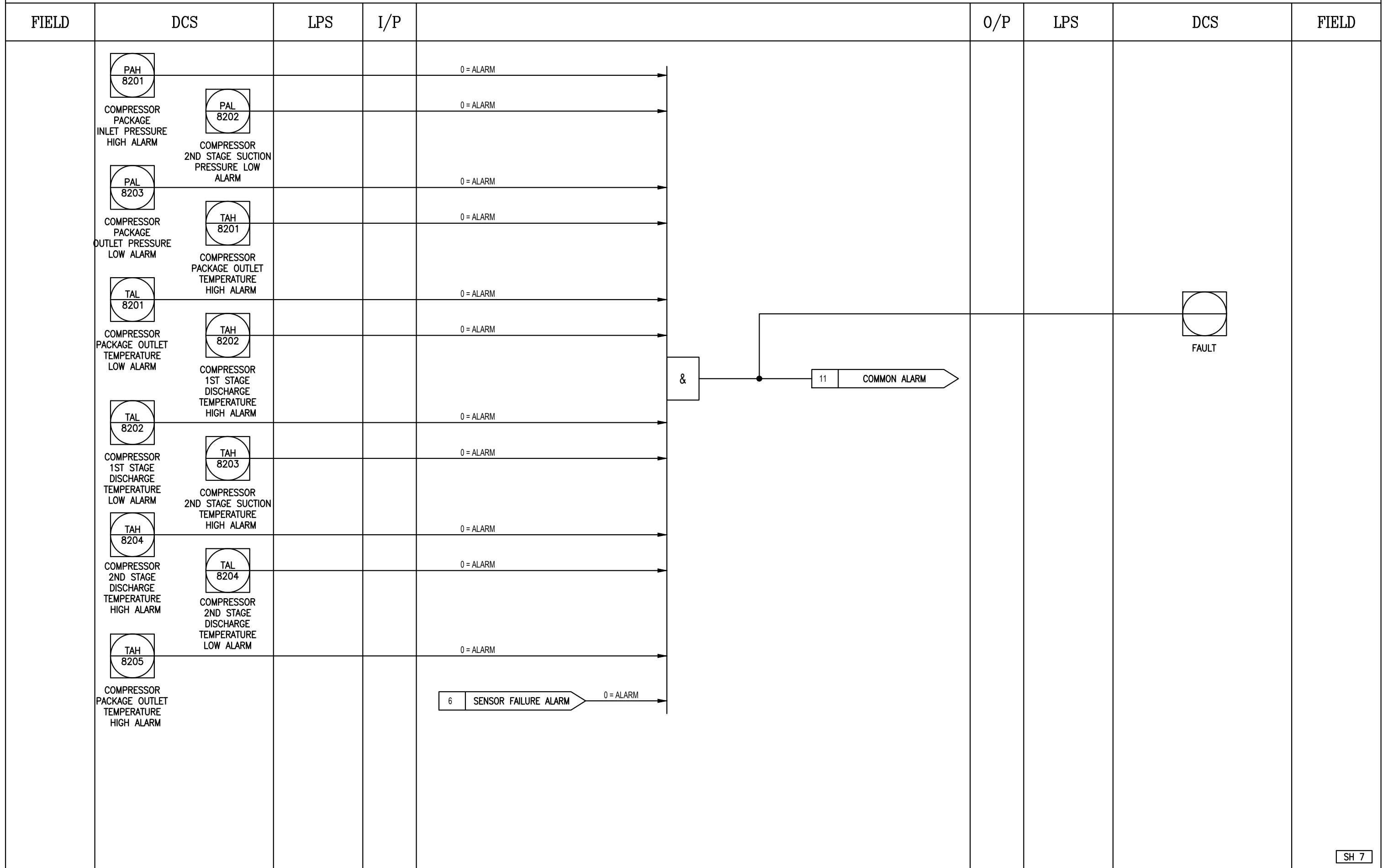
NOTES:

1. -



| | | | | | | | | | |
|-------------|------------------------------------|-----------------------------------|--|----------------|---------------|--|----|------------|----|
| SUBJECT | | LOGIC DIAGRAM | | DATE | 08-03-2024 | THIS DRAWING IS OWNED BY AIRPACK AND SHALL NOT BE PRINTED OR COPIED IN ANY OTHER WAY THAN WITH AIRPACKS PERMISSION | | | |
| | | HIGH PRESSURE AIR COMPRESSOR K020 | | DRAWN BY | AZ | | | | |
| | | | | CHECKED BY | SK | | | | |
| CLIENT | Lavan Industry Development Company | | | PLANT LOCATION | IRAN, ONSHORE | | | | |
| CLIENT REF | N-278-VD-6019-EL-DIA-01 | | | DRAWING NO. | 17735-32 | | 02 | 09-04-2024 | AZ |
| AIRPACK REF | 17735-COM | | | SHEET NO. | 05 / 17 | | 01 | 08-03-2024 | AZ |

LOGIC DIAGRAM



SH 7

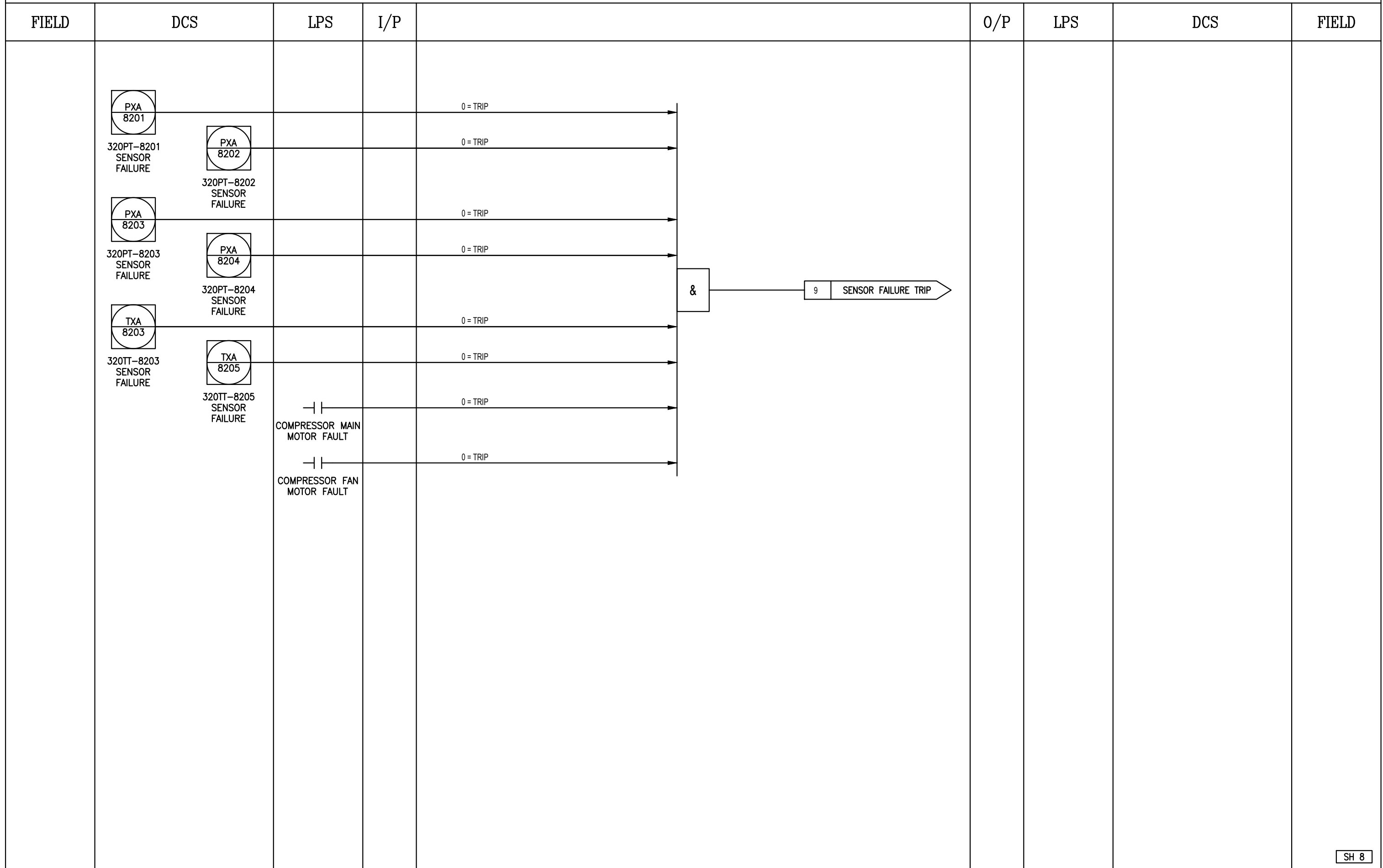
NOTES:

1. -



| | | | | | | | | | |
|-------------|------------------------------------|---|--|----------------|---------------|--|------------|------------|----|
| SUBJECT | | LOGIC DIAGRAM HIGH PRESSURE AIR COMPRESSOR K020 | | DATE | 08-03-2024 | THIS DRAWING IS OWNED BY AIRPACK AND SHALL NOT BE PRINTED OR COPIED IN ANY OTHER WAY THAN WITH AIRPACKS PERMISSION | | | |
| DRAWN BY | | AZ | | CHECKED BY | SK | | | | |
| CLIENT | Lavan Industry Development Company | | | PLANT LOCATION | IRAN, ONSHORE | | | | |
| CLIENT REF | N-278-VD-6019-EL-DIA-01 | | | DRAWING NO. | 17735-32 | | 02 | 09-04-2024 | AZ |
| AIRPACK REF | 17735-COM | | | SHEET NO. | 07 / 17 | 01 | 08-03-2024 | AZ | |

LOGIC DIAGRAM



SH 8

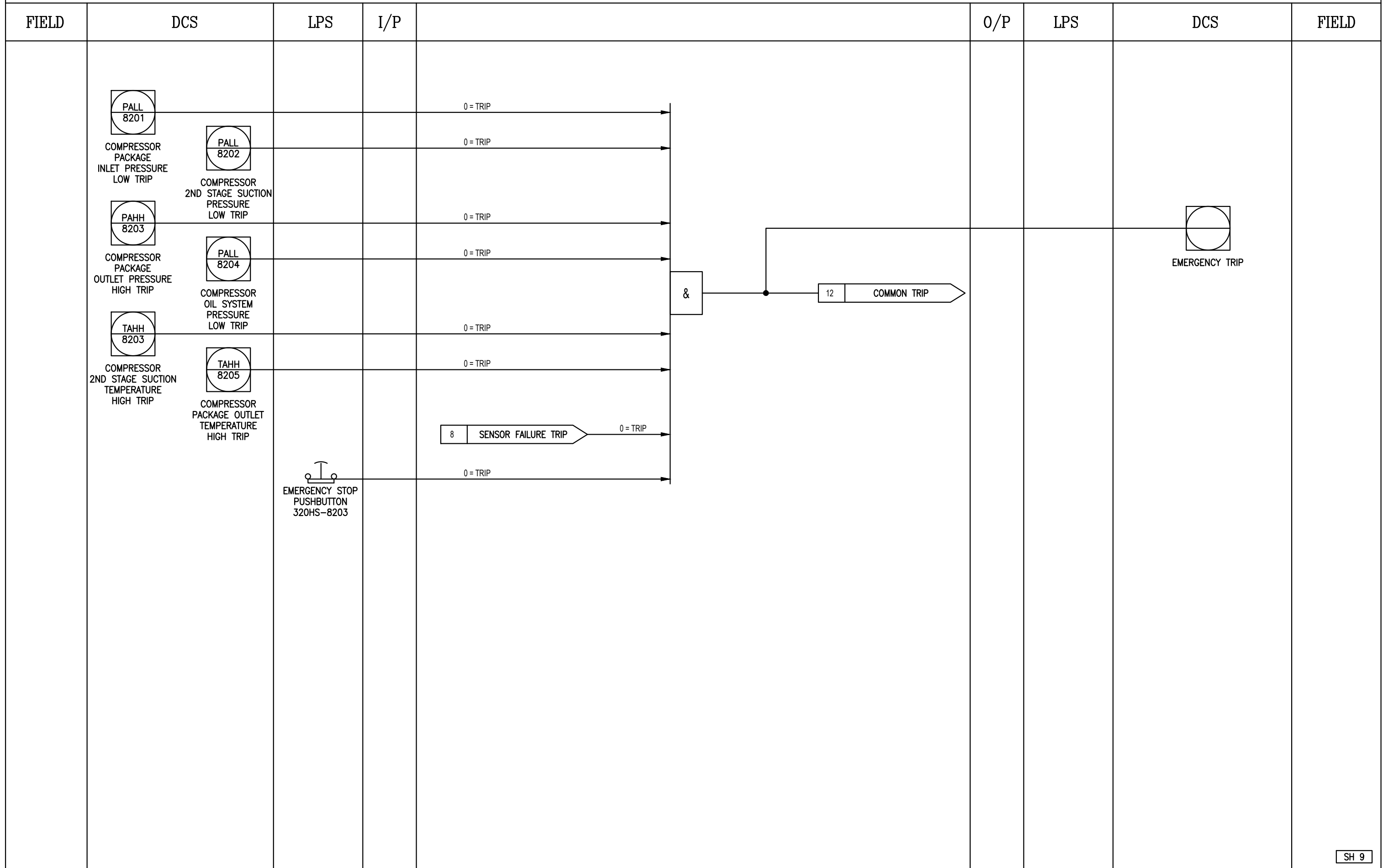
NOTES:

-



| | | | | | | | | | |
|-------------|------------------------------------|---|--|----------------|---------------|--|------------|------------|----|
| SUBJECT | | LOGIC DIAGRAM HIGH PRESSURE AIR COMPRESSOR K020 | | DATE | 08-03-2024 | THIS DRAWING IS OWNED BY AIRPACK AND SHALL NOT BE PRINTED OR COPIED IN ANY OTHER WAY THAN WITH AIRPACKS PERMISSION | | | |
| DRAWN BY | | AZ | | CHECKED BY | SK | | | | |
| CLIENT | Lavan Industry Development Company | | | PLANT LOCATION | IRAN, ONSHORE | | | | |
| CLIENT REF | N-278-VD-6019-EL-DIA-01 | | | DRAWING NO. | 17735-32 | | 02 | 09-04-2024 | AZ |
| AIRPACK REF | 17735-COM | | | SHEET NO. | 08 / 17 | 01 | 08-03-2024 | AZ | |

LOGIC DIAGRAM



SH 9

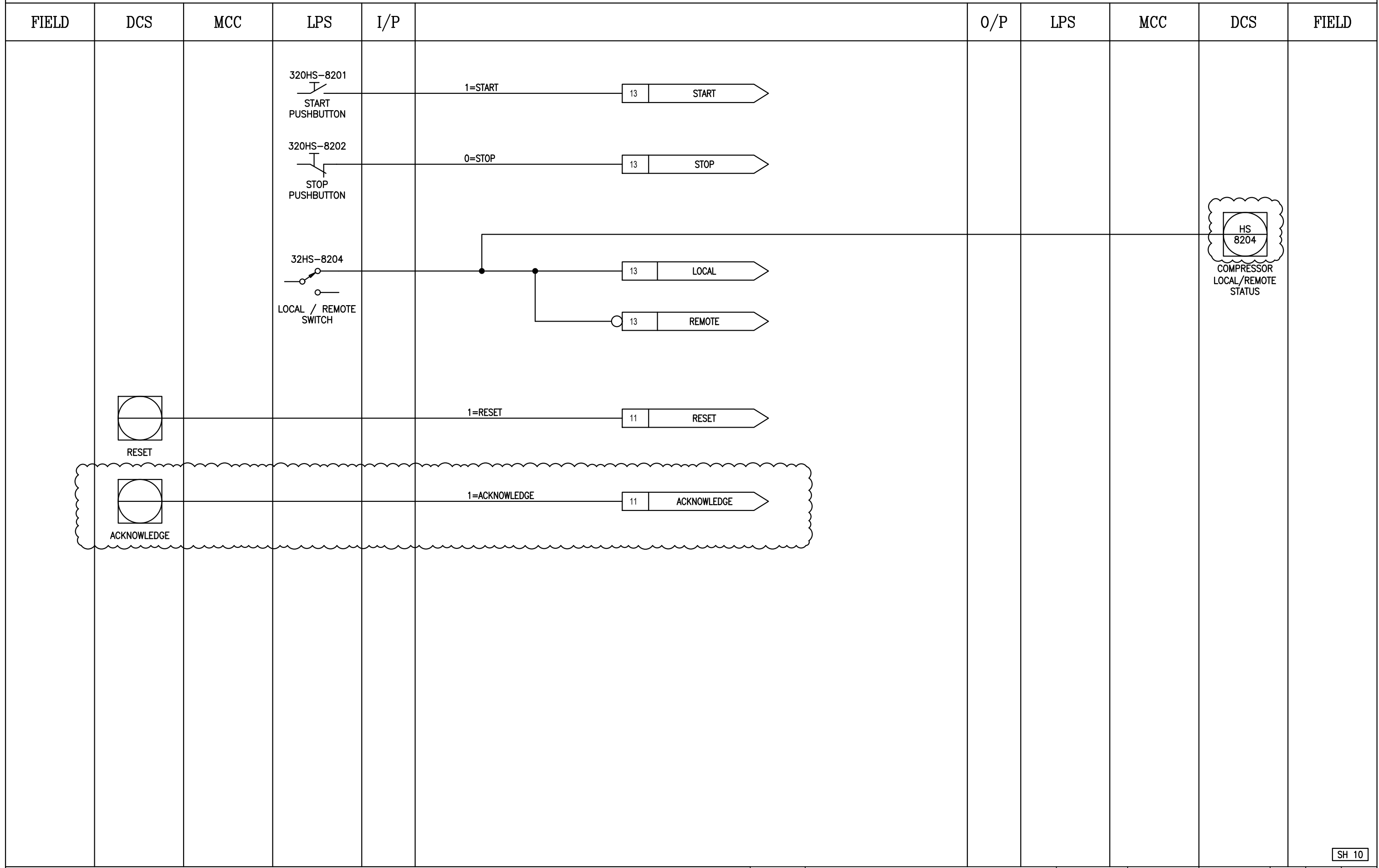
NOTES:

1. -



| | | | | | | | | | |
|-------------|--|------------------------------------|--|----------------|---------------|--|----|------------|----|
| SUBJECT | | LOGIC DIAGRAM | | DATE | 08-03-2024 | THIS DRAWING IS OWNED BY AIRPACK AND SHALL NOT BE PRINTED OR COPIED IN ANY OTHER WAY THAN WITH AIRPACKS PERMISSION | | | |
| | | HIGH PRESSURE AIR COMPRESSOR K020 | | DRAWN BY | AZ | | | | |
| CLIENT | | Lavan Industry Development Company | | CHECKED BY | SK | | | | |
| CLIENT REF | | N-278-VD-6019-EL-DIA-01 | | PLANT LOCATION | IRAN, ONSHORE | | | | |
| AIRPACK REF | | 17735-COM | | DRAWING NO. | 17735-32 | | 02 | 09-04-2024 | AZ |
| | | | | SHEET NO. | 09 / 17 | | 01 | 08-03-2024 | AZ |

LOGIC DIAGRAM



SH 10

NOTES:

-



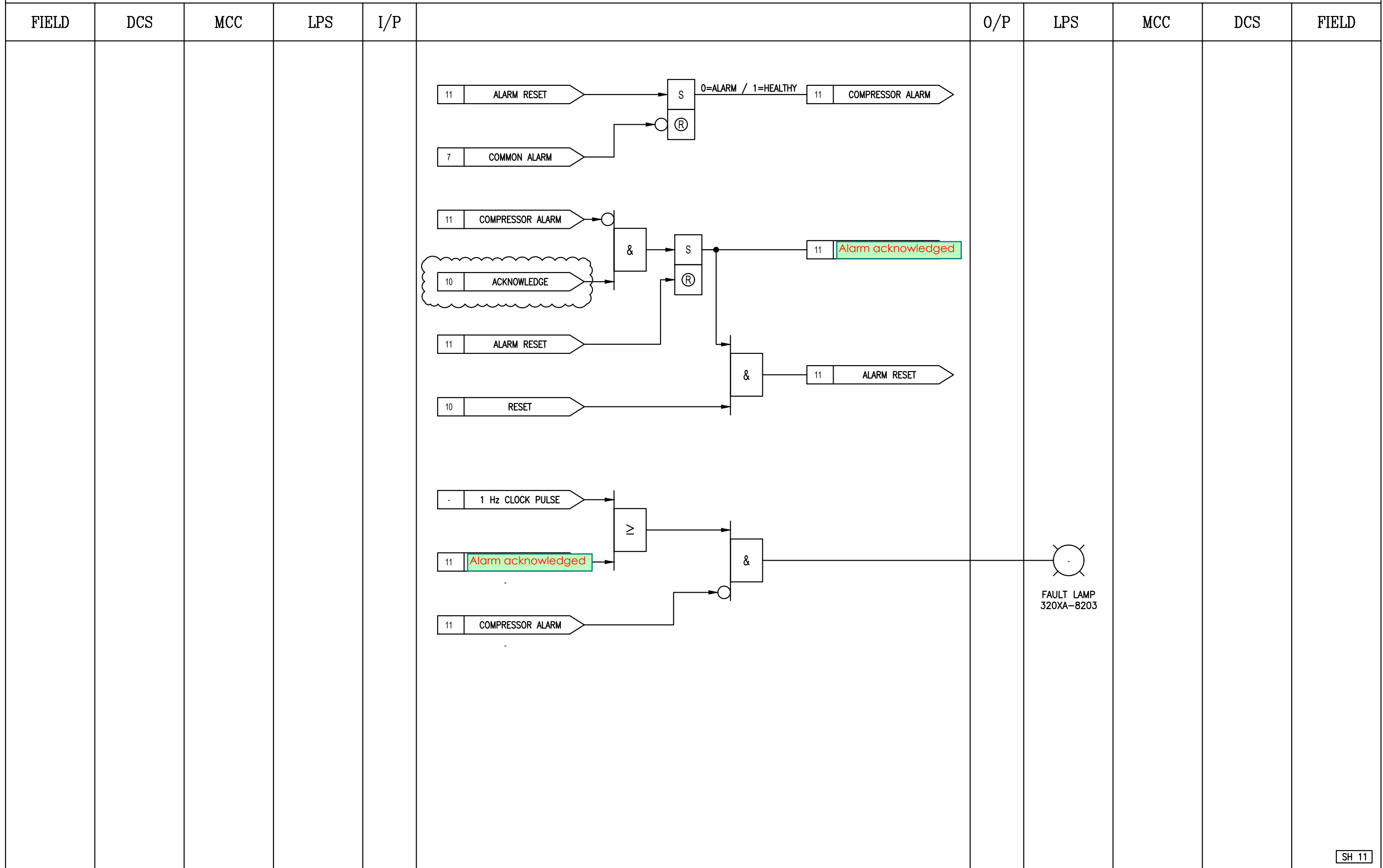
| | | | |
|-------------|------------------------------------|---|---------------|
| SUBJECT | | LOGIC DIAGRAM HIGH PRESSURE AIR COMPRESSOR K020 | |
| CLIENT | Lavan Industry Development Company | PLANT LOCATION | IRAN, ONSHORE |
| CLIENT REF | N-278-VD-6019-EL-DIA-01 | DRAWING NO. | 17735-32 |
| AIRPACK REF | 17735-COM | SHEET NO. | 10 / 17 |

| | |
|------------|------------|
| DATE | 08-03-2024 |
| DRAWN BY | AZ |
| CHECKED BY | SK |

THIS DRAWING IS OWNED BY AIRPACK AND SHALL NOT BE PRINTED OR COPIED IN ANY OTHER WAY THAN WITH AIRPACKS PERMISSION

| | | |
|----|------------|----|
| 02 | 09-04-2024 | AZ |
| 01 | 08-03-2024 | AZ |

LOGIC DIAGRAM



SH 11

NOTES:

-

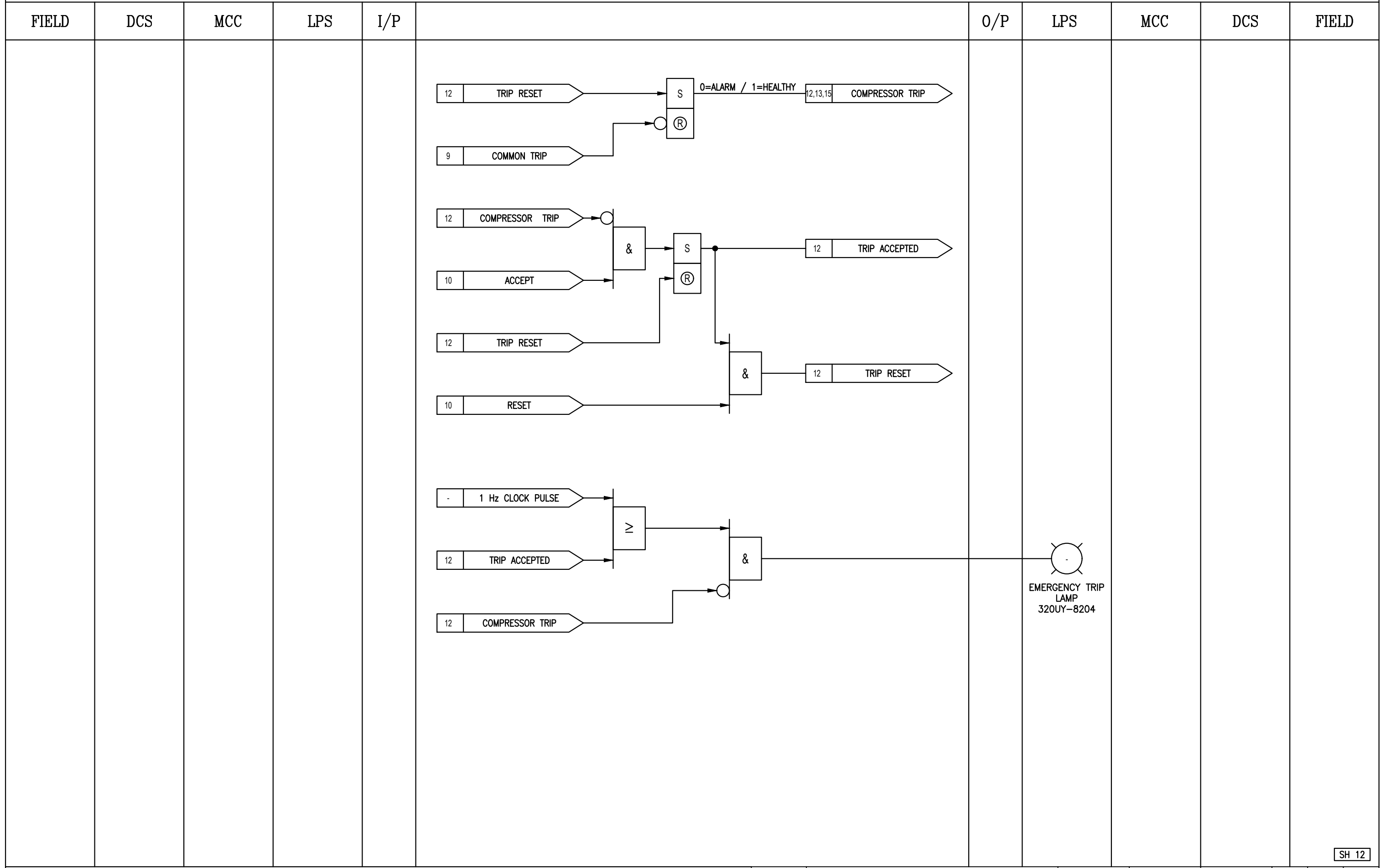


| | | | | | |
|-------------|------------------------------------|------------------------------|--|----------------|---------------|
| SUBJECT | | LOGIC DIAGRAM | | DATE | 08-03-2024 |
| | | HIGH PRESSURE AIR COMPRESSOR | | DRAWN BY | AZ |
| | | K020 | | CHECKED BY | SK |
| CLIENT | Lavan Industry Development Company | | | PLANT LOCATION | IRAN, ONSHORE |
| CLIENT REF | N-278-VD-6019-EL-DIA-01 | | | DRAWING NO. | 17735-32 |
| AIRPACK REF | 17735-COM | | | SHEET NO. | 11 / 17 |

THIS DRAWING IS OWNED BY AIRPACK AND SHALL NOT BE PRINTED OR COPIED IN ANY OTHER WAY THAN WITH AIRPACKS PERMISSION

| | | |
|----|------------|----|
| 02 | 09-04-2024 | AZ |
| 01 | 08-03-2024 | AZ |

LOGIC DIAGRAM



SH 12

NOTES:

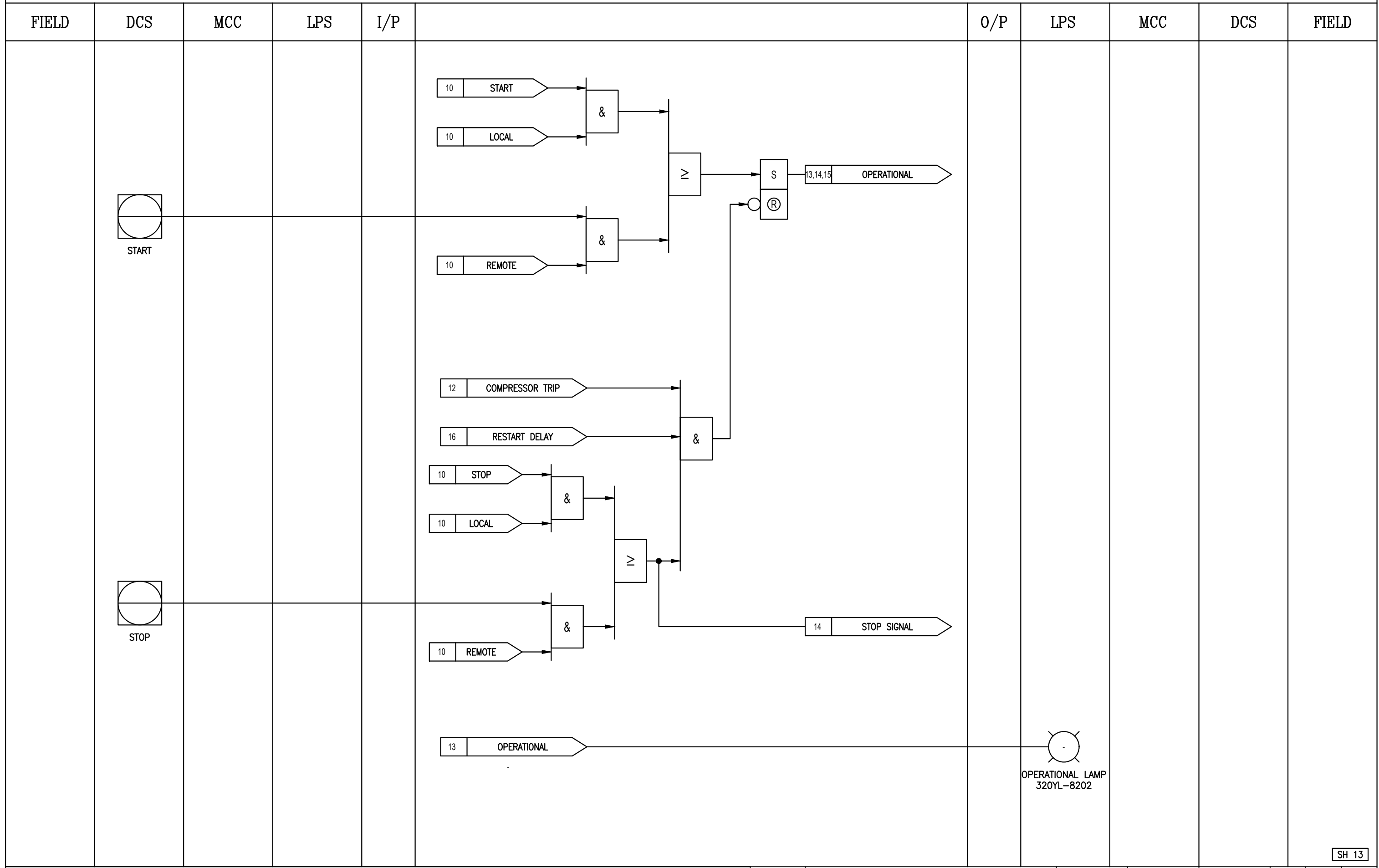
1. -



| | | | |
|-------------|------------------------------------|---|---------------|
| SUBJECT | | LOGIC DIAGRAM HIGH PRESSURE AIR COMPRESSOR K020 | |
| CLIENT | Lavan Industry Development Company | DATE | 08-03-2024 |
| CLIENT REF | N-278-VD-6019-EL-DIA-01 | DRAWN BY | AZ |
| AIRPACK REF | 17735-COM | CHECKED BY | SK |
| | | PLANT LOCATION | IRAN, ONSHORE |
| | | DRAWING NO. | 17735-32 |
| | | SHEET NO. | 12 / 17 |

| | | |
|--|------------|----|
| THIS DRAWING IS OWNED BY AIRPACK AND SHALL NOT BE PRINTED OR COPIED IN ANY OTHER WAY THAN WITH AIRPACKS PERMISSION | | |
| 02 | 09-04-2024 | AZ |
| 01 | 08-03-2024 | AZ |

LOGIC DIAGRAM



SH 13

NOTES:

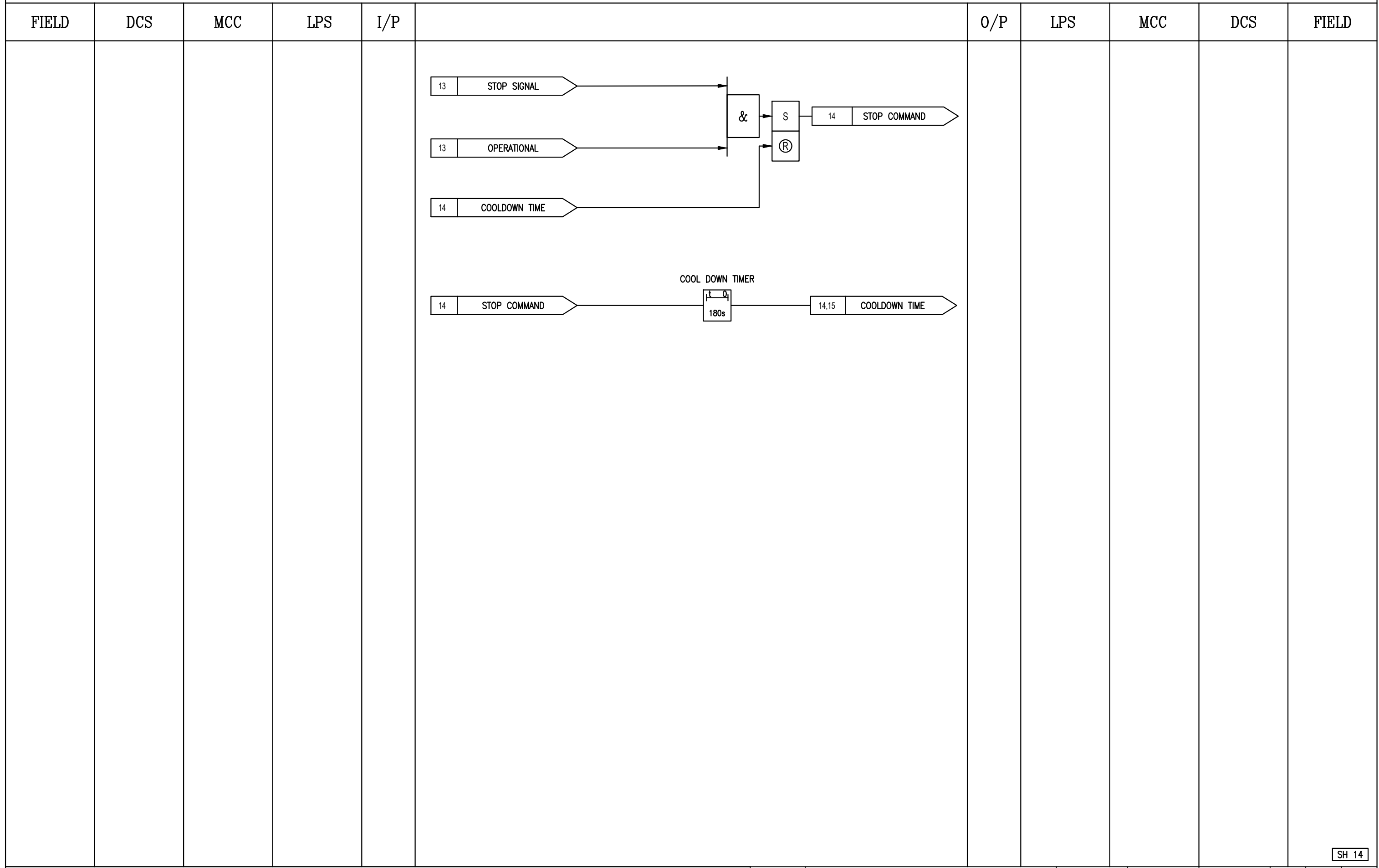
1. -



| | | | |
|-------------|------------------------------------|---|---------------|
| SUBJECT | | LOGIC DIAGRAM HIGH PRESSURE AIR COMPRESSOR K020 | |
| CLIENT | Lavan Industry Development Company | DATE | 08-03-2024 |
| CLIENT REF | N-278-VD-6019-EL-DIA-01 | DRAWN BY | AZ |
| AIRPACK REF | 17735-COM | CHECKED BY | SK |
| | | PLANT LOCATION | IRAN, ONSHORE |
| | | DRAWING NO. | 17735-32 |
| | | SHEET NO. | 13 / 17 |

| | | |
|--|------------|----|
| THIS DRAWING IS OWNED BY AIRPACK AND SHALL NOT BE PRINTED OR COPIED IN ANY OTHER WAY THAN WITH AIRPACKS PERMISSION | | |
| 02 | 09-04-2024 | AZ |
| 01 | 08-03-2024 | AZ |

LOGIC DIAGRAM



SH 14

NOTES:

1. -



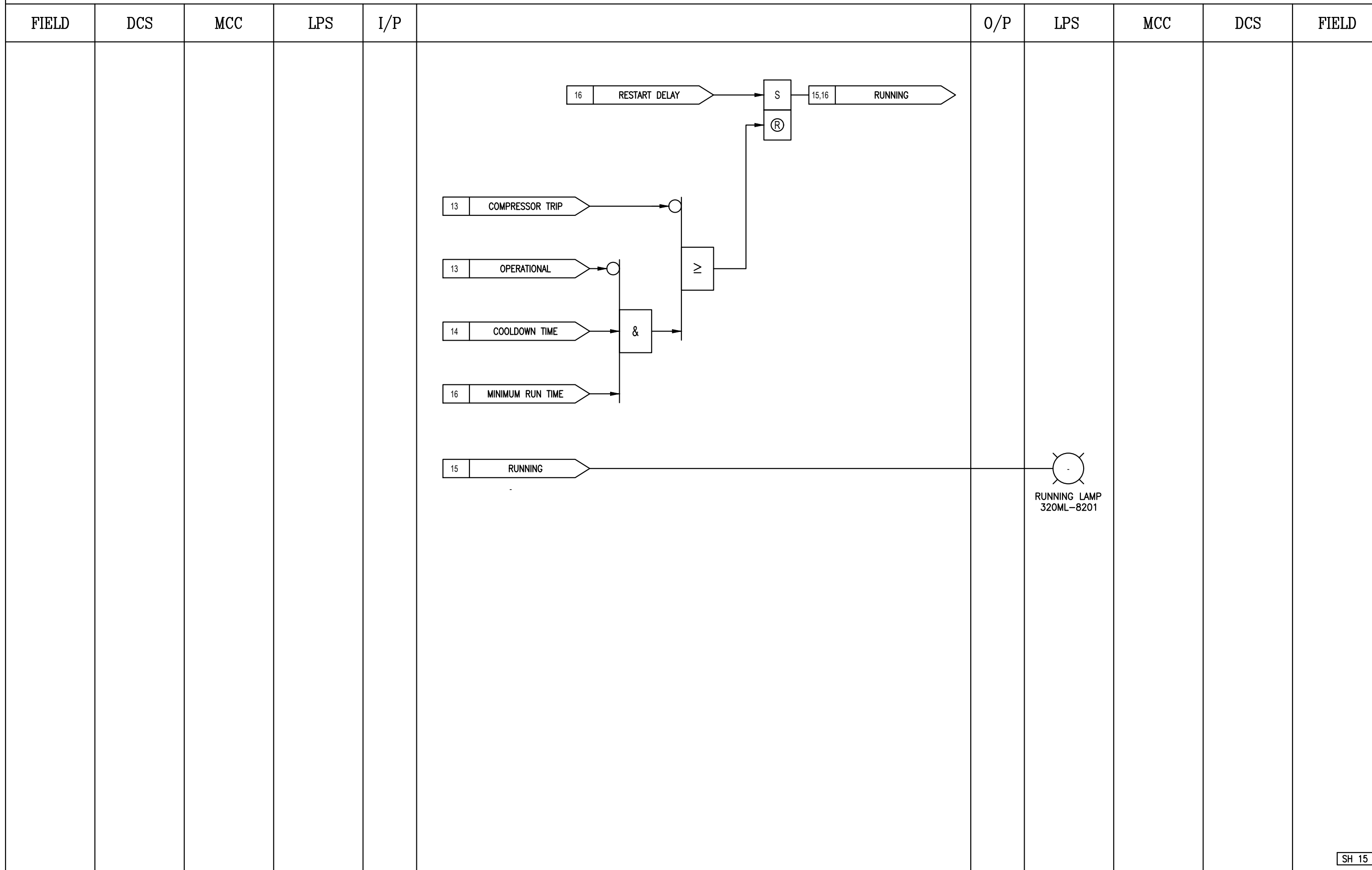
| | | | |
|-------------|------------------------------------|---|--|
| SUBJECT | | LOGIC DIAGRAM HIGH PRESSURE AIR COMPRESSOR K020 | |
| CLIENT | Lavan Industry Development Company | | |
| CLIENT REF | N-278-VD-6019-EL-DIA-01 | | |
| AIRPACK REF | 17735-COM | | |

| | | | |
|----------------|---------------|--|--|
| DATE | 08-03-2024 | | |
| DRAWN BY | AZ | | |
| CHECKED BY | SK | | |
| PLANT LOCATION | IRAN, ONSHORE | | |
| DRAWING NO. | 17735-32 | | |
| SHEET NO. | 14 / 17 | | |

THIS DRAWING IS OWNED BY AIRPACK AND SHALL NOT BE PRINTED OR COPIED IN ANY OTHER WAY THAN WITH AIRPACKS PERMISSION

| | | |
|----|------------|----|
| | | |
| 02 | 09-04-2024 | AZ |
| 01 | 08-03-2024 | AZ |

LOGIC DIAGRAM



SH 15

NOTES:

1. -



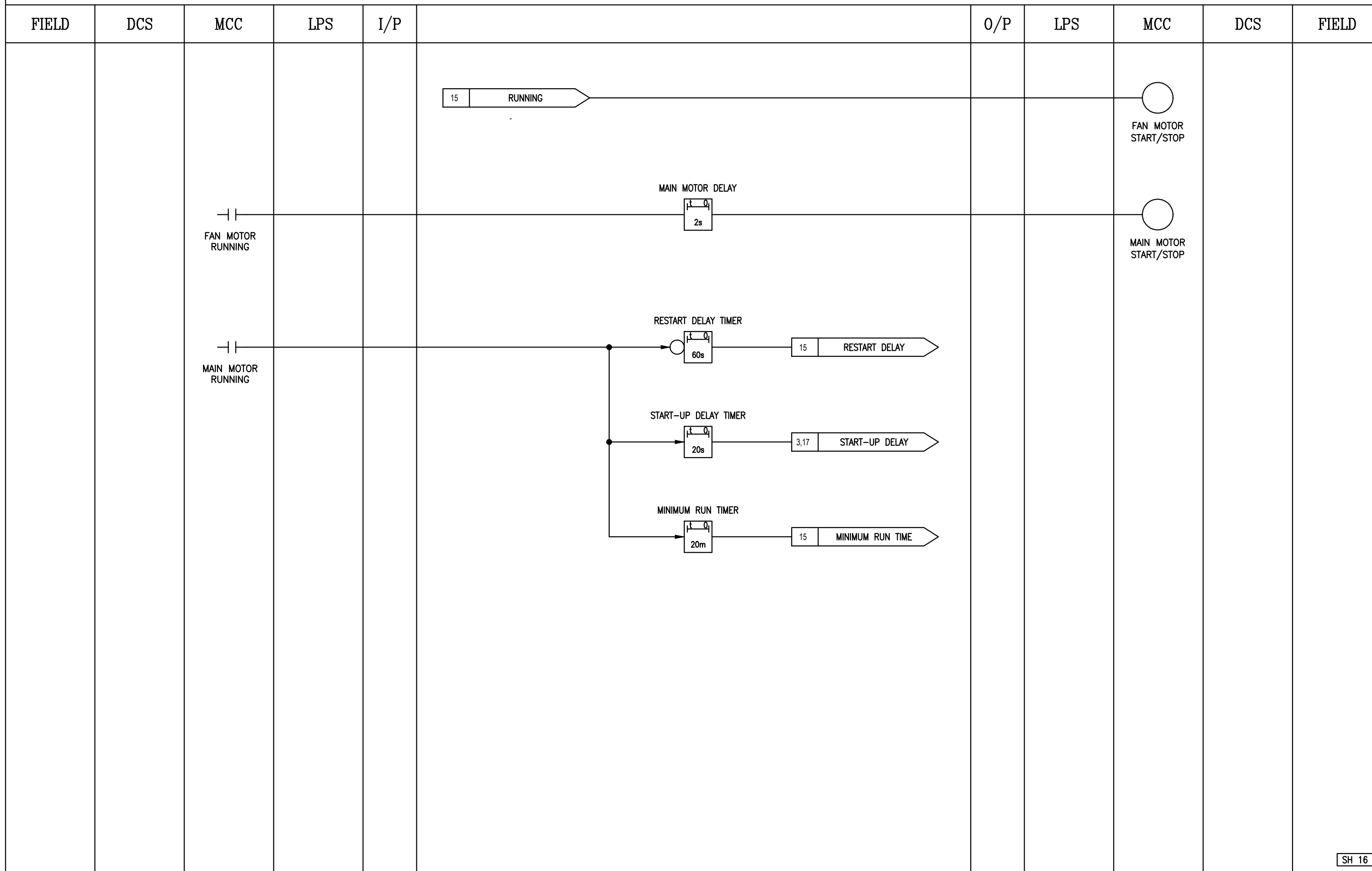
| | | | |
|-------------|------------------------------------|---|--|
| SUBJECT | | LOGIC DIAGRAM HIGH PRESSURE AIR COMPRESSOR K020 | |
| CLIENT | Lavan Industry Development Company | | |
| CLIENT REF | N-278-VD-6019-EL-DIA-01 | | |
| AIRPACK REF | 17735-COM | | |

| | | | |
|----------------|---------------|--|--|
| DATE | 08-03-2024 | | |
| DRAWN BY | AZ | | |
| CHECKED BY | SK | | |
| PLANT LOCATION | IRAN, ONSHORE | | |
| DRAWING NO. | 17735-32 | | |
| SHEET NO. | 15 / 17 | | |

THIS DRAWING IS OWNED BY AIRPACK AND SHALL NOT BE PRINTED OR COPIED IN ANY OTHER WAY THAN WITH AIRPACKS PERMISSION

| | | |
|----|------------|----|
| 02 | 09-04-2024 | AZ |
| 01 | 08-03-2024 | AZ |

LOGIC DIAGRAM



SH 16

NOTES:

1. -



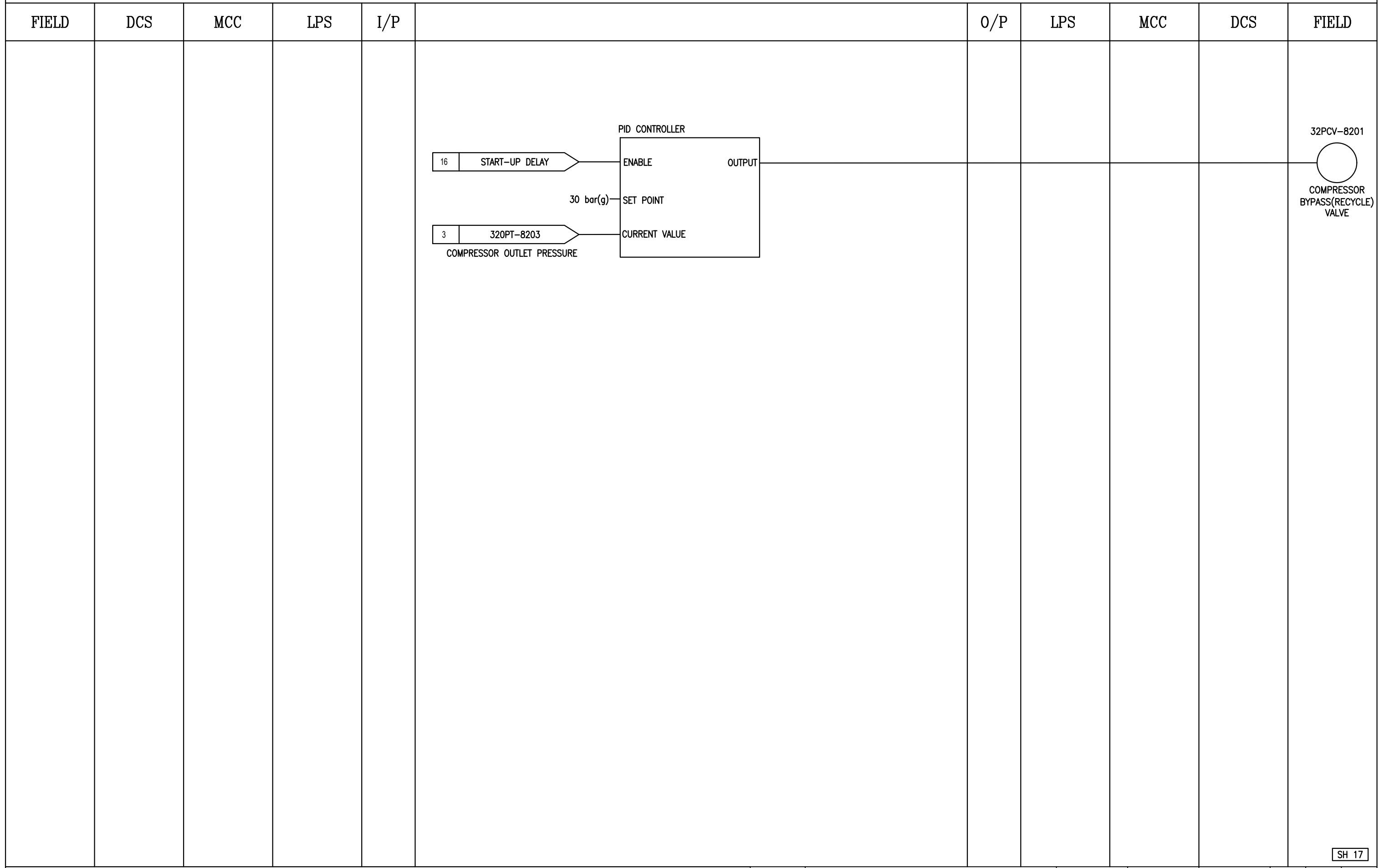
| | | | |
|-------------|------------------------------------|---|---------------|
| SUBJECT | | LOGIC DIAGRAM HIGH PRESSURE AIR COMPRESSOR K020 | |
| CLIENT | Lavan Industry Development Company | PLANT LOCATION | IRAN, ONSHORE |
| CLIENT REF | N-278-VD-6019-EL-DIA-01 | DRAWING NO. | 17735-32 |
| AIRPACK REF | 17735-COM | SHEET NO. | 16 / 17 |

| | |
|------------|------------|
| DATE | 08-03-2024 |
| DRAWN BY | AZ |
| CHECKED BY | SK |

THIS DRAWING IS OWNED BY AIRPACK AND SHALL NOT BE PRINTED OR COPIED IN ANY OTHER WAY THAN WITH AIRPACKS PERMISSION

| | | |
|----|------------|----|
| 02 | 09-04-2024 | AZ |
| 01 | 08-03-2024 | AZ |

LOGIC DIAGRAM



SH 17

NOTES:

1. -



| | | | |
|-------------|------------------------------------|---|--|
| SUBJECT | | LOGIC DIAGRAM HIGH PRESSURE AIR COMPRESSOR K020 | |
| CLIENT | Lavan Industry Development Company | | |
| CLIENT REF | N-278-VD-6019-EL-DIA-01 | | |
| AIRPACK REF | 17735-COM | | |

| | |
|----------------|---------------|
| DATE | 08-03-2024 |
| DRAWN BY | AZ |
| CHECKED BY | SK |
| PLANT LOCATION | IRAN, ONSHORE |
| DRAWING NO. | 17735-32 |
| SHEET NO. | 17 / 17 |

THIS DRAWING IS OWNED BY AIRPACK AND SHALL NOT BE PRINTED OR COPIED IN ANY OTHER WAY THAN WITH AIRPACKS PERMISSION

| | | |
|----|------------|----|
| | | |
| 02 | 09-04-2024 | AZ |
| 01 | 08-03-2024 | AZ |