



LIDCO, Pars SEE Zone, Assaluyeh,
Integrated Methanol and Ammonia
Plant 3000 MTPD MeOH / 900 MTPD NH3 PROJECT



General Arrangement Drawing (incl foundation load details)



Document No. 17735-04

Project No.	Vendor Doc.	P.O. No.	Department	Document Type	Serial No	Revision	Page
N278	VD	6019	PR	GAD	0003	02	Page 1 of 3

**Airpack B.V. - Air Compressor –
Integrated Methanol and Ammonia Plant
17735-COM General Arrangement Drawing (incl foundation load
details) (K020)**

Code 2
M.Dalakeh

REV.	DATE	DESCRIPTION	DRAWN	CHECKED	APPROVED
02	17-04-2024	Issued for Approval	F.T.	S.K.	J.J.
01	02-01-2024	Issued for Approval	F.T.	S.K.	J.J.

This document has been produced by Contractor for LIDCO. It is confidential and cannot be disclosed to or used by any third party for any purpose without prior written consent.

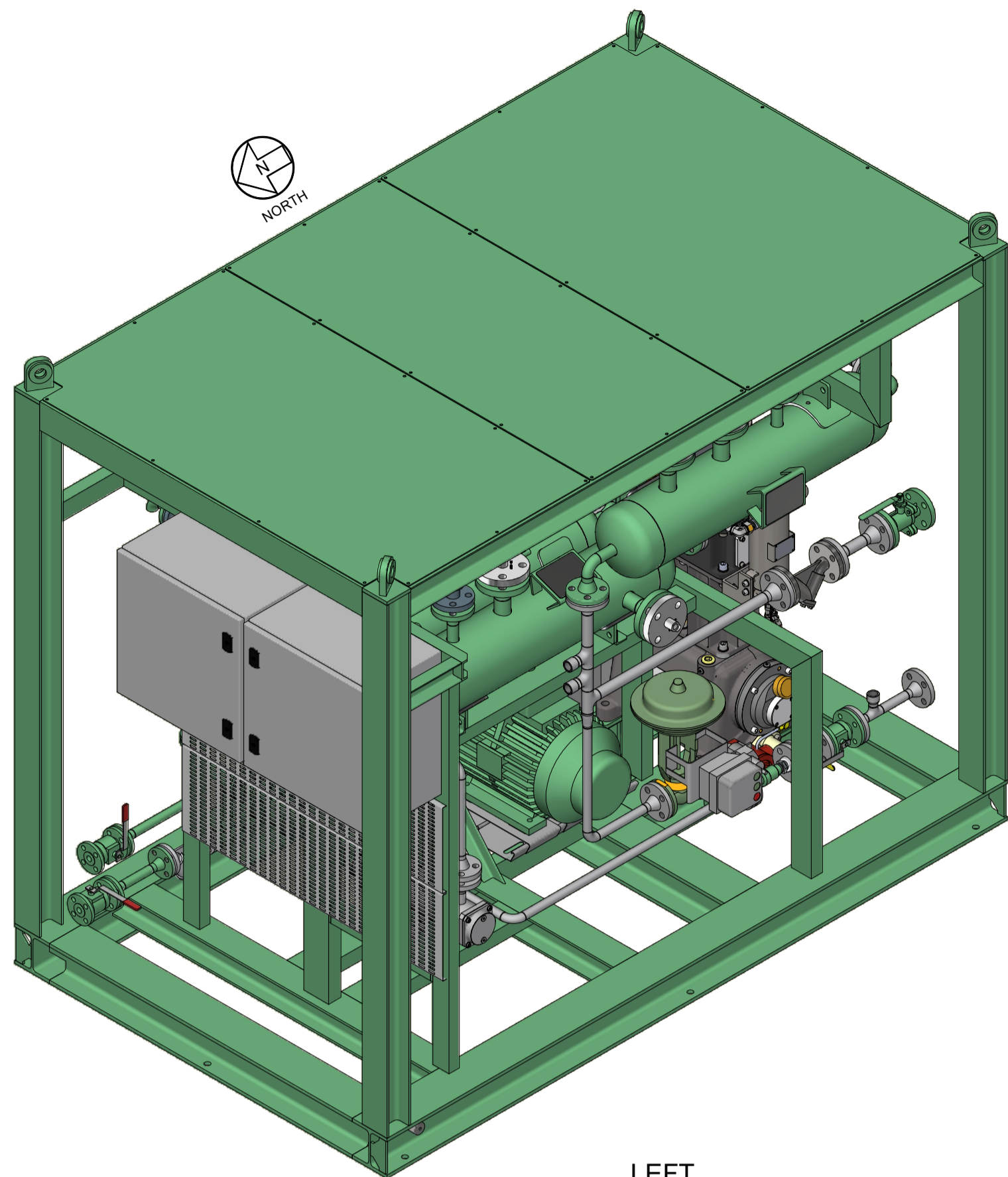
General Arrangement Drawing (incl foundation load details)

Document No. 17735-04

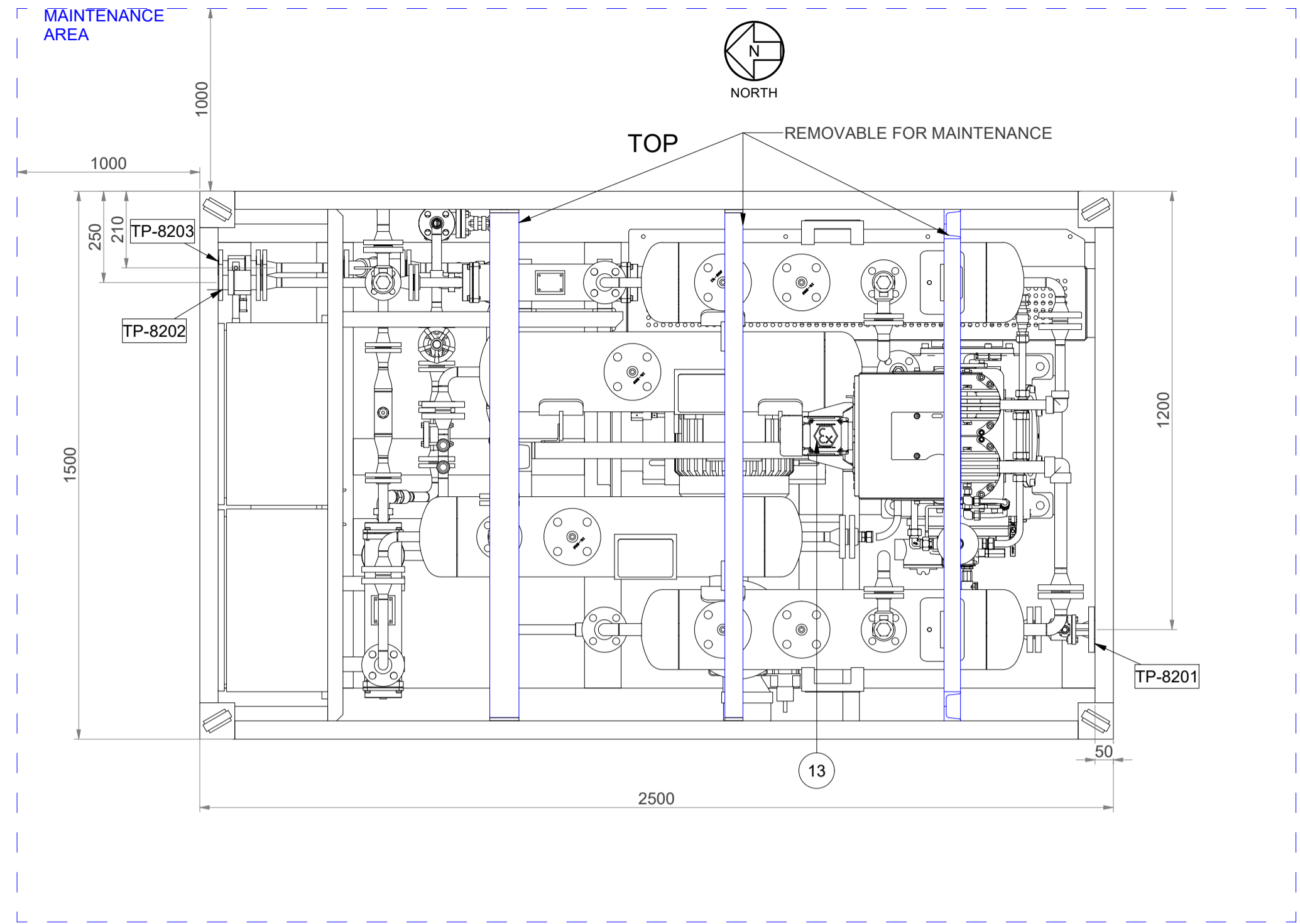
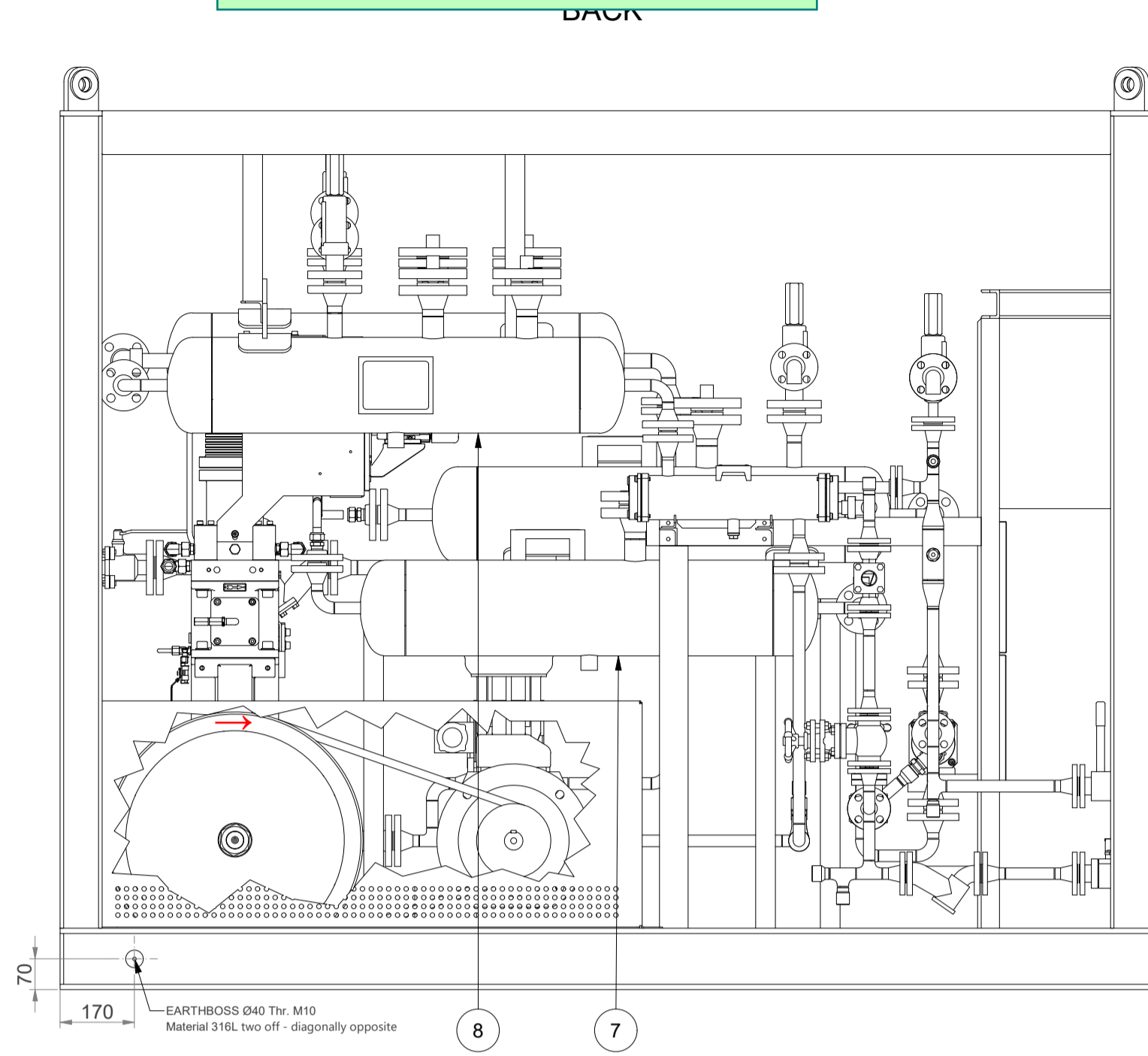
Project No.	Vendor Doc.	P.O. No.	Department	Document Type	Serial No	Revision	Page
N278	VD	6019	PR	GAD	0003	02	Page 2 of 3

LIST OF REVISED PAGES

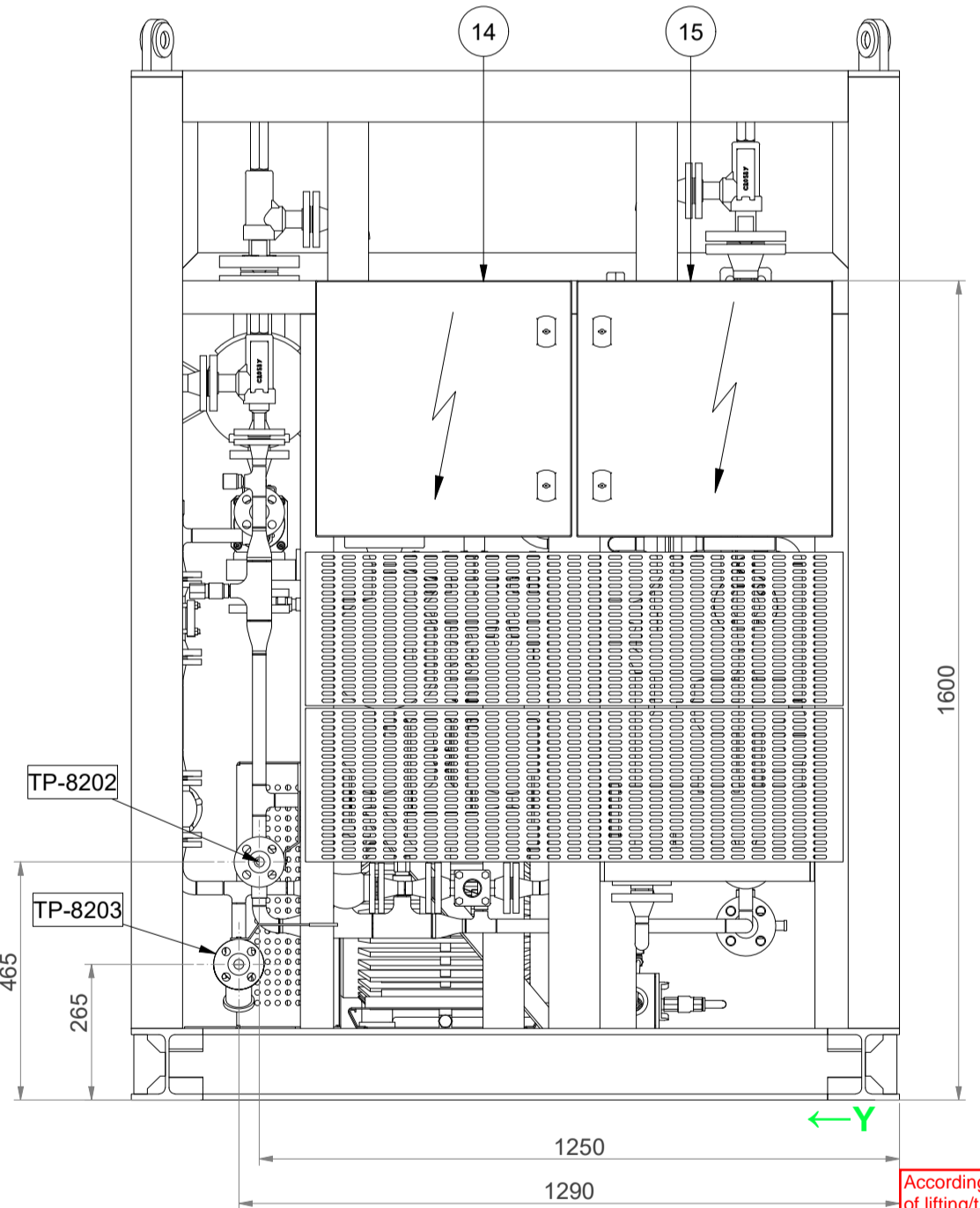
Rev. Page	01	02	03	04	05	Rev. Page	01	02	03	04	05	Rev. Page	01	02	03	04	05	Rev. Page	01	02	03	04	05	
1	X	X				26						51						76						
2	X	X				27						52						77						
3	X	X				28						53						78						
4						29						54						79						
5						30						55						80						
6						31						56						81						
7						32						57						82						
8						33						58						83						
9						34						59						84						
10						35						60						85						
11						36						61						86						
12						37						62						87						
13						38						63						88						
14						39						64						89						
15						40						65						90						
16						41						66						91						
17						42						67						92						
18						43						68						ATTACHMENT						
19						44						69						1						
20						45						70						2						
21						46						71						3						
22						47						72						4						
23						48						73						5						
24						49						74						6						
25						50						75						7						



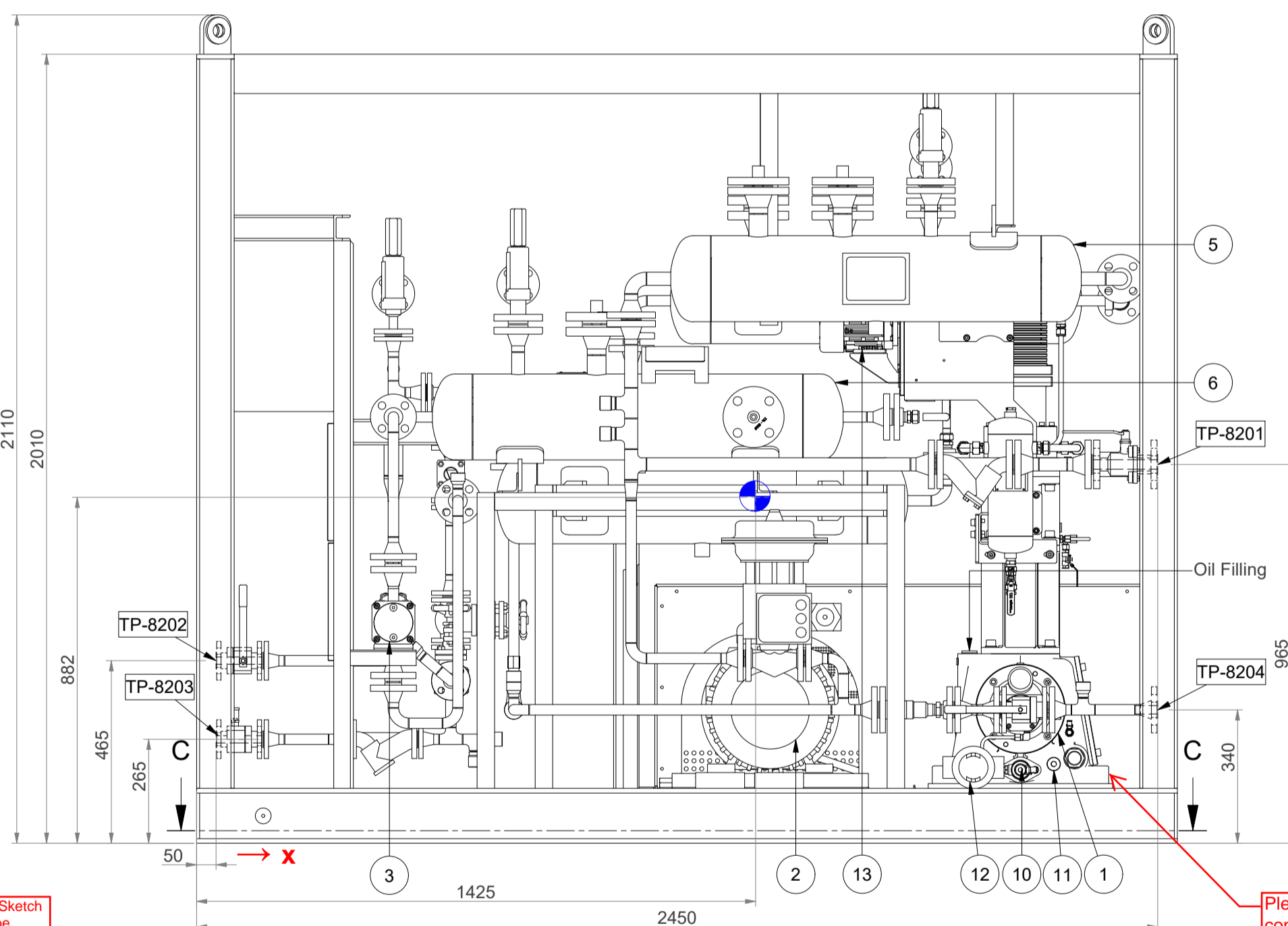
Nozzle Location, and cable tray details to be indicated in this document.



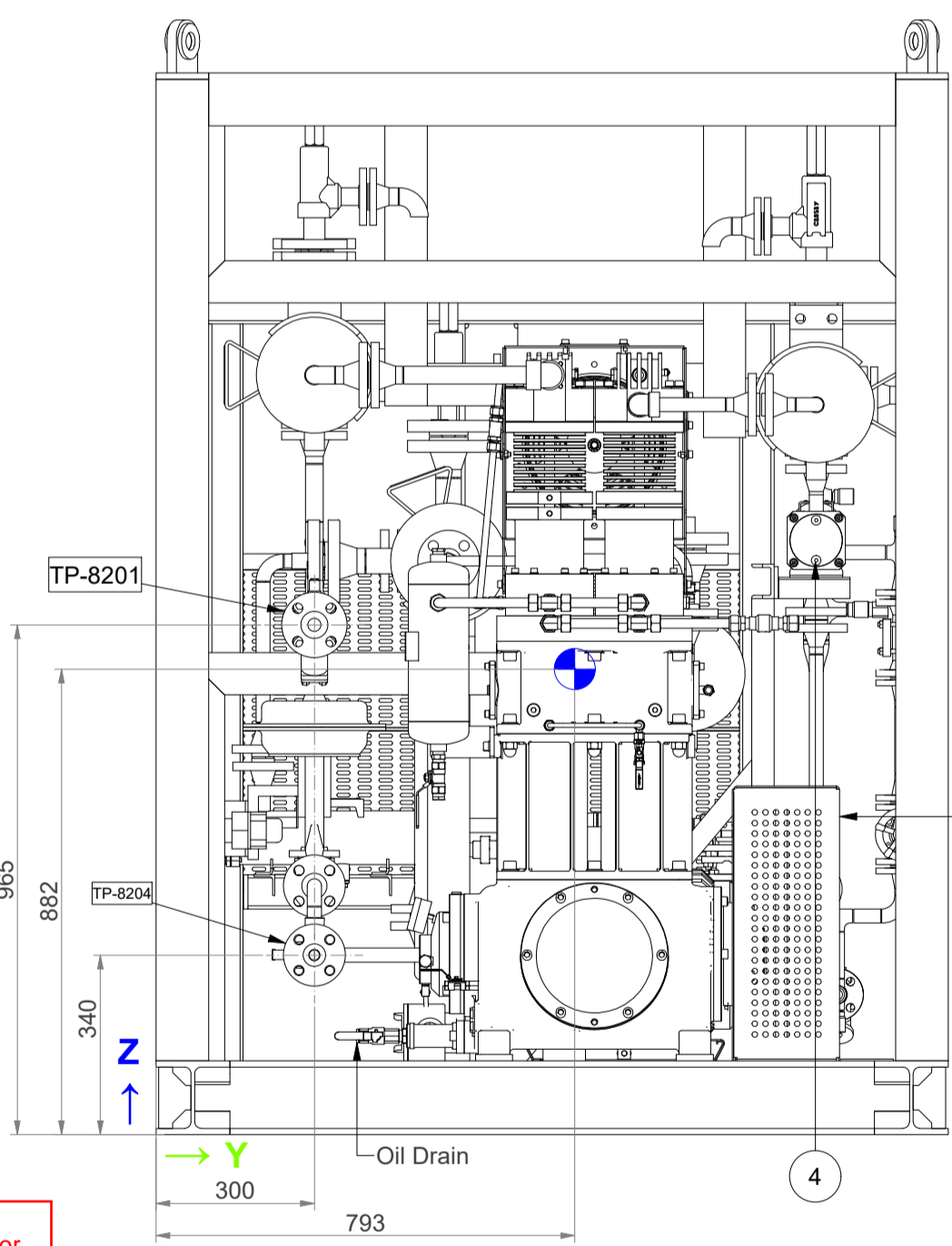
LEFT



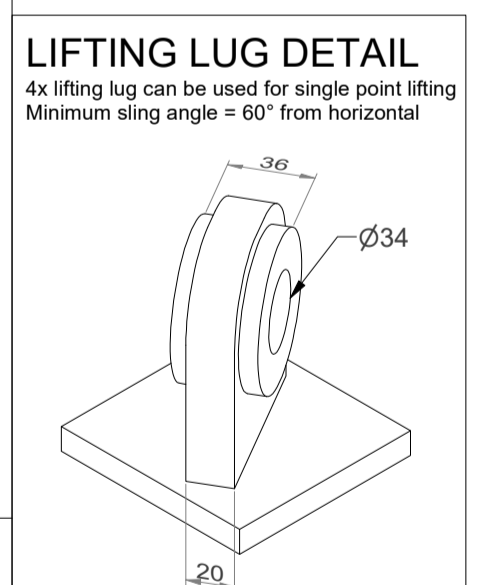
TOP
FRONT



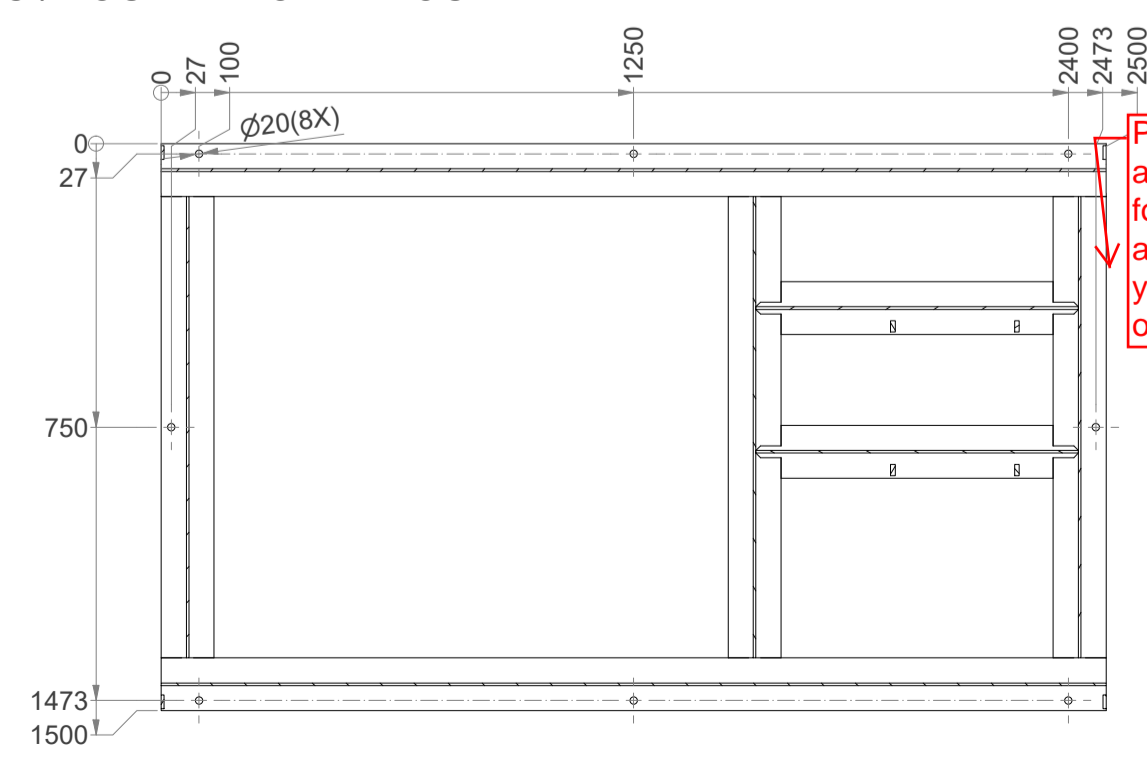
RIGHT



BACK

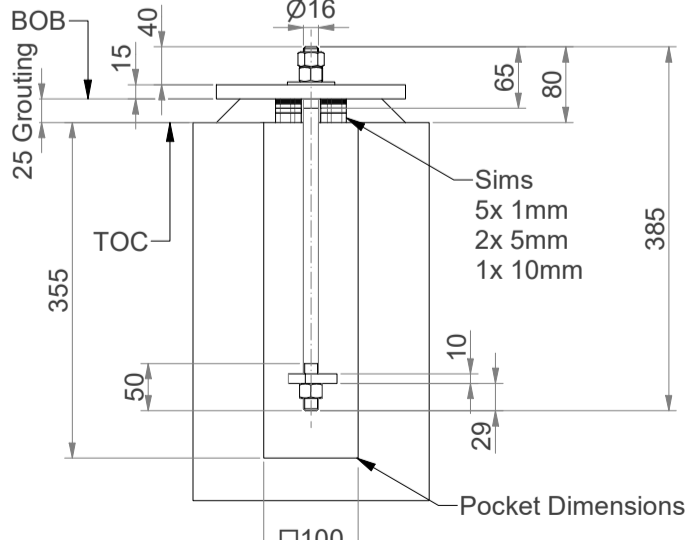


C-C / FOUNDATION LAYOUT



According to vendor reply on VPIs, Sketch of lifting/transport arrangement will be provided as additional page on GA. Since lifting lug are already considered, please add lifting drawing.

Please check attached foundation drawing and let us have your confirmation on this drawing.



loading table should be complete; wind, seismic, if any

Please check and consider indicator for oil in sump, for instance level gauge.

Piping Comment:
it seems that the tie-in point numbers are not compatible with vendor PID and line list for example according to PID
1-Air outlet TP is 8202
2-Cooling water outlet TP is 8204
please check and modify tie-in table and drawings as well.

- Notes on foundation details:
- 8x T.EN/ISO 8.8 19 MnB4.16.80.305 Anchor bolts acc.: N278-000-ST-JSC-1700-003-REV-03
 - Skid will be supported on 25mm thk non-shrink cementitious grout
 - No dynamic forces is envisaged on foundation or dynamic forces are negligible
 - No filling of concrete inside the skid is required

TP	Size	Nozzle Data	Tie in Points Max. External Allowable Nozzle Loads from outside Package							Pos. X	Pos. Y	Pos. Z
			FH (+/-)	FV (+/-)	FA (+/-)	MH (+/-)	MA (+/-)	MV (+/-)				
TP-8201	1" 300# RF B16.5	Air Inlet	1	1	1	0.3	1	0.3	2450	300	965	
TP-8204	3/4" 300# RF B16.5	Air Outlet	1	1	1	0.3	1	0.3	2450	300	440	
TP-8203	1/2" 150# RF B16.5	Cooling water inlet	1	1	1	0.3	1	0.3	50	1290	265	
TP-8202	3/4" 150# RF B16.5	Cooling water outlet	1	1	1	0.3	1	0.3	50	1250	465	

REFERENCE DOCUMENTS		DESCRIPTION	DOCUMENT NUMBER
1	PID	Outline Dimensional Drawings for LOP Panel and Junction Box	N-278-VD-003-001
2	Equipment Data Sheet	Equipment Data Sheet	N-278-VD-001
3	Inner / Outer Cooler Data Sheet	Inner / Outer Cooler Data Sheet	N-278-VD-001
4	Package Nameplate Drawing	Package Nameplate Drawing	N-278-VD-001

No.	Item	Tag nr.	Remarks
1	Compressor	K-020	Model H8V130
2	Main Motor	K-020	11 kW/1450rpm
3	Inner Cooler	KV-020-001	
4	Outer Cooler	KV-020-002	
5	Pulsation Damper 1st	KV-020-003	Discharge
6	Pulsation Damper 1st	KV-020-003	Suction side
7	Pulsation Damper 2nd	KV-020-004	Suction side
8	Pulsation Damper 2nd	KV-020-004	Discharge side
9	Valve Guard		
10	Lube Oil Pump		
11	Fan		
12	Oil sump heater	KH-020-001	
13	Fan Motor	KM-020-001	11 kW
14	Local Purification Station	LSLP-020	
15	Junction Box	JB-020AN-001	

CALCULATED WEIGHT DATA (kg)	
Skid dry weight	2700
Skid operational weight	2700
Maintenance weight max.	320 (main e-motor)
Compressor	420
Pulsation Dampers	18
Inner/Outer Cooler	15

Client Ref.	ISO-2768-1 (v)	Date	Checked by	Scale	Plant Location
Lavan Industry Development Company (LIDCO)	K-020 Integrated Methanol and Ammonia Plant	11-4-2024	FVT	SK	Onshore
Client Doc. No.	N-278-VD-6019-PR-GAD-0003-01	11-4-2024	SK		

REV	DATE	DRAWN	ACC.
1	11-4-2024	FVT	SK
0	28-12-2023	SK	SK

High Pressure Air Compressor

Client: Lavan Industry Development Company (LIDCO)
 ISO-2768-1 (v): K-020 Integrated Methanol and Ammonia Plant
 Client Doc. No.: N-278-VD-6019-PR-GAD-0003-01

Checked by: SK
 Scale: Onshore
 Plant Location: Onshore
 Airpack Ref.: 17735-COM
 Drawing No.: 17735-04 GAD



Tag number of main motor is KM-020-001. check and revise.

Power of heater is 80 W.

The power of cooling fan is 140 W. check and revise.