



LIDCO, Pars SEE Zone, Assaluyeh,
Integrated Methanol and Ammonia
Plant 3000 MTPD MeOH / 900 MTPD NH3 PROJECT



Instrument Hook-up Drawing

Document No. 17735-38

Project No.	Vendor Doc.	P.O. No.	Department	Document Type	Serial No	Revision	Page
N278	VD	6019	IN	DWG	0035	02	Page 1 of 9

**Airpack B.V. - Air Compressor –
Integrated Methanol and Ammonia Plant
17735-COM Instrument Hook-up Drawing (K020)**

REV.	DATE	DESCRIPTION	DRAWN	CHECKED	APPROVED
02	14-02-2024	Issued for Approval	A.Z.	S.K.	J.J.
01	07-12-2023	Issued for Approval	A.Z.	S.K.	J.J.

This document has been produced by Contractor for LIDCO. It is confidential and cannot be disclosed to or used by any third party for any purpose without prior written consent.

Instrument Hook-up Drawing

Document No. 17735-38

Project No.	Vendor Doc.	P.O. No.	Department	Document Type	Serial No	Revision	Page
N278	VD	6019	IN	DWG	0035	02	Page 2 of 9

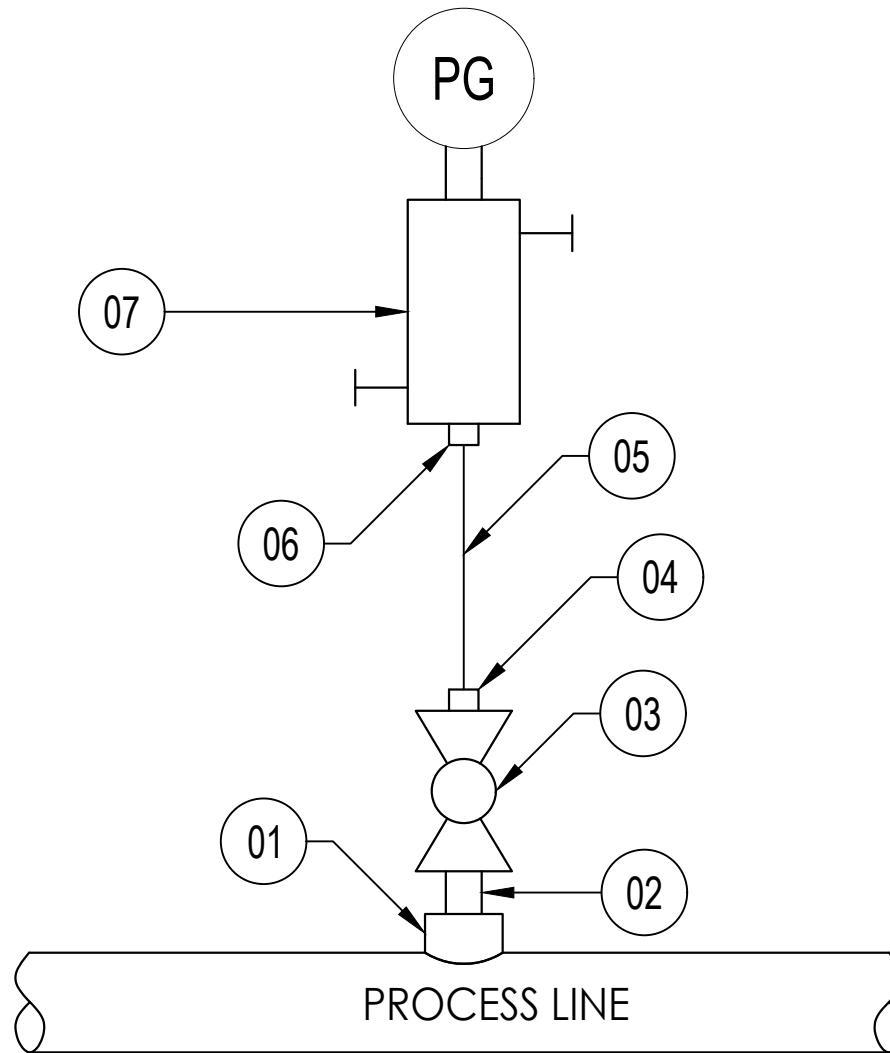
LIST OF REVISED PAGES

Rev. Page	01	02	03	04	05	Rev. Page	01	02	03	04	05	Rev. Page	01	02	03	04	05	Rev. Page	01	02	03	04	05	
1	X	X				26						51						76						
2	X	X				27						52						77						
3	X	X				28						53						78						
4	X	X				29						54						79						
5	X	X				30						55						80						
6	X	X				31						56						81						
7	X	X				32						57						82						
8	X	X				33						58						83						
9	X	X				34						59						84						
10						35						60						85						
11						36						61						86						
12						37						62						87						
13						38						63						88						
14						39						64						89						
15						40						65						90						
16						41						66						91						
17						42						67						92						
18						43						68						ATTACHMENT						
19						44						69						1						
20						45						70						2						
21						46						71						3						
22						47						72						4						
23						48						73						5						
24						49						74						6						
25						50						75						7						

PRESSURE GAUGE

Instrument General Comment:

- 1- Instrument and piping Battery limit scope of work to be specified.
- 2- revision No. of reference document to be removed. It's clear latest revision to be followed by vendor.
- 3- Tubing length to be specified.
- 4- Mounting type to be specified in document for each pages.



- as per vendor data sheet these tags are panel mounted, please add it in note part.
- tube length to be specified.

As per latest VPIS, "01" is removed from all document No.

ITEM	QTY	DESCRIPTION	SIZE	MATERIAL
01	01	PROCESS CONNECTION	3/4" NPT	SS316
02	01	HEX NIPPLE	3/4" NPT	SS316
03	01	BALL VALVE	3/4" NPT-F	SS316
04	01	CONNECTOR DOUBLE COMPRESSION TYPE	3/4"NPT-M-12mmOD	SS316
05	-	TUBING	12mmOD	SS316
06	01	CONNECTOR DOUBLE COMPRESSION TYPE	1/2"NPT-M-12mmOD	SS316
07	01	2-WAY BLOCK & BLEED MANIFOLD	1/2" NPT-F x 1/2" NPT-F	SS316
08				
09				

TAGNUMBERS:

320PG-8201, 320PG-8202, 320PG-8203, 320PG-8204

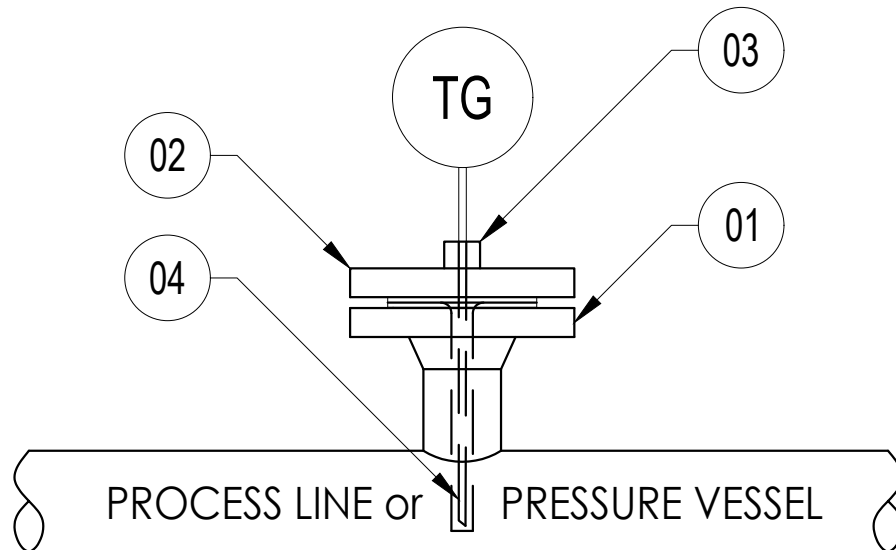
REFERENCE DOCUMENTS:

N-278-VD-6019-PR-PID-0002-01 P&ID
 N-278-VD-6019-IN-DS-0013-01 INSTRUMENT DATA SHEETS

	SUBJECT		HOOKUP PRESSURE GAUGE		DATE	07-12-2023	THIS DRAWING IS OWNED BY AIRPACK AND SHALL NOT BE PRINTED OR COPIED IN ANY OTHER WAY THAN WITH AIRPACKS PERMISSION			
	CLIENT		LAVAN INDUSTRY		DRAWN BY	AZ				
	CLIENT REF		Integrated Methanol and Ammonia Plant		CHECKED BY	SK				
	AIRPACK REF		17735-COM		PLANT LOCATION	IRAN ONSHORE				
				DRAWING NO.	17735-38			02	13-02-2024	AZ
				SHEETNO.	1			01	07-12-2023	AZ

TEMPERATURE GAUGE LOCALLY MOUNTED

all tags are locally mounted,
so this description is not
correct.



- TG tag names have discrepancy with the related data sheet.
- as per this drawing it seems TGs are head mounted. But in data sheet some TGs are panel mounted. Please clarify.

ITEM	QTY	DESCRIPTION	SIZE	MATERIAL
01	01	PROCESS CONNECTION	1 1/2" ANSI 300# RF	SS316
02	01	THERMOWELL	1 1/2" ANSI 300# RF	SS316
03	01	CONNECTOR DOUBLE COMPRESSION FITTING	3/4"NPT-M - 6mm OD	SS316
04	01	TEMPERATURE ELEMENT	N.A.	SS316
05				
06				
07				
08				
09				

TAGNUMBERS:

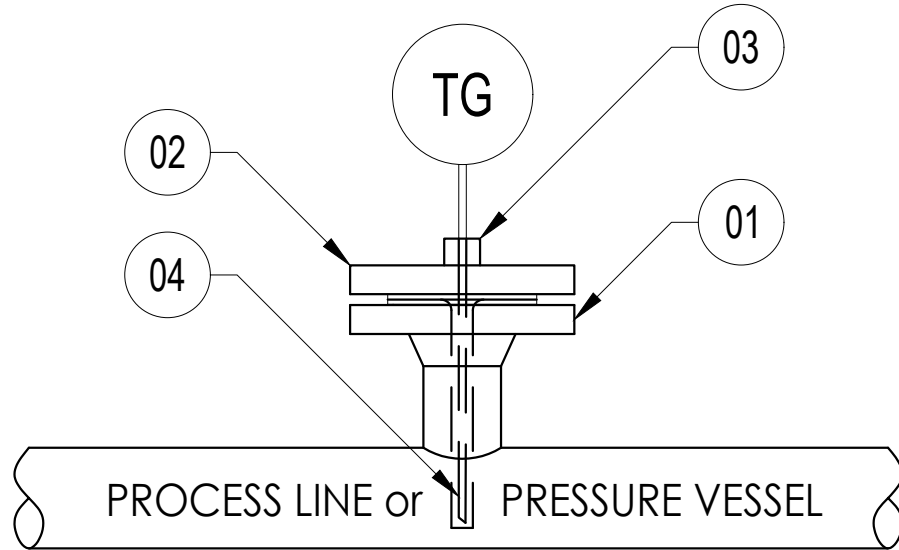
320TG-8206, 320TG-8209, 320TG-8210, 320TG-8211

REFERENCE DOCUMENTS:

N-278-VD-6019-PR-PID-0002-01 P&ID
N-278-VD-6019-IN-DS-0013-01 INSTRUMENT DATA SHEETS

	SUBJECT		HOOKUP TEMPERATURE GAUGE		DATE	07-12-2023	THIS DRAWING IS OWNED BY AIRPACK AND SHALL NOT BE PRINTED OR COPIED IN ANY OTHER WAY THAN WITH AIRPACKS PERMISSION			
	CLIENT		LAVAN INDUSTRY		DRAWN BY	AZ				
	CLIENT REF		Integrated Methanol and Ammonia Plant		CHECKED BY	SK				
	AIRPACK REF		17735-COM		PLANT LOCATION	IRAN ONSHORE				
				DRAWING NO.	17735-38			02	13-02-2024	AZ
				SHEETNO.	2			01	07-12-2023	AZ

TEMPERATURE GAUGE LOCALLY MOUNTED



- TG tag names have discrepancy with the related data sheet.
 - as per this drawing it seems TGs are head mounted. But in data sheet some TGs are panel mounted. Please clarify.

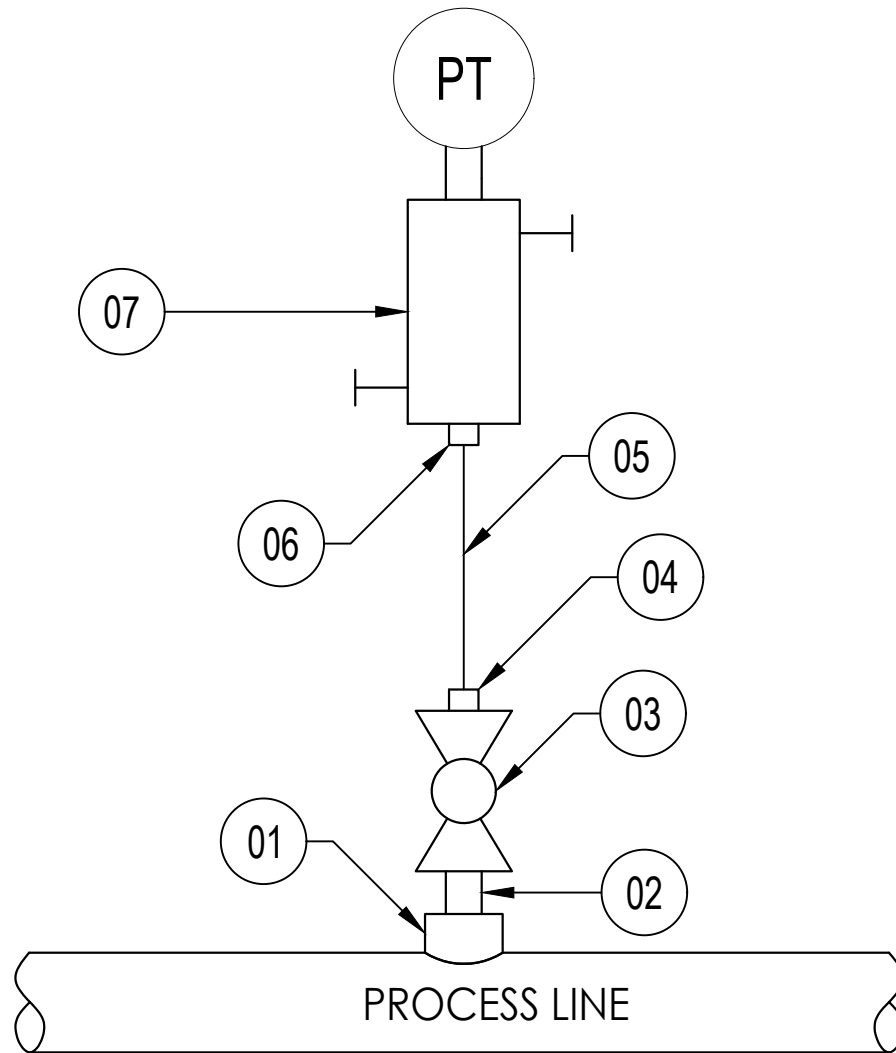
ITEM	QTY	DESCRIPTION	SIZE	MATERIAL
01	01	PROCESS CONNECTION	1 1/2" ANSI 600# RF	SS316
02	01	THERMOWELL	1 1/2" ANSI 600# RF	SS316
03	01	CONNECTOR DOUBLE COMPRESSION FITTING	3/4"NPT-M - 6mm OD	SS316
04	01	TEMPERATURE ELEMENT	N.A.	SS316
05				
06				
07				
08				
09				

TAGNUMBERS:
 320TG-8207, 320TG-8208

REFERENCE DOCUMENTS:
 N-278-VD-6019-PR-PID-0002-01 P&ID
 N-278-VD-6019-IN-DS-0013-01 INSTRUMENT DATA SHEETS

	SUBJECT		DATE		THIS DRAWING IS OWNED BY AIRPACK AND SHALL NOT BE PRINTED OR COPIED IN ANY OTHER WAY THAN WITH AIRPACKS PERMISSION				
	HOOKUP TEMPERATURE GAUGE		07-12-2023						
			DRAWN BY			AZ			
			CHECKED BY			SK			
	CLIENT		LAVAN INDUSTRY			PLANT LOCATION	IRAN ONSHORE		
CLIENT REF		Integrated Methanol and Ammonia Plant		DRAWING NO.	17735-38				
AIRPACK REF		17735-COM		SHEETNO.	3				
							02	13-02-2024	AZ
							01	07-12-2023	AZ

PRESSURE TRANSMITTER



- as per vendor data sheet mounting bracket to be supplied for these tags, please add it in note part.
 - Tube length to be specified.

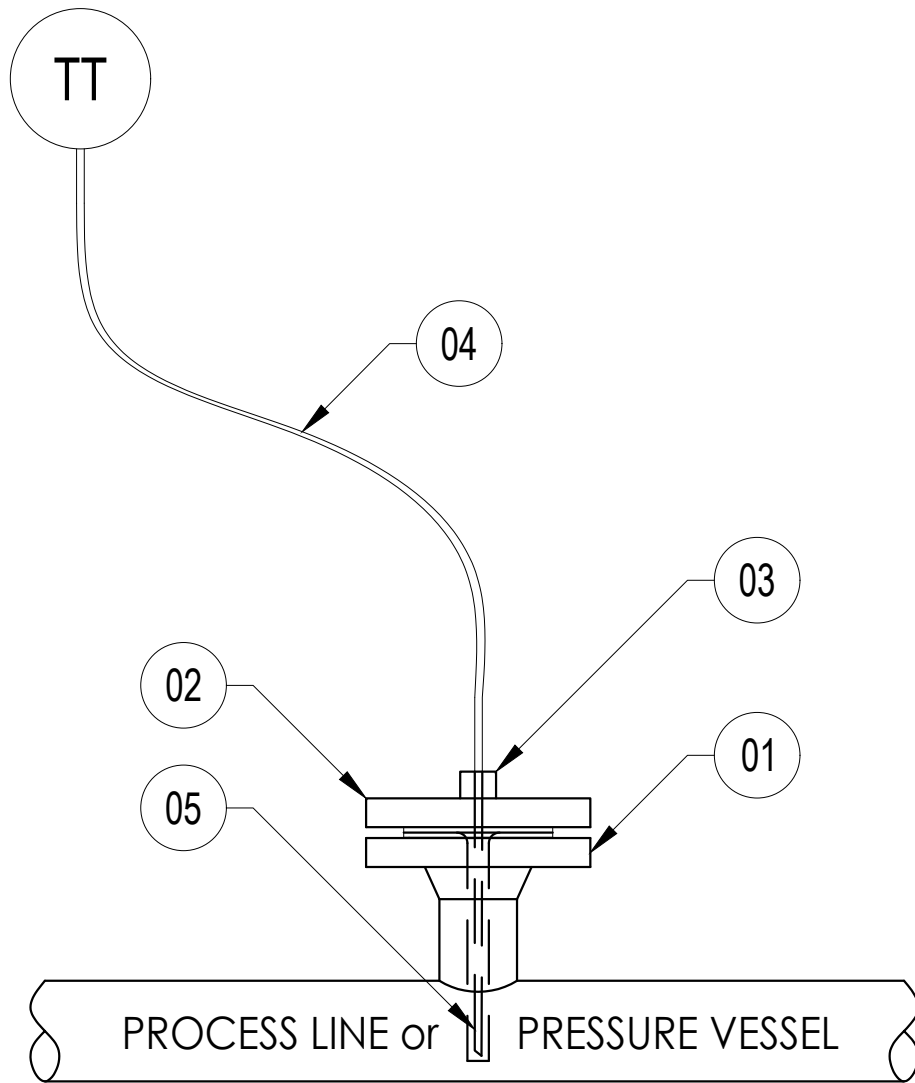
ITEM	QTY	DESCRIPTION	SIZE	MATERIAL
01	01	PROCESS CONNECTION	3/4" NPT	SS316
02	01	HEX NIPPLE	3/4" NPT	SS316
03	01	BALL VALVE	3/4" NPT-F	SS316
04	01	CONNECTOR DOUBLE COMPRESSION TYPE	3/4"NPT-M-12mmOD	SS316
05	-	TUBING	12mmOD	SS316
06	01	CONNECTOR DOUBLE COMPRESSION TYPE	1/2"NPT-M-12mmOD	SS316
07	01	2-WAY BLOCK & BLEED MANIFOLD	1/2" NPT-F x 1/2" NPT-F	SS316
08				
09				

TAGNUMBERS:
 320PT-8201, 320PT-8202, 320PT-8203, 320PT-8204

REFERENCE DOCUMENTS:
 N-278-VD-6019-PR-PID-0002-01 P&ID
 N-278-VD-6019-IN-DS-0013-01 INSTRUMENT DATA SHEETS

	SUBJECT	DATE	07-12-2023	THIS DRAWING IS OWNED BY AIRPACK AND SHALL NOT BE PRINTED OR COPIED IN ANY OTHER WAY THAN WITH AIRPACKS PERMISSION				
	HOOKUP PRESSURE TRANSMITTER		DRAWN BY		AZ			
	CLIENT	LAVAN INDUSTRY	CHECKED BY		SK			
	CLIENT REF	Integrated Methanol and Ammonia Plant	PLANT LOCATION		IRAN ONSHORE			
AIRPACK REF	17735-COM	DRAWING NO.	17735-38					
		SHEETNO.	4					
					02	13-02-2024	AZ	
					01	07-12-2023	AZ	

TEMPERATURE TRANSMITTER REMOTE MOUNTED



- as per vendor data sheet mounting bracket to be supplied for these tags, please add it in note part.

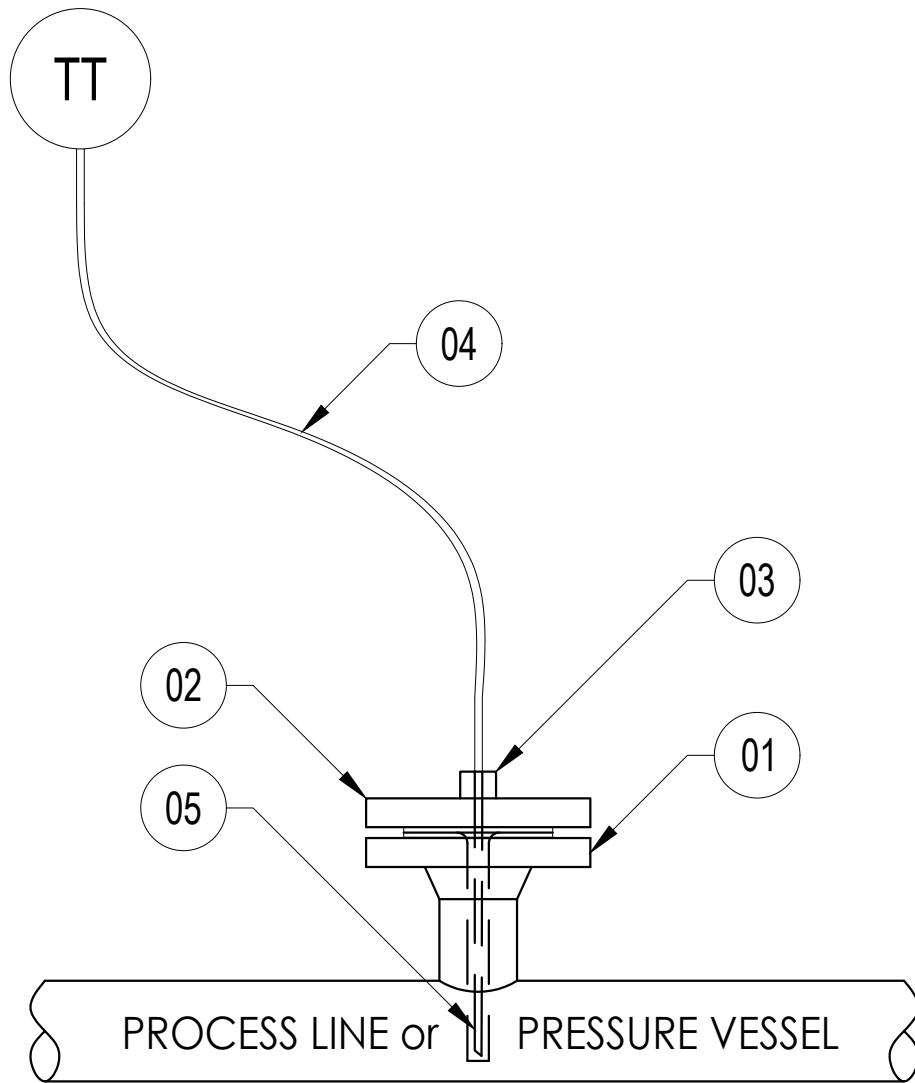
ITEM	QTY	DESCRIPTION	SIZE	MATERIAL
01	01	PROCESS CONNECTION	1 1/2" ANSI 300# RF	SS316
02	01	THERMOWELL	1 1/2" ANSI 300# RF	SS316
03	01	CONNECTOR DOUBLE COMPRESSION FITTING	3/4"NPT-M - 6mm OD	SS316
04	01	CAPILLARY, MOULDED TO TEMPERATURE ELEMENT	L=5m	SS316
05	01	TEMPERATURE ELEMENT	N.A.	SS316
06				
07				
08				
09				

<p>TAGNUMBERS: 320TT-8201, 320TT-8205</p>	<p>REFERENCE DOCUMENTS: N-278-VD-6019-PR-PID-0002-01 P&ID N-278-VD-6019-IN-DS-0013-01 INSTRUMENT DATA SHEETS</p>
--	---

	SUBJECT	DATE	07-12-2023	THIS DRAWING IS OWNED BY AIRPACK AND SHALL NOT BE PRINTED OR COPIED IN ANY OTHER WAY THAN WITH AIRPACKS PERMISSION				
	HOOKUP TEMPERATURE TRANSMITTER		DRAWN BY		AZ			
			CHECKED BY		SK			
	CLIENT	LAVAN INDUSTRY	PLANT LOCATION		IRAN ONSHORE			
	CLIENT REF	Integrated Methanol and Ammonia Plant	DRAWING NO.		17735-38			
AIRPACK REF	17735-COM	SHEETNO.	5					

02	13-02-2024	AZ
01	07-12-2023	AZ

TEMPERATURE TRANSMITTER REMOTE MOUNTED



- as per vendor data sheet mounting bracket to be supplied for these tags, please add it in note part.

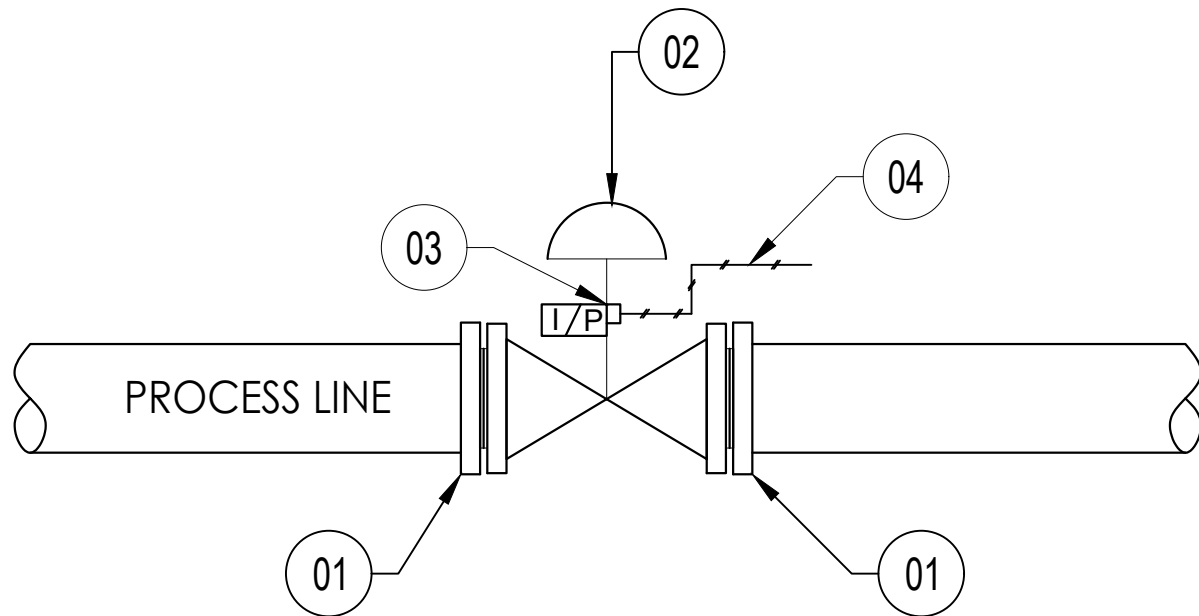
ITEM	QTY	DESCRIPTION	SIZE	MATERIAL
01	01	PROCESS CONNECTION	1 1/2" ANSI 600# RF	SS316
02	01	THERMOWELL	1 1/2" ANSI 600# RF	SS316
03	01	CONNECTOR DOUBLE COMPRESSION FITTING	3/4"NPT-M - 6mm OD	SS316
04	01	CAPILLARY, MOULDED TO TEMPERATURE ELEMENT	L=5m	SS316
05	01	TEMPERATURE ELEMENT	N.A.	SS316
06				
07				
08				
09				

TAGNUMBERS: 320TT-8202, 320TT-8203, 320TT-8204	REFERENCE DOCUMENTS: N-278-VD-6019-PR-PID-0002-01 P&ID N-278-VD-6019-IN-DS-0013-01 INSTRUMENT DATA SHEETS
--	--

	SUBJECT	DATE	07-12-2023	THIS DRAWING IS OWNED BY AIRPACK AND SHALL NOT BE PRINTED OR COPIED IN ANY OTHER WAY THAN WITH AIRPACKS PERMISSION				
	HOOKUP TEMPERATURE TRANSMITTER		DRAWN BY		AZ			
			CHECKED BY		SK			
	CLIENT	LAVAN INDUSTRY	PLANT LOCATION		IRAN ONSHORE			
	CLIENT REF	Integrated Methanol and Ammonia Plant	DRAWING NO.		17735-38			
AIRPACK REF	17735-COM	SHEETNO.	6					

	02	13-02-2024	AZ
	01	07-12-2023	AZ

PRESSURE BYPASS (RECYCLE) VALVE




ITEM	QTY	DESCRIPTION	SIZE	MATERIAL
01	02	PROCESS CONNECTION	3/4" ANSI 300# RF	SS316
02	01	PRESSURE CONTROL VALVE	3/4"ANSI 300# RF	SS316
03	01	CONNECTOR DOUBLE COMPRESSION TYPE	1/4"NPT-M- 12mmOD	SS316
04	-	TUBING	12mmOD	SS316
05				
06				
07				
08				
09				

TAGNUMBERS:
320PCV-8201

REFERENCE DOCUMENTS:

N-278-VD-6019-PR-PID-0002-01 P&ID
N-278-VD-6019-IN-DS-0041-01 CONTROL VALVE DATA SHEETS

	SUBJECT		HOOKUP		DATE	07-12-2023	THIS DRAWING IS OWNED BY AIRPACK AND SHALL NOT BE PRINTED OR COPIED IN ANY OTHER WAY THAN WITH AIRPACKS PERMISSION				
			PRESSURE BYPASS (RECYCLE) VALVE		DRAWN BY	AZ					
	CLIENT	LAVAN INDUSTRY		CHECKED BY	SK	PLANT LOCATION		IRAN ONSHORE			
	CLIENT REF	Integrated Methanol and Ammonia Plant		DRAWING NO.	17735-38	SHEETNO.		7	02	13-02-2024	AZ
AIRPACK REF	17735-COM						01	07-12-2023	AZ		