



LIDCO, Pars SEE Zone, Assaluyeh,
Integrated Methanol and Ammonia
Plant 3000 MTPD MeOH / 900 MTPD NH3 PROJECT



General Arrangement Drawing (incl foundation load details)



Document No. 17735-04

Project No.	Vendor Doc.	P.O. No.	Department	Document Type	Serial No	Revision	Page
N278	VD	6019	PR	GAD	0003	03	Page 1 of 3

**Airpack B.V. - Air Compressor –
Integrated Methanol and Ammonia Plant
17735-COM General Arrangement Drawing (incl foundation load
details) (K020)**

03	21-06-2024	Issued for Approval	F.T.	S.K.	J.J.
02	17-04-2024	Issued for Approval	F.T.	S.K.	J.J.
01	02-01-2024	Issued for Approval	F.T.	S.K.	J.J.
REV.	DATE	DESCRIPTION	DRAWN	CHECKED	APPROVED

This document has been produced by Contractor for LIDCO. It is confidential and cannot be disclosed to or used by any third party for any purpose without prior written consent.

General Arrangement Drawing (incl foundation load details)

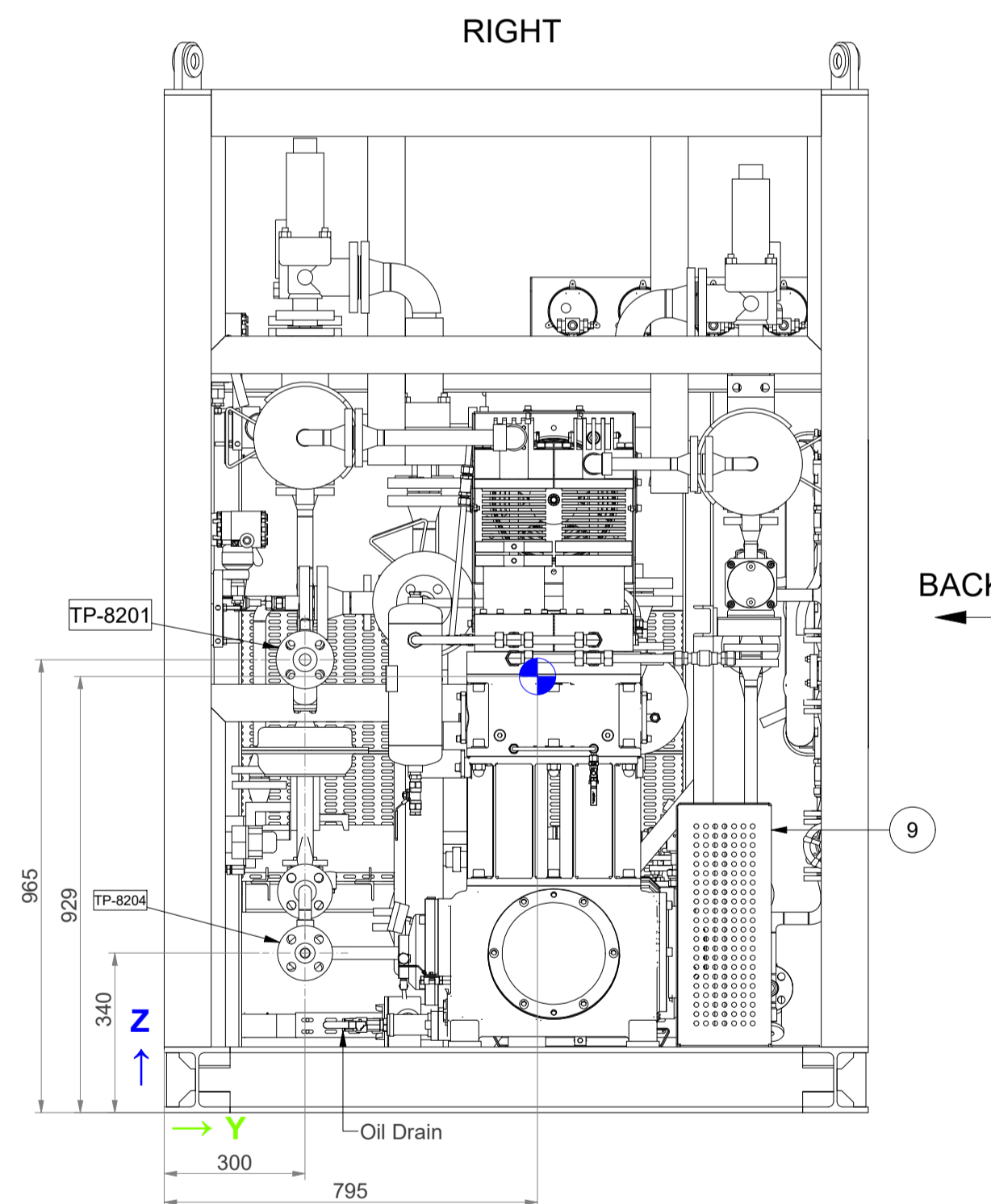
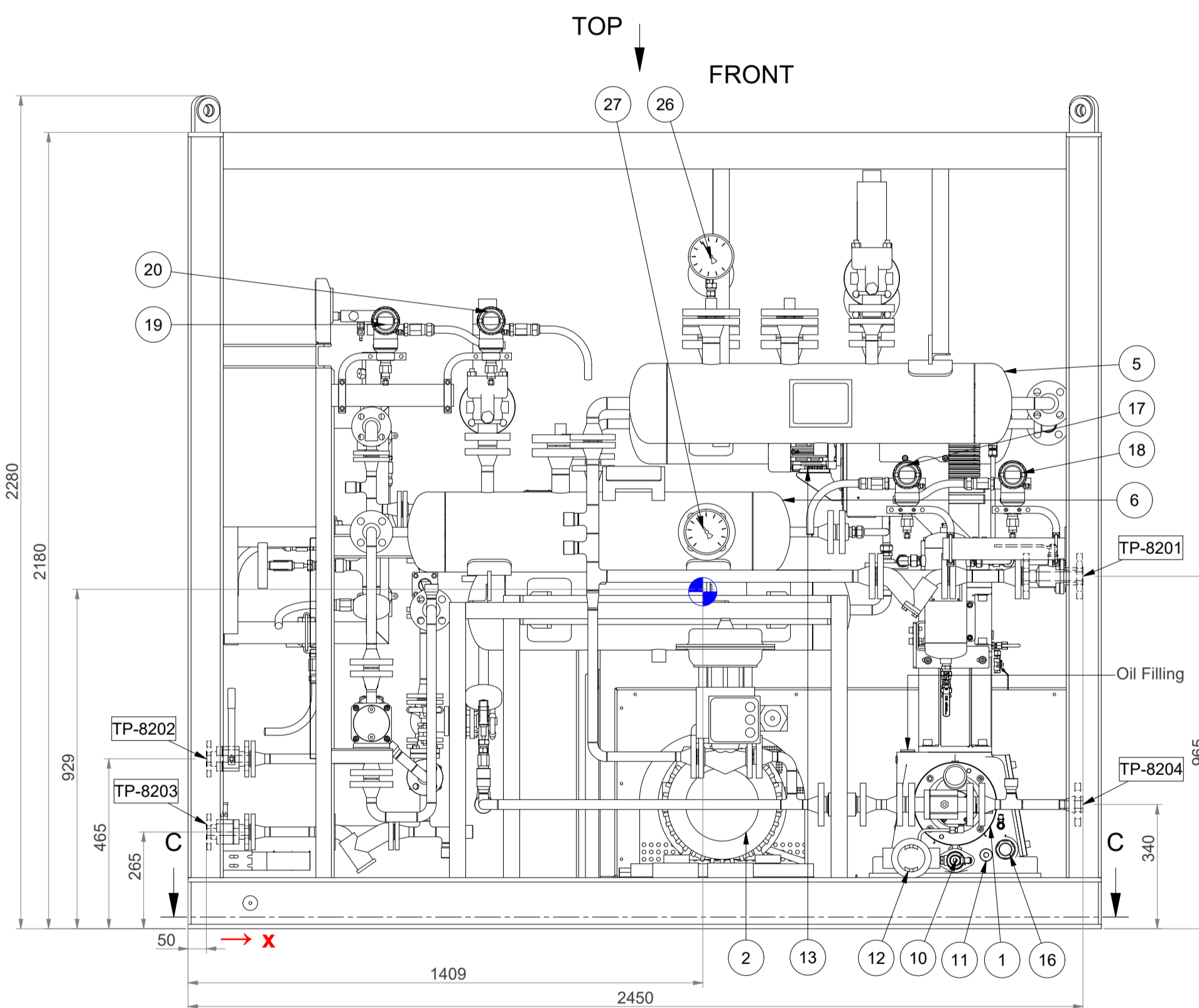
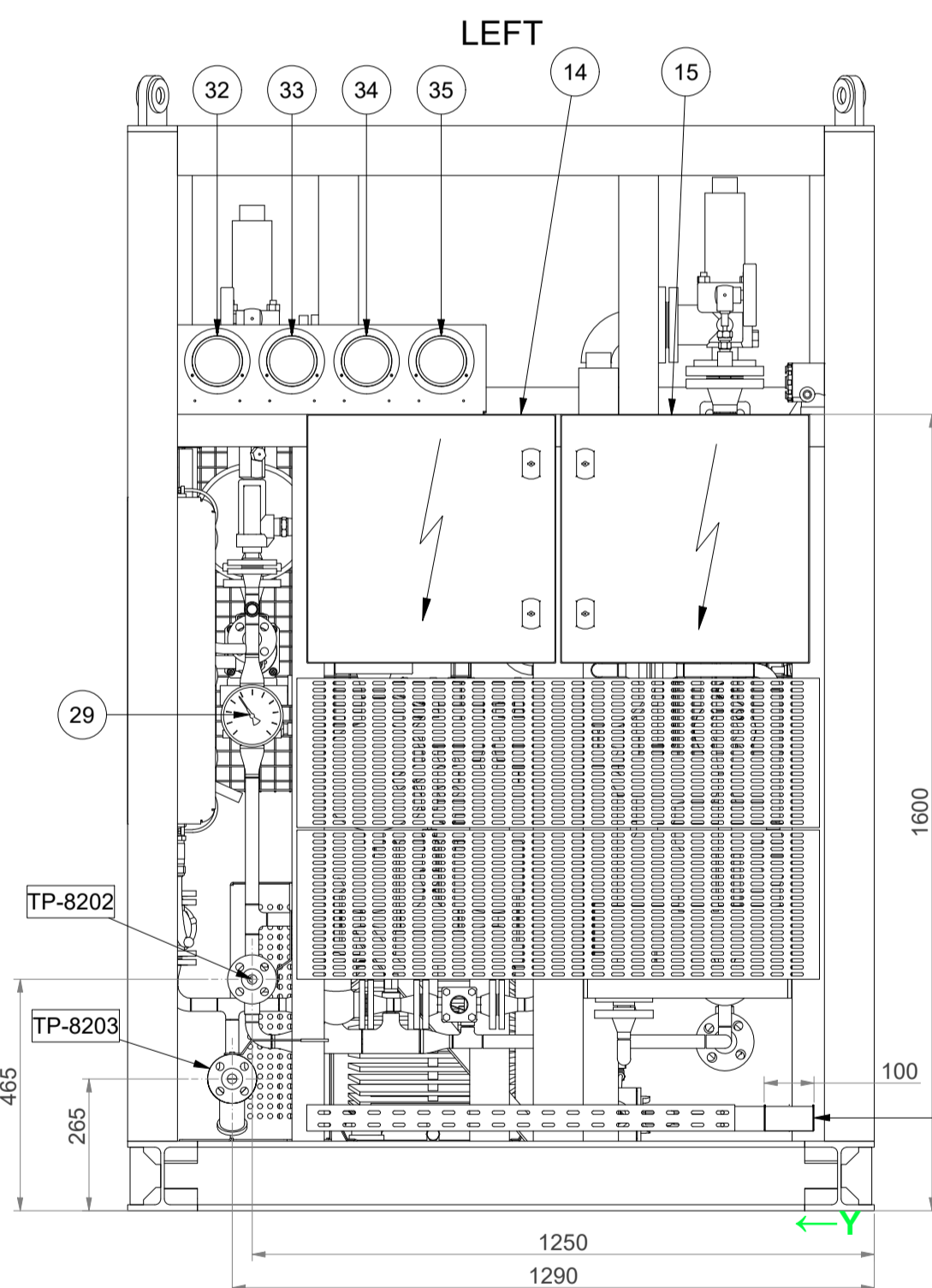
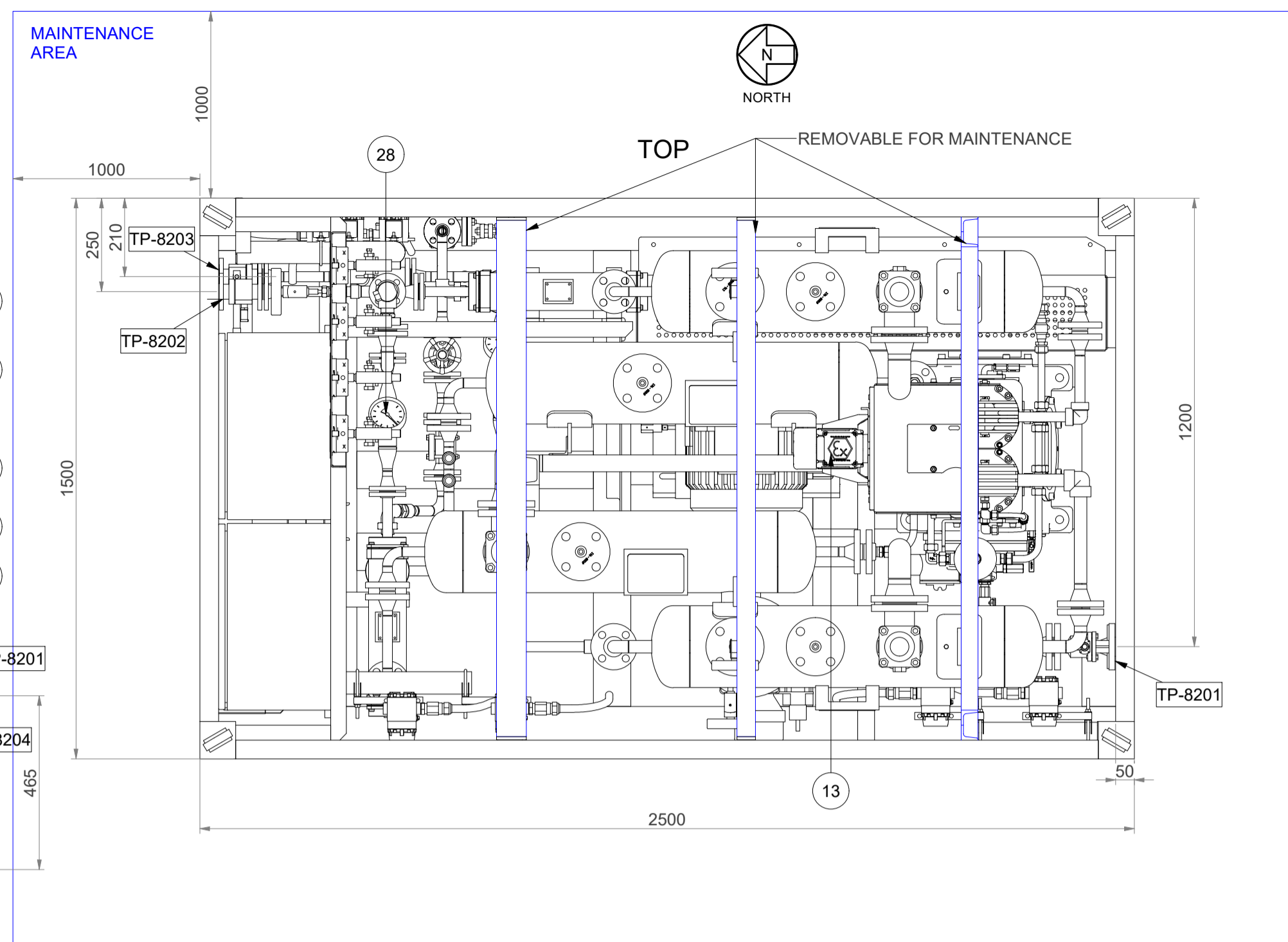
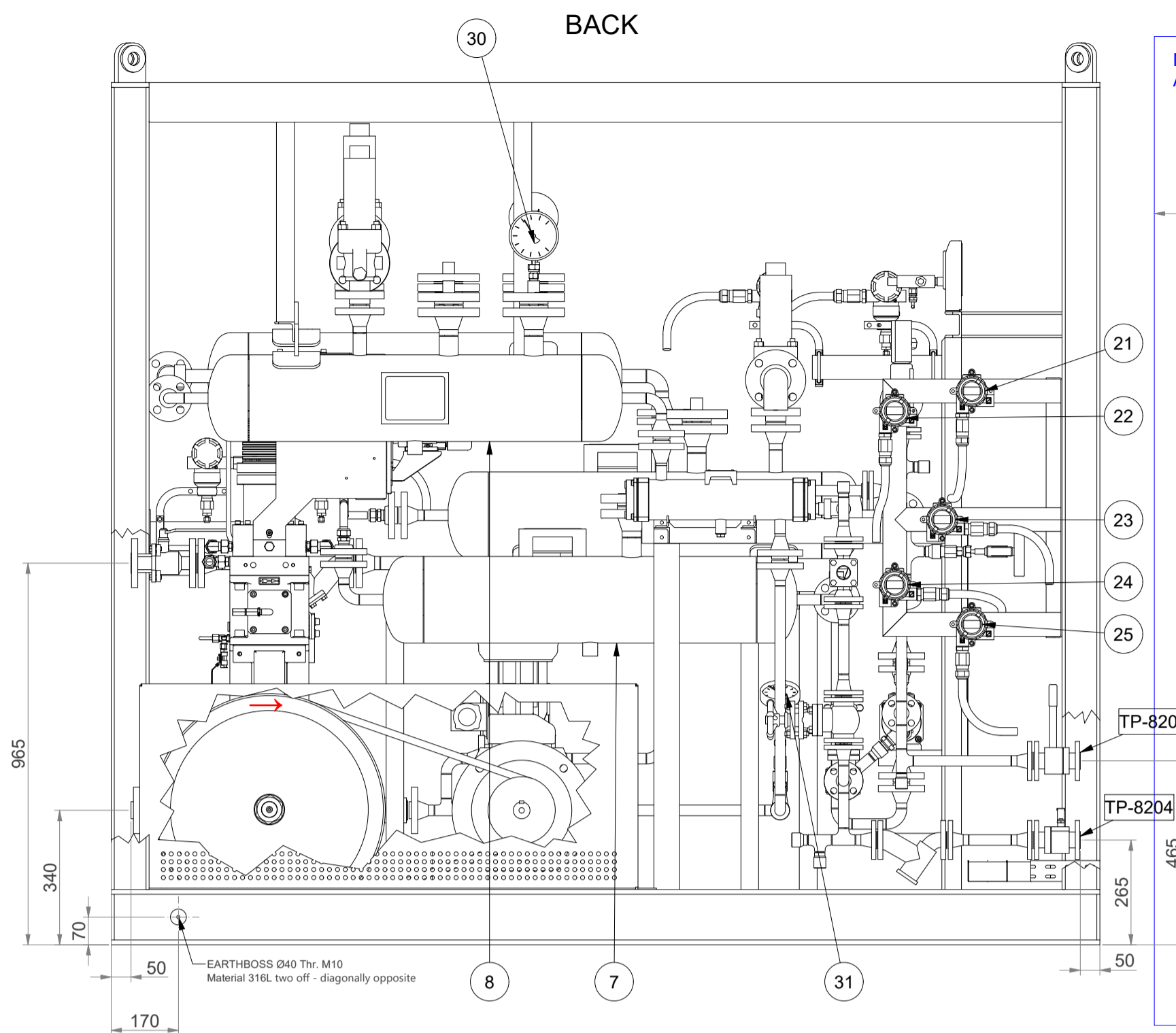
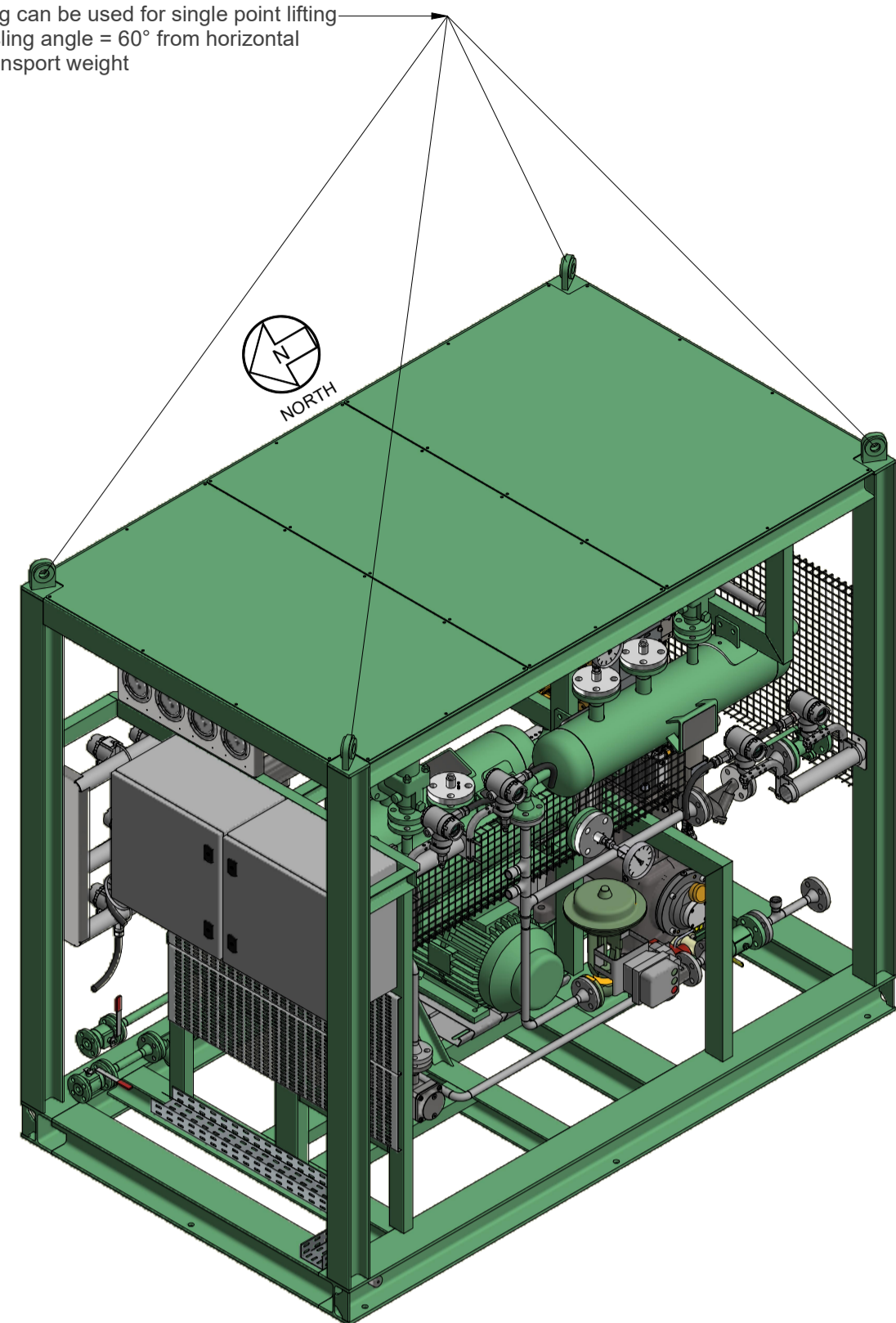
Document No. 17735-04

Project No.	Vendor Doc.	P.O. No.	Department	Document Type	Serial No	Revision	Page
N278	VD	6019	PR	GAD	0003	03	Page 2 of 3

LIST OF REVISED PAGES

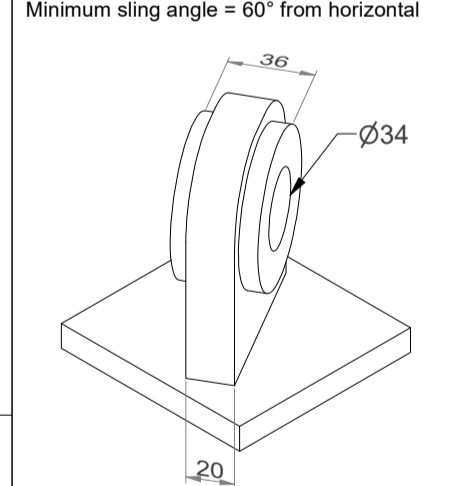
Rev. Page	01	02	03	04	05	Rev. Page	01	02	03	04	05	Rev. Page	01	02	03	04	05	Rev. Page	01	02	03	04	05	
1	X	X	X			26						51						76						
2	X	X	X			27						52						77						
3	X	X	X			28						53						78						
4						29						54						79						
5						30						55						80						
6						31						56						81						
7						32						57						82						
8						33						58						83						
9						34						59						84						
10						35						60						85						
11						36						61						86						
12						37						62						87						
13						38						63						88						
14						39						64						89						
15						40						65						90						
16						41						66						91						
17						42						67						92						
18						43						68						ATTACHMENT						
19						44						69						1						
20						45						70						2						
21						46						71						3						
22						47						72						4						
23						48						73						5						
24						49						74						6						
25						50						75						7						

4x lifting lug can be used for single point lifting
Minimum sling angle = 60° from horizontal
SWL = Transport weight

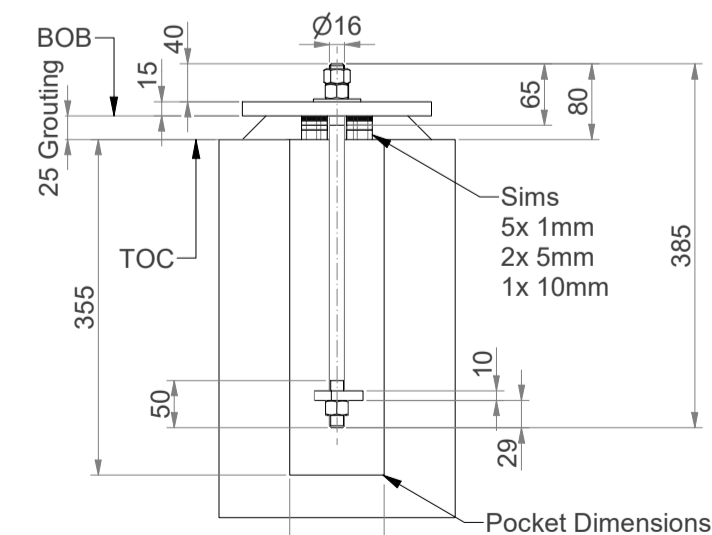
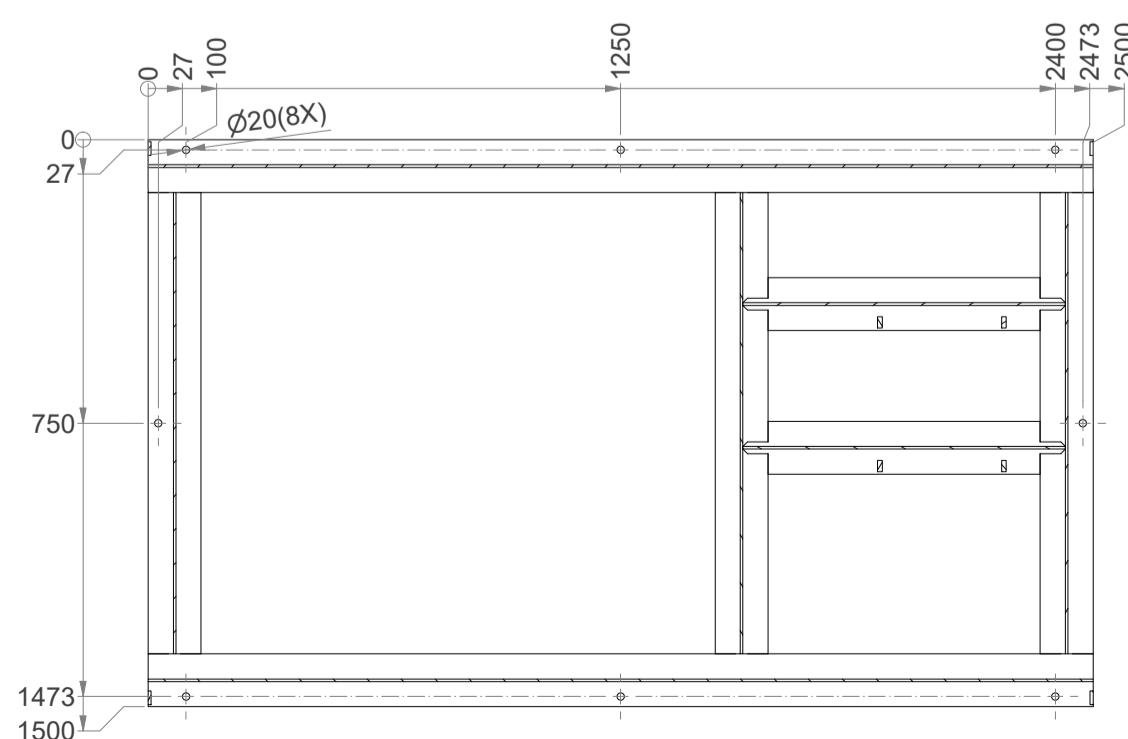


LIFTING LUG DETAIL

4x lifting lug can be used for single point lifting
Minimum sling angle = 60° from horizontal

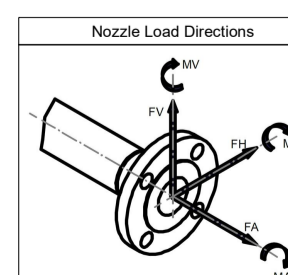


C-C / FOUNDATION LAYOUT



Notes on foundation details:

- 8x T.EN/ISO 8.8 19 MnB4.16.80.305 Anchor bolts acc.: N278-000-ST-JSC-1700-003-REV-03
- Skid will be supported on 25mm thk non-shrink cementitious grout
- No dynamic forces is envisaged on foundation or dynamic forces are negligible
- No filling of concrete inside the skid is required



Tie in Points Max. External Allowable Nozzle Loads from outside Package											
TP	Size	Nozzle Data	FH	FV	FA	MH	MA	MV	Pos. X	Pos. Y	Pos. Z
			(+/-)	(+/-)	(+/-)	(+/-)	(+/-)	(+/-)			
TP-8201	1" 300# RF B16.5	Air Inlet	1	1	1	0.3	1	0.3	2450	300	965
TP-8204	3/4" 300# RF B16.5	Air Outlet	1	1	1	0.3	1	0.3	2450	300	440
TP-8203	1/2" 150# RF B16.5	Cooling water inlet	1	1	1	0.3	1	0.3	50	1250	265
TP-8202	1/2" 150# RF B16.5	Cooling water outlet	1	1	1	0.3	1	0.3	50	1250	465
			(kN)	(kN)	(kN)	(kNm)	(kNm)	(kNm)	(mm)	(mm)	(mm)

REFERENCE DOCUMENTS	
DESCRIPTION	DOCUMENT NUMBER
P&ID	N-278-VD-6019-PR-PID-0003-01
Outline Dimension Drawing for LCP Panel and Junction Box	N-278-VD-6019-DM-DWG-0007-01
Equipment Data Sheet	N-278-VD-6019-MS-DS-0011-01
Inter-Layer Cover Data Sheet	N-278-VD-6019-MS-DS-0012-01
Package Nameplate Drawing	N-278-VD-6019-DM-DWG-0017-01

Main Items			
Nr	Item	Tag nr	Remarks
1	Compressor	K-020	Model REV130
2	Main Motor	K-020	11 kW I&B500
3	Inter Cooler	KE-020-001	
4	Air Filter	KE-020-002	
5	Pulsation Damper 1st	KV-020-001	Suction side
6	Pulsation Damper 1st	KV-020-002	Discharge side
7	Pulsation Damper 2nd	KV-020-003	Suction side
8	Pulsation Damper 2nd	KV-020-004	Discharge side
9	V-Belt Guard		
10	Lube Oil Pump		
11	Filter		
12	Oil sprayer heater	KH-020-001	
13	Fan Motor	KM-020-002	11 kW
14	Local Pushbutton Station	30L P-820	
15	Junction Box	300-05AN-400	
16	Oil level indicator		
17	Pressure Transmitter	PT-8201	
18	Pressure Transmitter	PT-8202	
19	Pressure Transmitter	PT-8203	
20	Pressure Transmitter	PT-8204	
21	Temperature Transmitter	TT-8201	
22	Temperature Transmitter	TT-8202	
23	Temperature Transmitter	TT-8203	
24	Temperature Transmitter	TT-8204	
25	Temperature Transmitter	TT-8205	
26	Temperature Gauge	TG-8206	
27	Temperature Gauge	TG-8207	
28	Temperature Gauge	TG-8210	
29	Temperature Gauge	TG-8208	
30	Temperature Gauge	TG-8209	
31	Temperature Gauge	TG-8206	
32	Pressure Gauge	PG-8201	
33	Pressure Gauge	PG-8202	
34	Pressure Gauge	PG-8203	
35	Pressure Gauge	PG-8204	

CALCULATED WEIGHT DATA (kg)	
Skid dry weight	2700
Skid operational weight	2700
Maintenance weight max.	320 (main e-motor)
Compressor	420
Pulsation Dampers	168
Inter-Layer Cooler	16

Subject		Projection		This drawing is owned by Airpack and shall not be printed or copied in any other way than with Airpack's PERMISSION	
High Pressure Air Compressor		1st Angle		11-4-2024	
Client	Lavan Industry Development Company (LIDCO)	Tolerances acc. to:	ISO-2768-1 (v)	Drawn by:	FVT
Client Ref.	K-020 Integrated Methanol and Ammonia Plant	Date	11-4-2024	Checked by:	SK
Client Doc. No.	N-278-VD-6019-PR-GAD-0003-01	PAID REV. No.:	04	Plant Location	Onshore
Airpack Nederland BV Groeneveld 25 4301 RN Zevenaar The Netherlands Telephone (011) 111 415455 E-mail: airpack@airpack.nl URL: http://www.airpack.nl		Scale		Airpack Ref.	17735-COM
		Drawing No.		17735-04	Sheet 1 of 1