



LIDCO, Pars SEE Zone, Assaluyeh,
Integrated Methanol and Ammonia
Plant 3000 MTPD MeOH / 900 MTPD NH3 PROJECT



General Arrangement Drawing (incl foundation load details)

Document No. 17735-04

Project No.	Vendor Doc.	P.O. No.	Department	Document Type	Serial No	Revision	Page
N278	VD	6019	PR	GAD	0003	05	Page 1 of 3

**Airpack B.V. - Air Compressor –
Integrated Methanol and Ammonia Plant
17735-COM General Arrangement Drawing (incl foundation load
details) (K020)**

05	28-08-2024	Issued for Approval	F.T.	S.K.	J.J.
04	31-07-2024	Issued for Approval	F.T.	S.K.	J.J.
03	21-06-2024	Issued for Approval	F.T.	S.K.	J.J.
02	17-04-2024	Issued for Approval	F.T.	S.K.	J.J.
01	02-01-2024	Issued for Approval	F.T.	S.K.	J.J.
REV.	DATE	DESCRIPTION	DRAWN	CHECKED	APPROVED

This document has been produced by Contractor for LIDCO. It is confidential and cannot be disclosed to or used by any third party for any purpose without prior written consent.

General Arrangement Drawing (incl foundation load details)

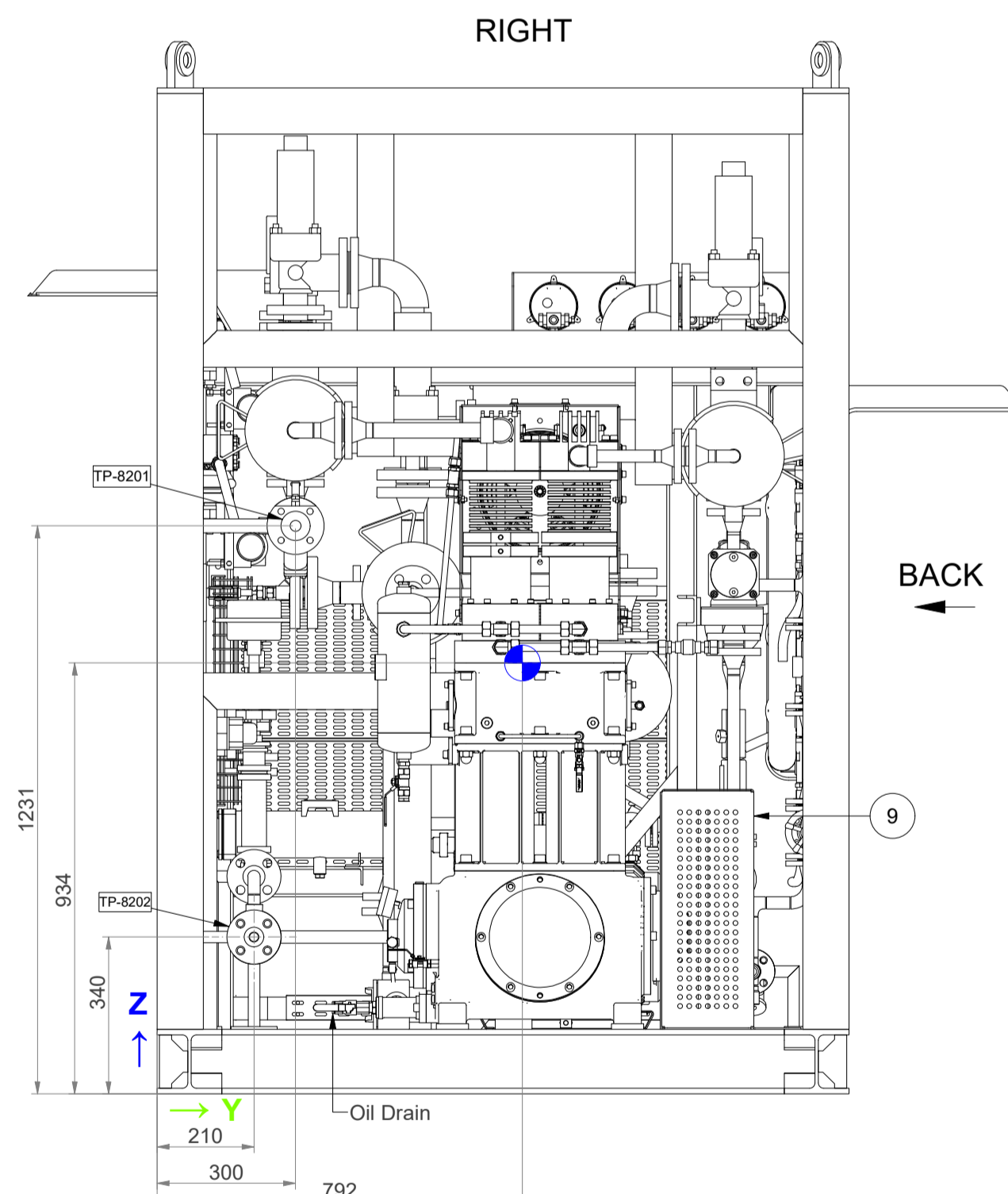
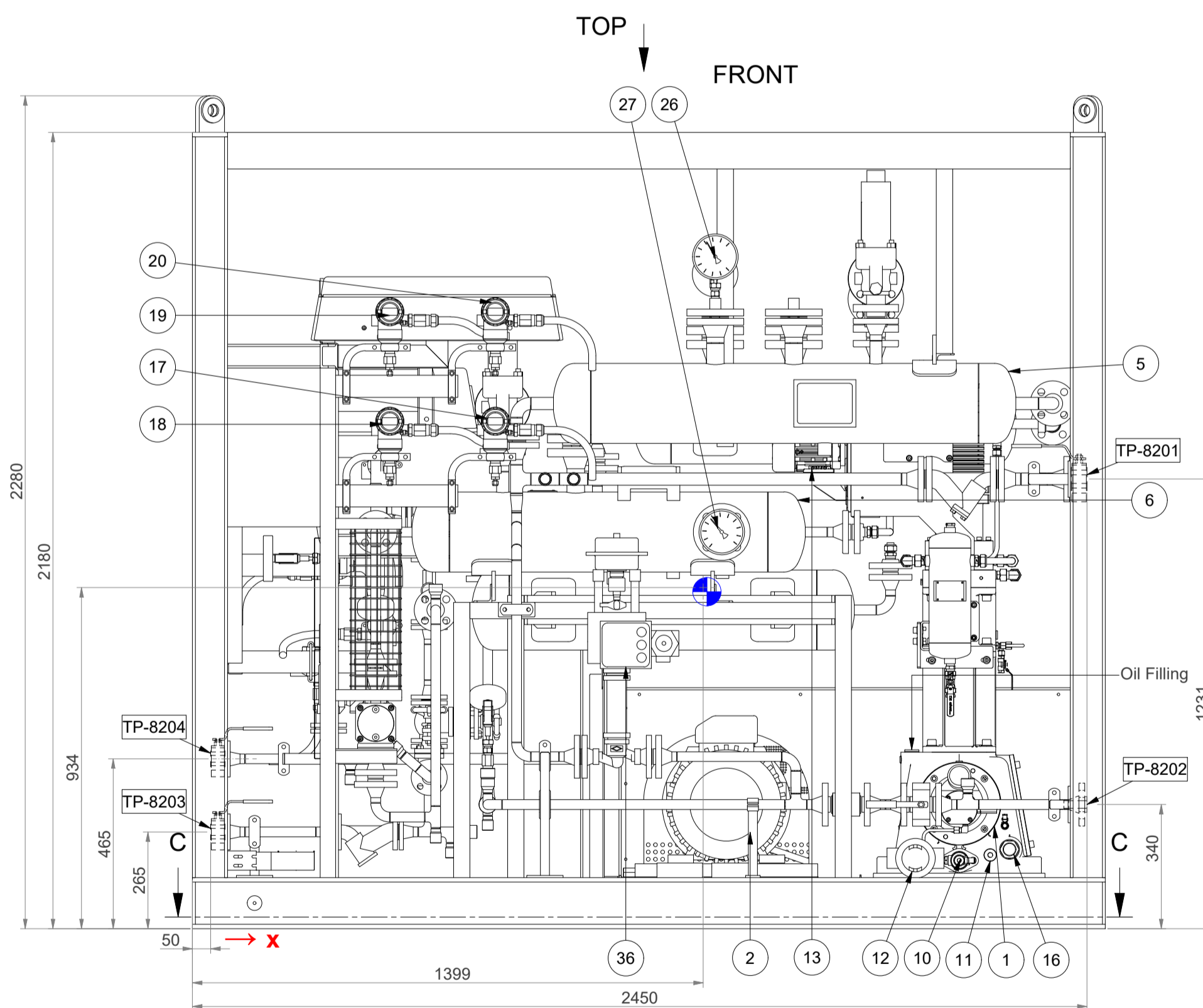
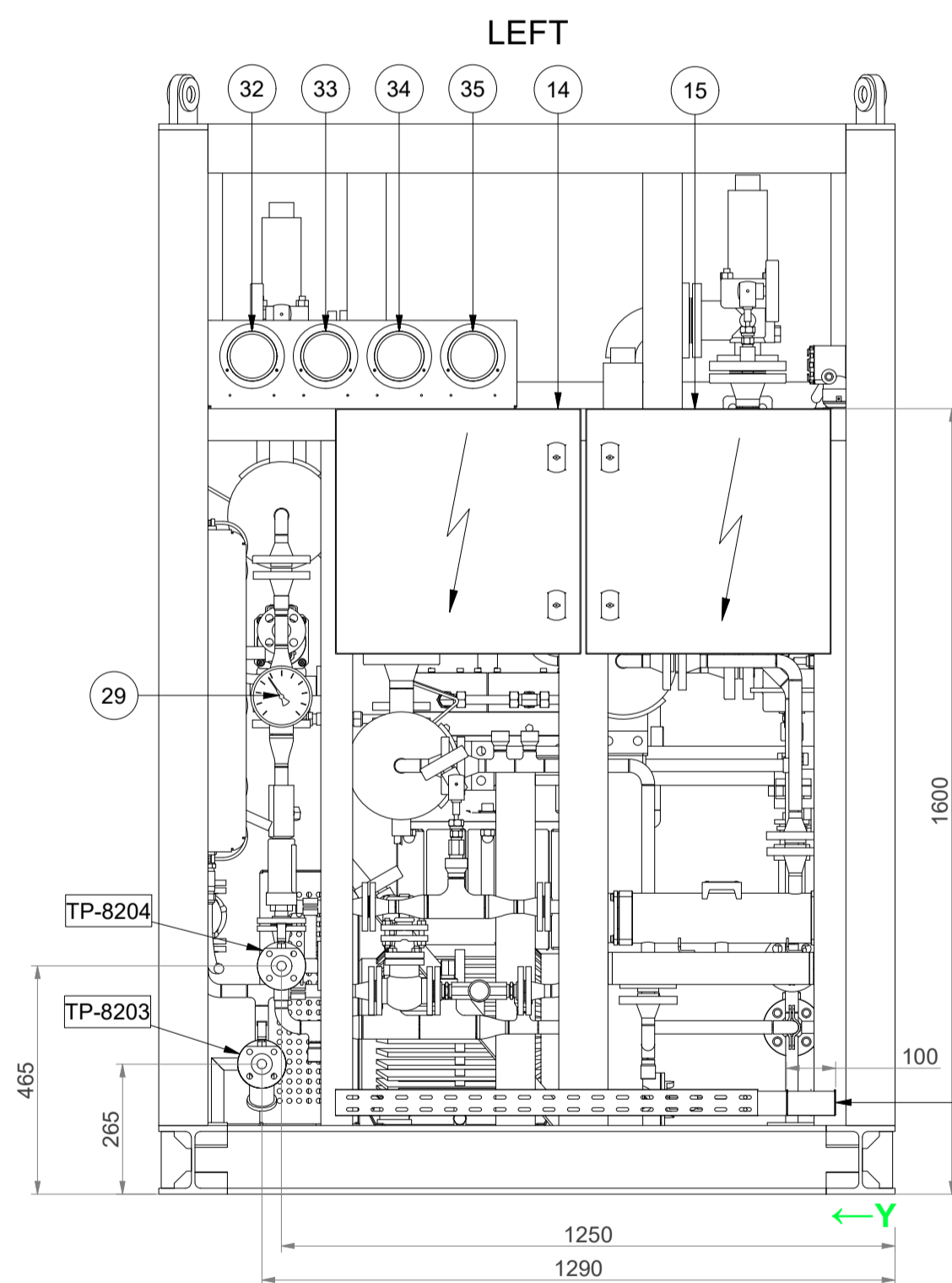
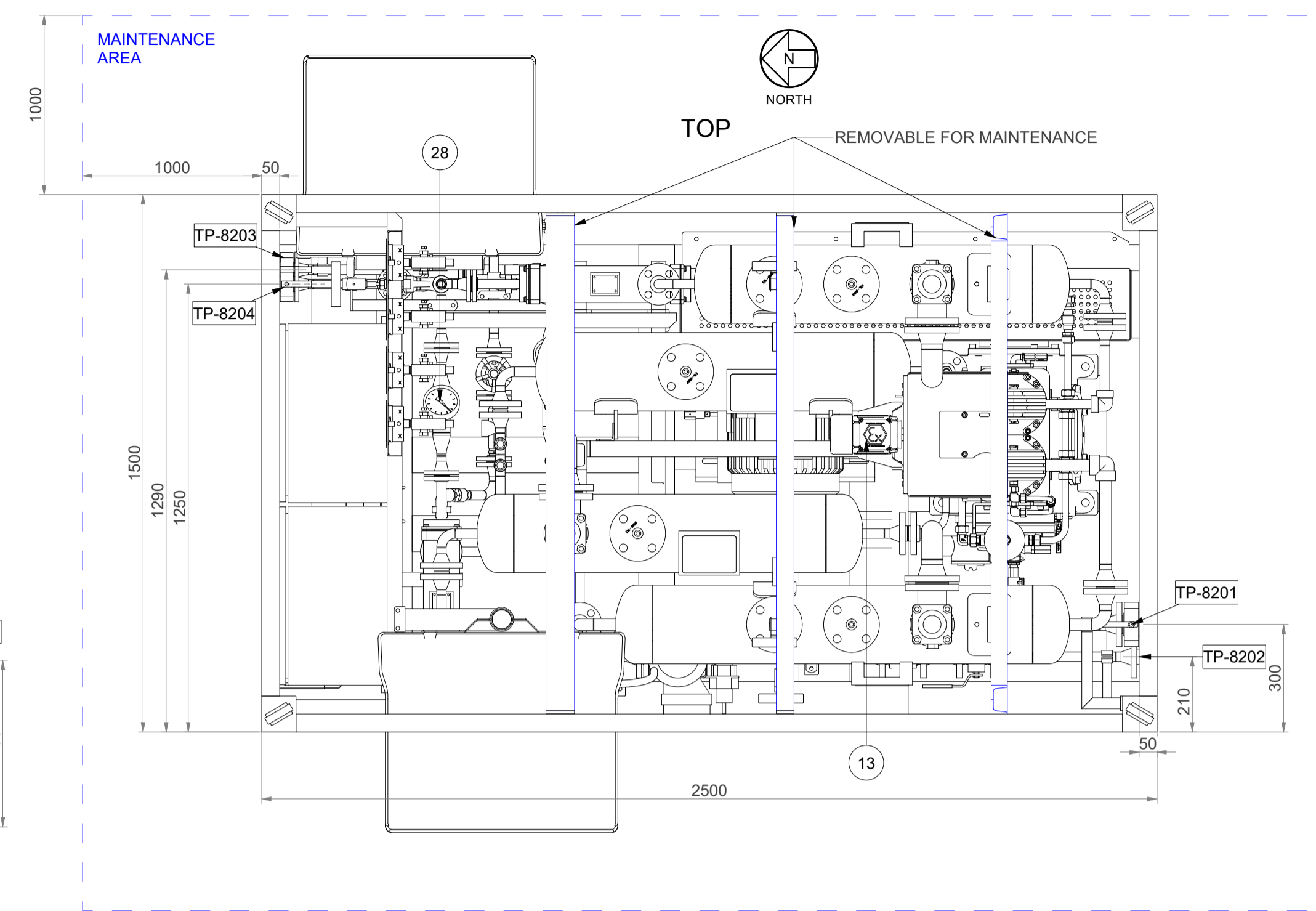
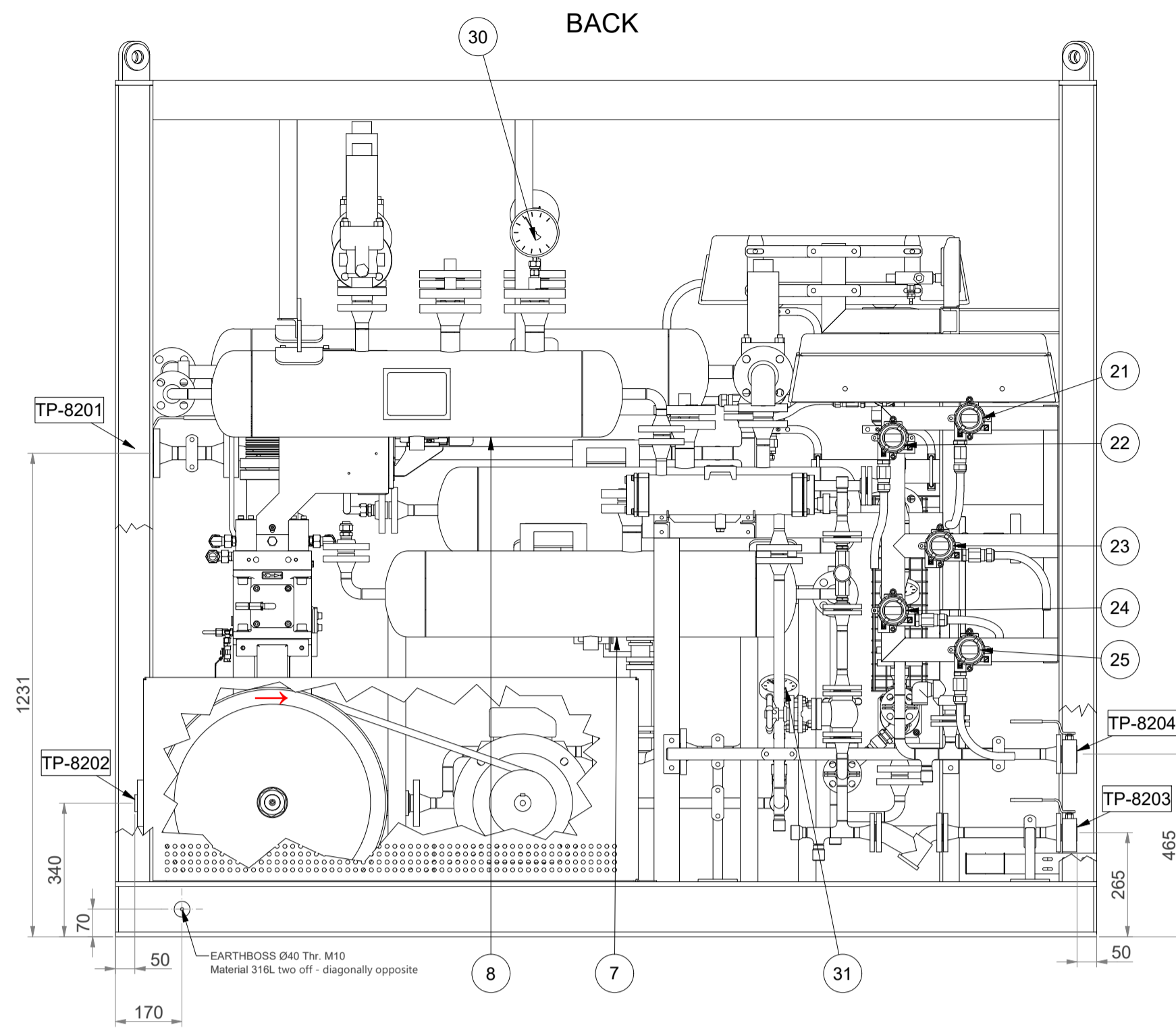
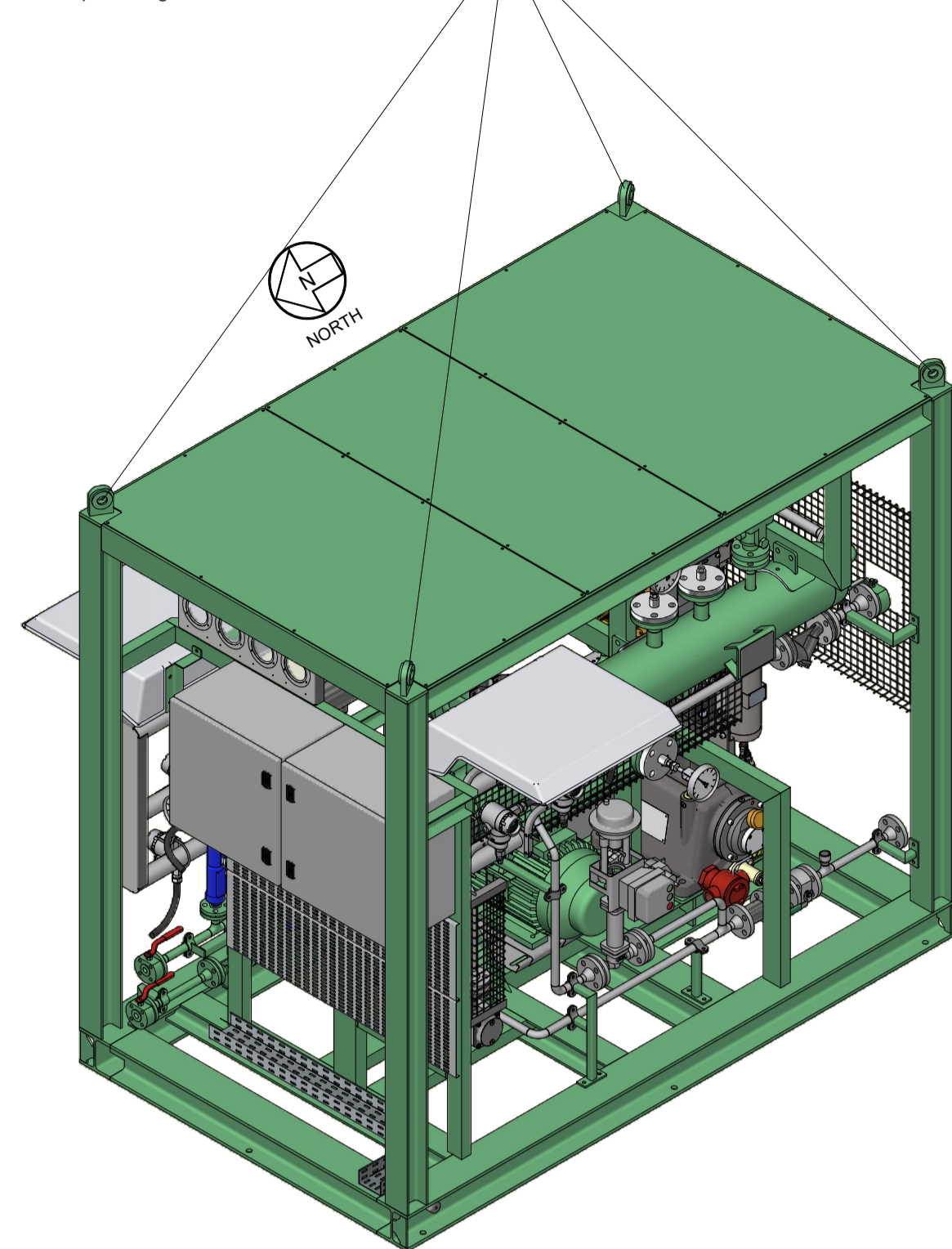
Document No. 17735-04

Project No.	Vendor Doc.	P.O. No.	Department	Document Type	Serial No	Revision	Page
N278	VD	6019	PR	GAD	0003	05	Page 2 of 3

LIST OF REVISED PAGES

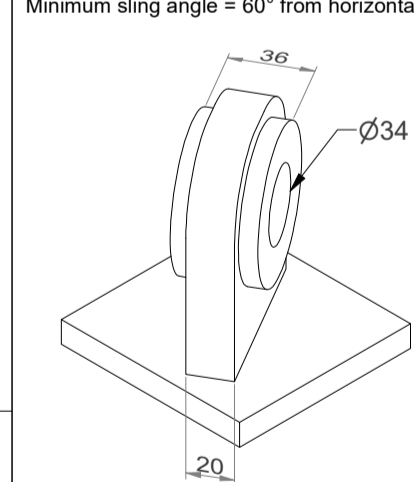
Rev. Page	01	02	03	04	05	Rev. Page	01	02	03	04	05	Rev. Page	01	02	03	04	05	Rev. Page	01	02	03	04	05
1	X	X	X	X	X	26						51						76					
2	X	X	X	X	X	27						52						77					
3	X	X	X	X	X	28						53						78					
4						29						54						79					
5						30						55						80					
6						31						56						81					
7						32						57						82					
8						33						58						83					
9						34						59						84					
10						35						60						85					
11						36						61						86					
12						37						62						87					
13						38						63						88					
14						39						64						89					
15						40						65						90					
16						41						66						91					
17						42						67						92					
18						43						68						ATTACHMENT					
19						44						69						1					
20						45						70						2					
21						46						71						3					
22						47						72						4					
23						48						73						5					
24						49						74						6					
25						50						75						7					

4x lifting lug can be used for single point lifting
Minimum sling angle = 60° from horizontal
SWL = Transport weight

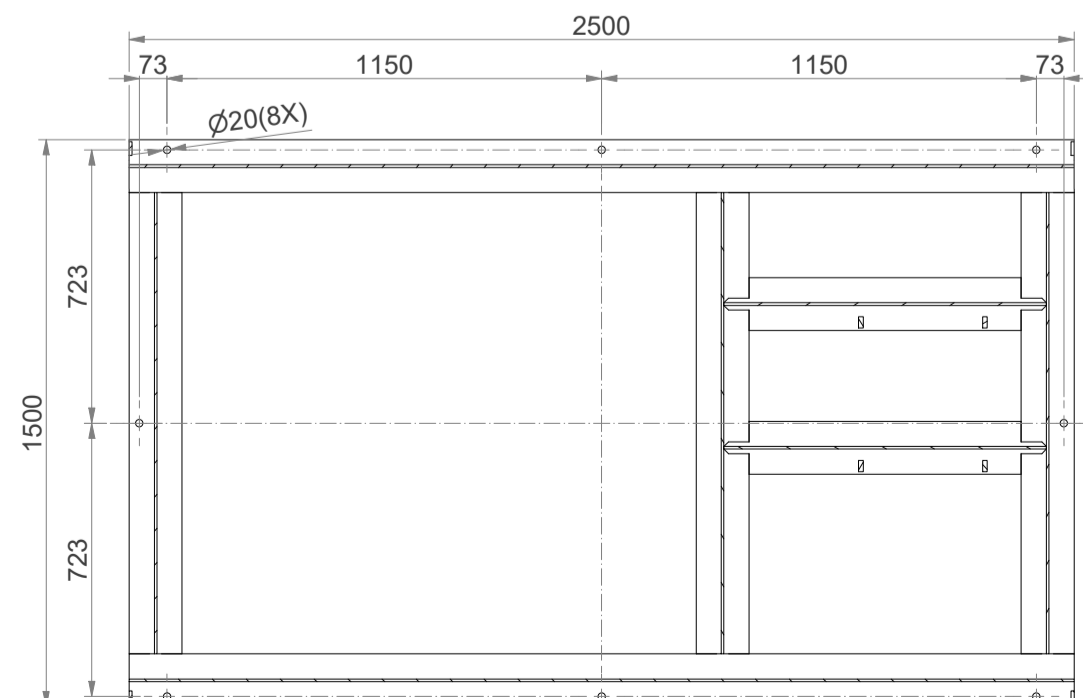


LIFTING LUG DETAIL

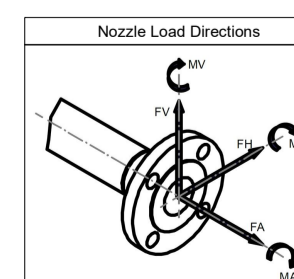
4x lifting lug can be used for single point lifting
Minimum sling angle = 60° from horizontal



C-C / FOUNDATION LAYOUT



- Notes on foundation details:
- 8x T.EN/ISO 8.8 19 MnB4.16.80.305 Anchor bolts acc.: N278-000-ST-JSC-1700-003-REV-03
 - Skid will be supported on 25mm thk non-shrink cementitious grout
 - No dynamic forces is envisaged on foundation or dynamic forces are negligible
 - No filling of concrete inside the skid is required



Tie in Points Max. External Allowable Nozzle Loads from outside Package											
TP	Size	Nozzle Data	FH (+/-)	FV (+/-)	FA (+/-)	MH (+/-)	MA (+/-)	MV (+/-)	Pos. X (mm)	Pos. Y (mm)	Pos. Z (mm)
TP-8201	1" 300# RF B16.5	Air Inlet	1	1	1	0.3	1	0.3	2450	300	1231
TP-8202	3/4" 300# RF B16.5	Air Outlet	1	1	1	0.3	1	0.3	2450	210	340
TP-8203	1/2" 150# RF B16.5	Cooling water inlet	1	1	1	0.3	1	0.3	50	1290	265
TP-8204	3/4" 150# RF B16.5	Cooling water outlet	1	1	1	0.3	1	0.3	50	1250	465

REFERENCE DOCUMENTS		DESCRIPTION	DOCUMENT NUMBER
PAID		Outline Dimensional Drawings for LCP Panel and Junction Box	N-278-VD-6019-PR-0002-01
Equipment Data Sheet		After Cooler Data Sheet	N-278-VD-6019-AME-038-001-1-01
Material		Material	N-278-VD-6019-AME-038-001-2-01
Material		Material	N-278-VD-6019-AME-038-001-3-01
Material		Material	N-278-VD-6019-AME-038-001-4-01
Material		Material	N-278-VD-6019-AME-038-001-5-01
Material		Material	N-278-VD-6019-AME-038-001-6-01
Material		Material	N-278-VD-6019-AME-038-001-7-01
Material		Material	N-278-VD-6019-AME-038-001-8-01
Material		Material	N-278-VD-6019-AME-038-001-9-01
Material		Material	N-278-VD-6019-AME-038-001-10-01
Material		Material	N-278-VD-6019-AME-038-001-11-01
Material		Material	N-278-VD-6019-AME-038-001-12-01
Material		Material	N-278-VD-6019-AME-038-001-13-01
Material		Material	N-278-VD-6019-AME-038-001-14-01
Material		Material	N-278-VD-6019-AME-038-001-15-01
Material		Material	N-278-VD-6019-AME-038-001-16-01
Material		Material	N-278-VD-6019-AME-038-001-17-01
Material		Material	N-278-VD-6019-AME-038-001-18-01
Material		Material	N-278-VD-6019-AME-038-001-19-01
Material		Material	N-278-VD-6019-AME-038-001-20-01
Material		Material	N-278-VD-6019-AME-038-001-21-01
Material		Material	N-278-VD-6019-AME-038-001-22-01
Material		Material	N-278-VD-6019-AME-038-001-23-01
Material		Material	N-278-VD-6019-AME-038-001-24-01
Material		Material	N-278-VD-6019-AME-038-001-25-01
Material		Material	N-278-VD-6019-AME-038-001-26-01
Material		Material	N-278-VD-6019-AME-038-001-27-01
Material		Material	N-278-VD-6019-AME-038-001-28-01
Material		Material	N-278-VD-6019-AME-038-001-29-01
Material		Material	N-278-VD-6019-AME-038-001-30-01
Material		Material	N-278-VD-6019-AME-038-001-31-01
Material		Material	N-278-VD-6019-AME-038-001-32-01
Material		Material	N-278-VD-6019-AME-038-001-33-01
Material		Material	N-278-VD-6019-AME-038-001-34-01
Material		Material	N-278-VD-6019-AME-038-001-35-01
Material		Material	N-278-VD-6019-AME-038-001-36-01

CALCULATED WEIGHT DATA (kg)	
Skid dry weight	2790
Skid operational weight	2790
Maintenance weight max.	320 (main e-motor)
Compressor	420
Pulsation Dampers	18
After Cooler	15

Subject		Projection	
Client	Lavan Industry Development Company (LIDCO)	Projection	1st Angle
Client Ref.	K-020 Integrated Methanol and Ammonia Plant	Scale	1:1
Client Doc. No.	N-278-VD-6019-PR-GAD-0003-01	Scale	1:1

MODIFICATIONS			
REV.	DATE	DRAWN	ACC.
4	28-08-2024	FVT	SK
3	31-7-2024	FVT	SK
2	20-5-24	FVT	SK
1	11-4-2024	FVT	SK
0	28-12-2023	FVT	SK

Airpack Nederland BV	
Address	Groneveenge 25 4302 RN Zevenaar The Netherlands
Telephone	(0) 11 415455
E-mail	airpack@airpack.nl
URL	http://www.airpack.nl

Airpack Ref.	
Scale	17735-COM
Drawing No.	17735-04 GAD