








OWNER 	BUSHEHR PETROCHEMICAL COMPANY MEG PLANT							EPC CONTRACTOR:  Chagalesh-Enerchimi-Steam Joint Venture BUPC-MEG PLANT PROJECT	
	Compressor motor outline drawing & terminal box wiring drawing for reciprocating compressor								
MC :   شرکت سفت و سوی توسعه ایرانیان	Project	Area	Phase	Unit	Dis.	Doc.	Seq.	Contract No : 52-98/445	
Owner Document Number: 17811-39	BU	20	VD	303	EL	DWG	0053	Rev.:	Page
								00	1 of 3




Compressor tag number must be added.

This document is checked only for compressor 7080. New document should be generated for compressor 1002.

Compressor motor outline drawing & terminal box wiring drawing for reciprocating compressor

 		BUSHEHR PETROCHEMICAL COMPANY MEG PLANT	
Document Review			
Issue Purpose:	FA		
Result Code: AP,AN,CM,RE,NC	CM		
Next Status : IFC,IFA,IFI,AFC,AB	IFA		
Responsible Department	MECHANICAL		
Commented Date	May.05.2021		
Approval or review hereunder shall not be construed to relieve Vendor / Subcontractor of his responsibilities and liability under the contract.			

00	08/12/2020	For approval	KP	KP	PW	
Rev.	Date	Purpose of Issue	Prepared	Checked	Approved	AC Code
					Class: 1	Phase: p

OWNER  شرکت پتروشیمی بوته‌ر	BUSHEHR PETROCHEMICAL COMPANY MEG PLANT						EPC CONTRACTOR: 		
	Compressor motor outline drawing & terminal box wiring drawing for reciprocating compressor								
MC :  شرکت سفت و سوی توسعه ایرانیان	Project	Area	Phase	Unit	Dis.	Doc.	Seq.	Contract No : 52-98/445	
Owner Document Number: 17811-39	BU	20	VD	303	EL	DWG	0053	Rev.:	Page
								00	2 of 3

TABULATION OF REVISED PAGES

Page	D00	D01	D02	D03	D04
1.	X				
2.	X				
3.	X				
4.					
5.					
6.					
7.					
8.					
9.					
10.					
11.					
12.					
13.					
14.					
15.					
16.					
17.					
18.					
19.					
20.					
21.					
22.					
23.					
24.					
25.					
26.					
27.					
28.					
29.					
30.					
31.					
32.					
33.					
34.					

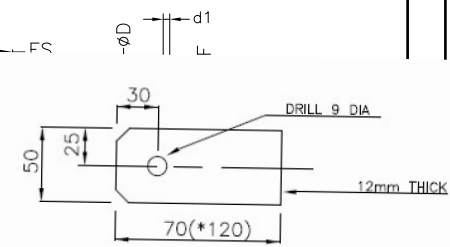
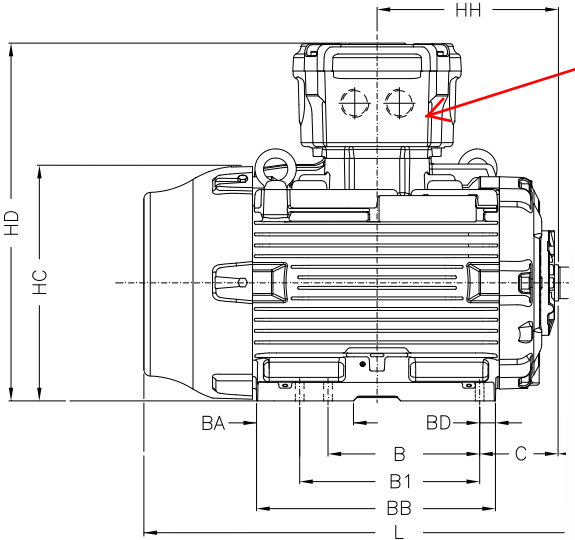
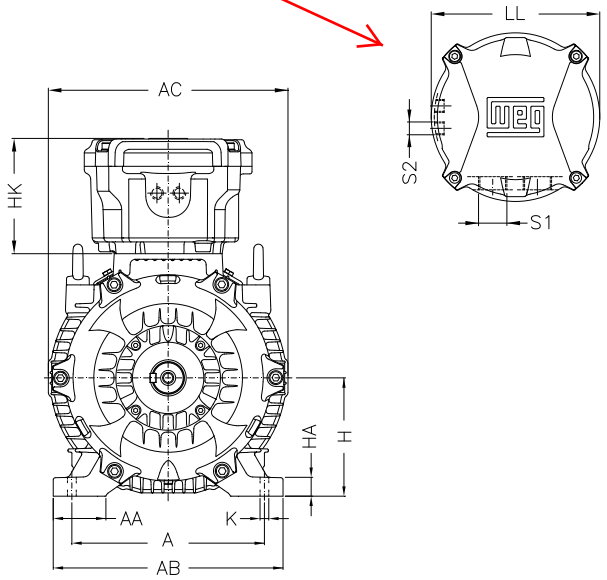
Page	D00	D01	D02	D03	D04
35.					
36.					
37.					
38.					
39.					
40.					
41.					
42.					
43.					
44.					
45.					
46.					
47.					
48.					
49.					
50.					
51.					
52.					
53.					
54.					
55.					
56.					
57.					
58.					
59.					
60.					
61.					
62.					
63.					
64.					
65.					
66.					
67.					
68.					

EL.06: Cable ad Gland size is attached.

EL04: Terminal box inside arrangement drawing shall be submitted.

EL01: Motor finish color shall be submitted.

EL02: Hole and cable gland size shall be submitted.



* ON EQUIPMENT WITH FIRE PROOFING/INSULATION

DETAIL "A"

EL03: Earth stud details shall be matched with attached DETAIL "A".

Notes:

Performed by:

Checked:

Customer:

EL07: The unit of dimension of each part shall be mentioned as a note.

A	AA	AB	AC	AD'
254	64	308	347	349.5
K	HA	H	HB	HF
14.5	22	160	61.5	169.5
LM	S1	HC	HD	B
256	2xM40x1.5	326	509.5	210
BA	BB	L	C	E
150	353	717	108	110
ES	HH	T	G	GD
80	258.5	74.0	37	8
F	D	d1		
12	42k6	DM16		

Premium Efficiency - IE3 (Ex db / IIB T4 Gb)

Three-phase induct

Frame 160M/L - IP

EL05: Exd

09-NOV-2020