









OWNER:  شرکت سست و سویی تومعه ایرانشان (سایه و شیشه)	BUSHEHR PETROCHEMICAL COMPANY MEG PLANT						EPC CONTRACTOR:  Chagalesh-Enerchimi-Steam Joint Venture BUPC-MEG PLANT PROJECT		
	GENERAL ARRANGEMENT DRAWING FOR NITROGEN GAS BOOSTER								
MC :									
Owner Document Number: 17811-04A	Project	Area	Phase	Unit	Dis.	Doc.	Seq.	Rev.:	Page
	BU	20	VD	303	ME	DWG	0023	03	1 of 3

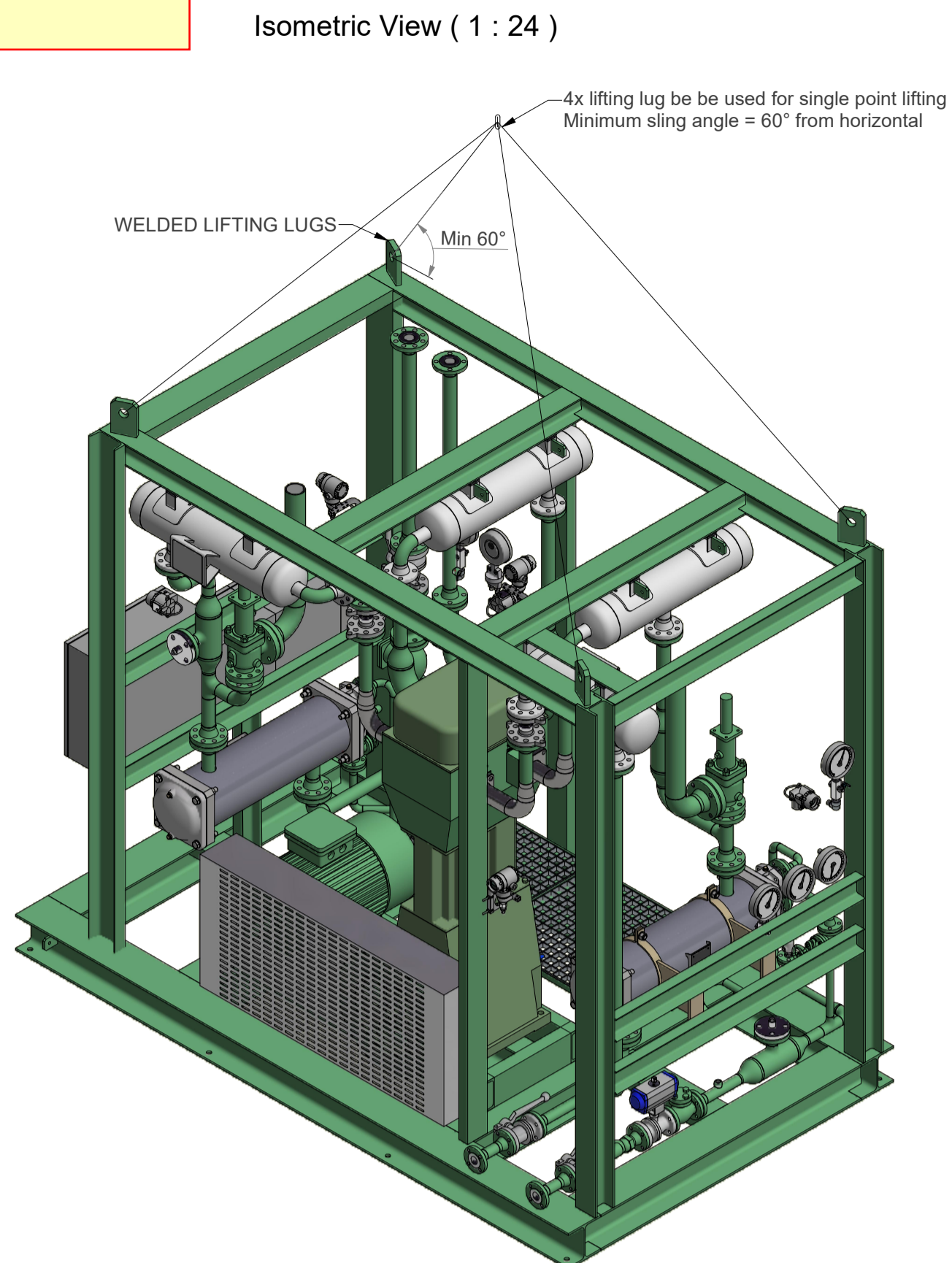
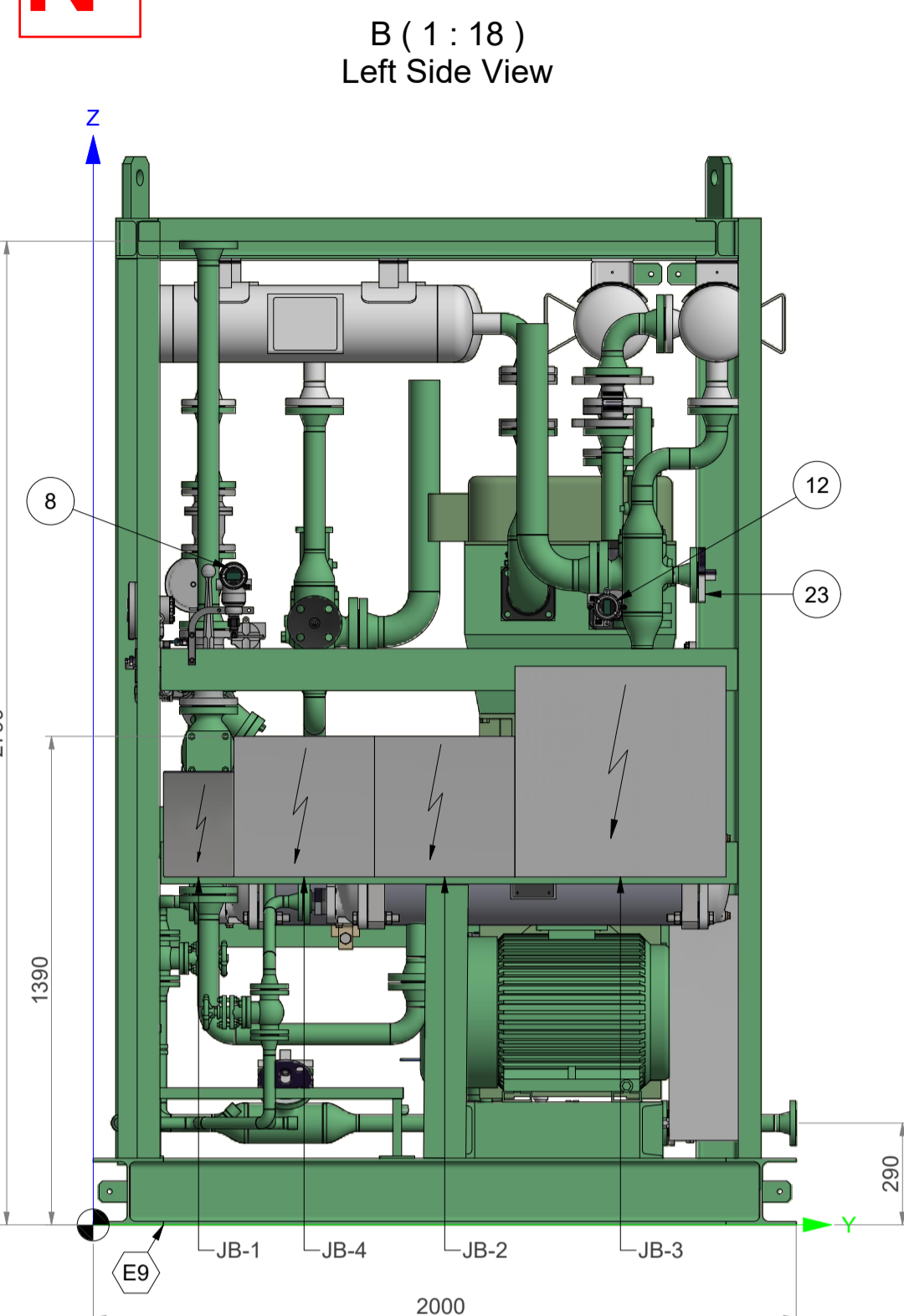
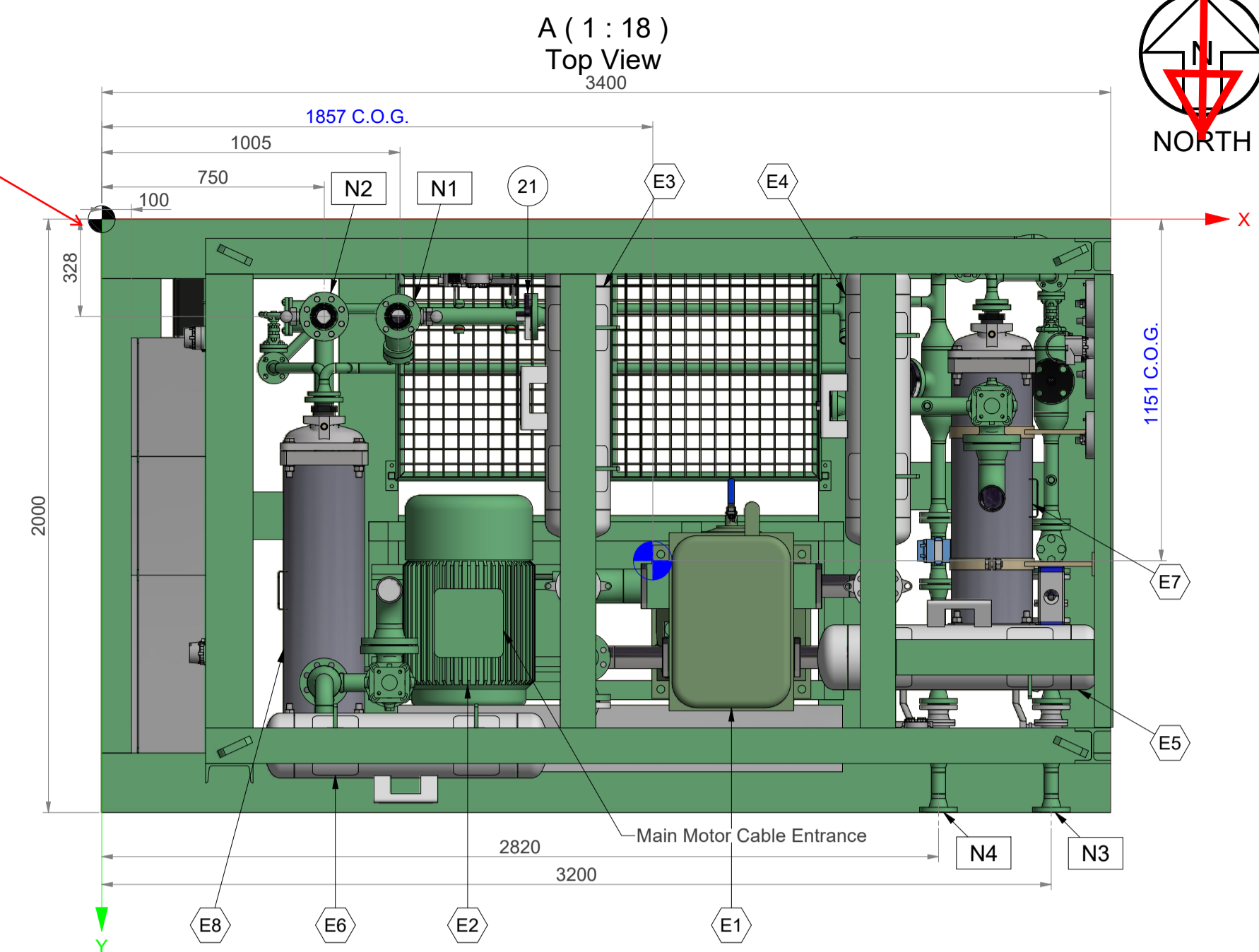
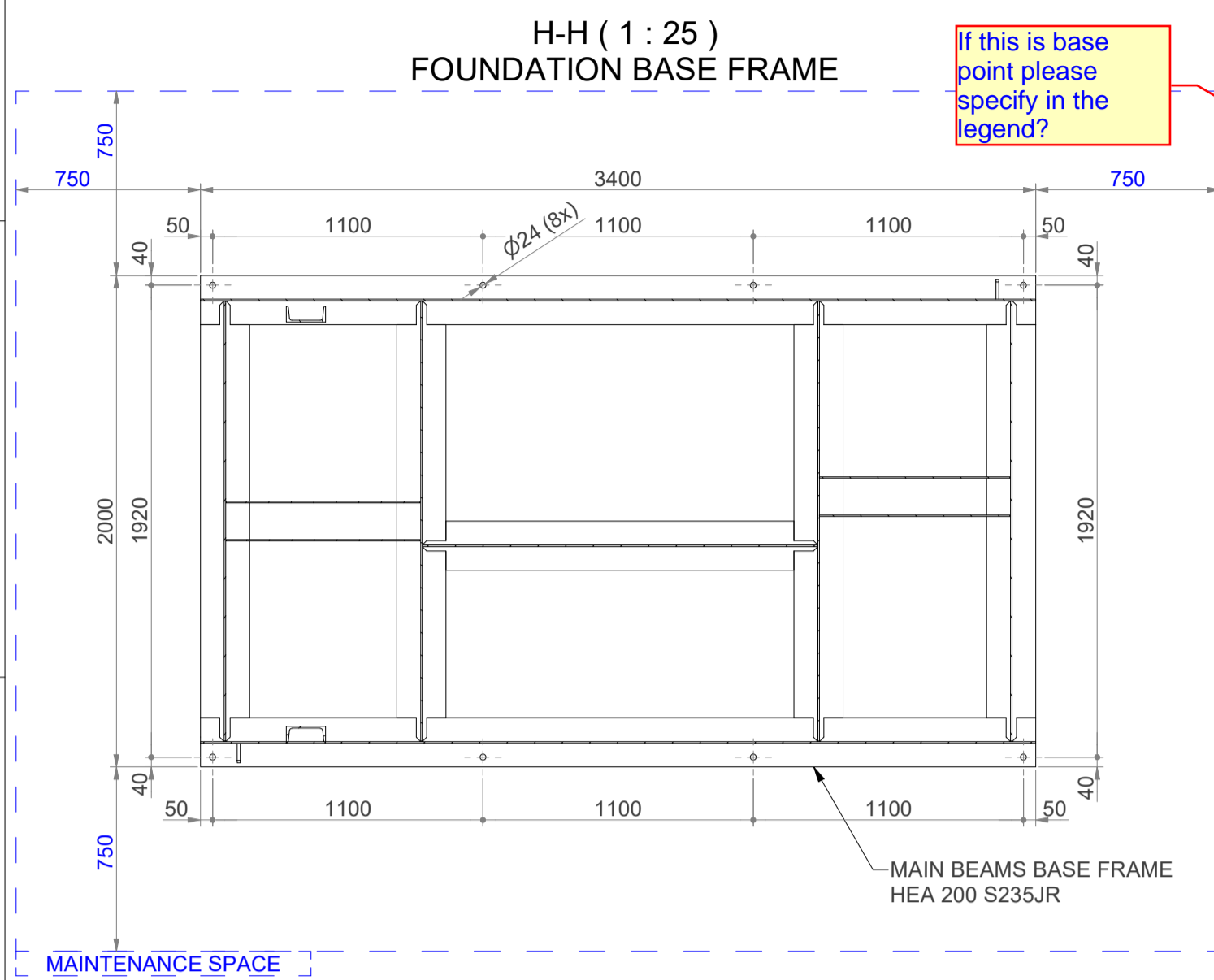
All changes shall be shown with revision mark and clouds.

GENERAL ARRANGEMENT DRAWING FOR NITROGEN GAS BOOSTER

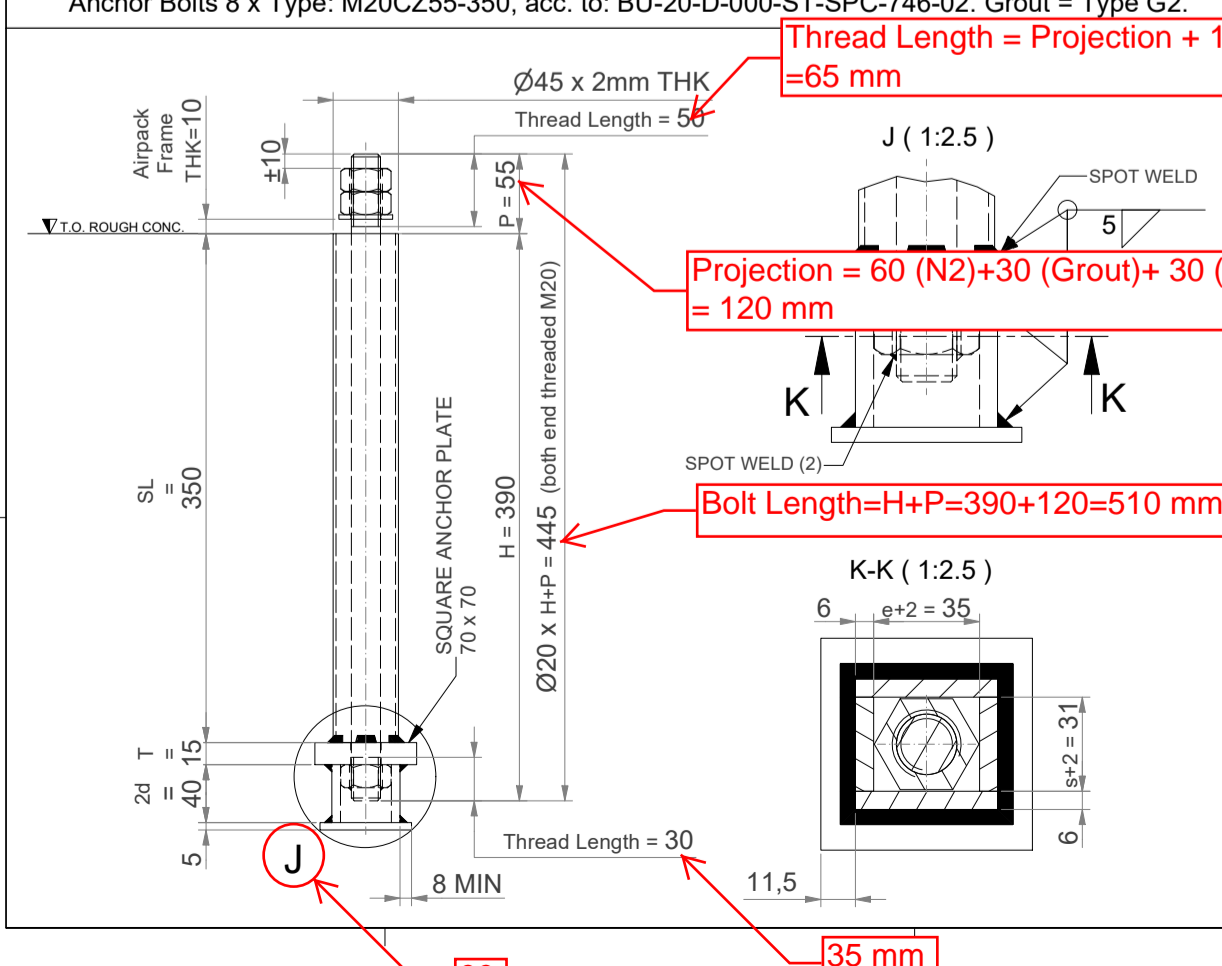
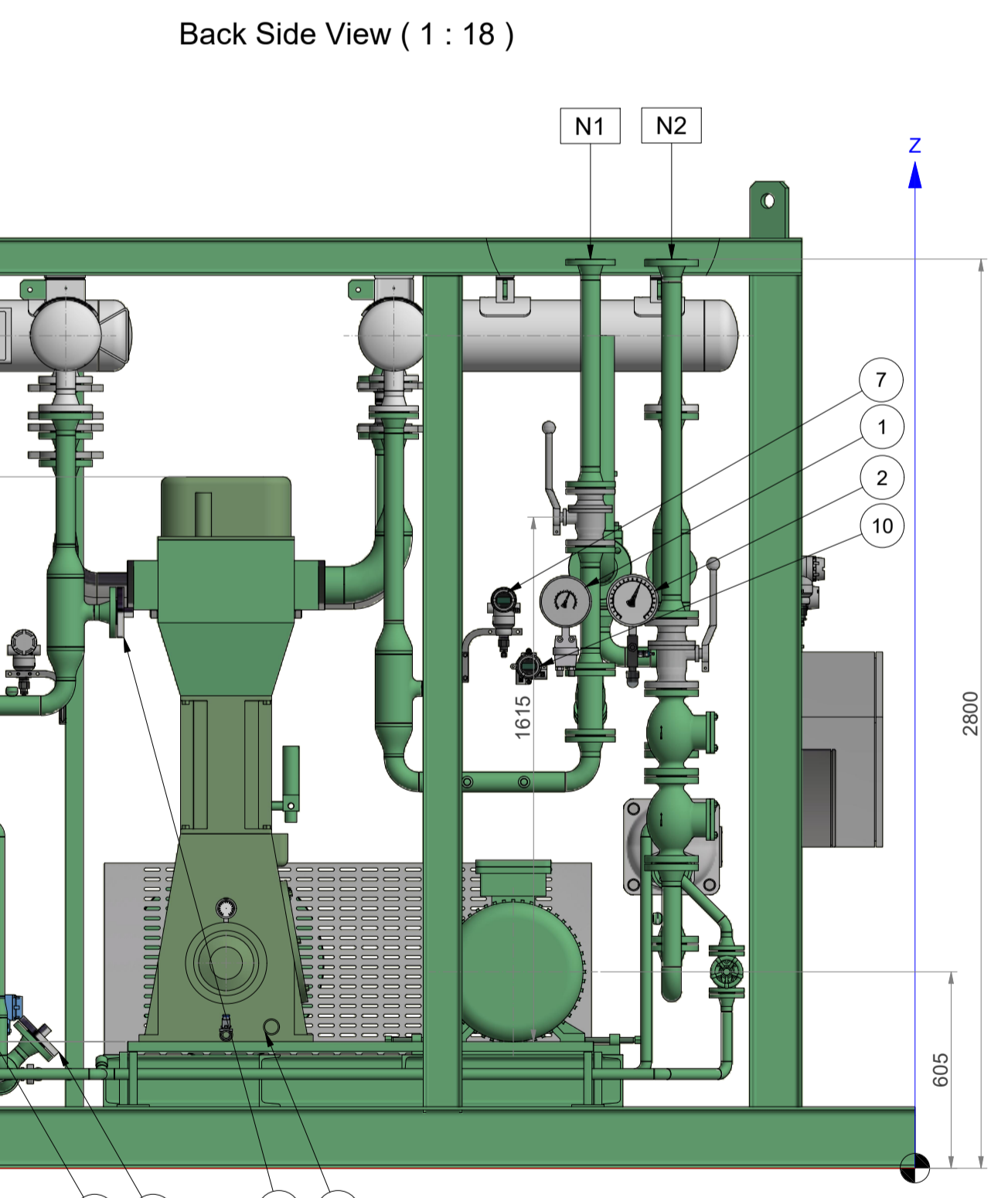
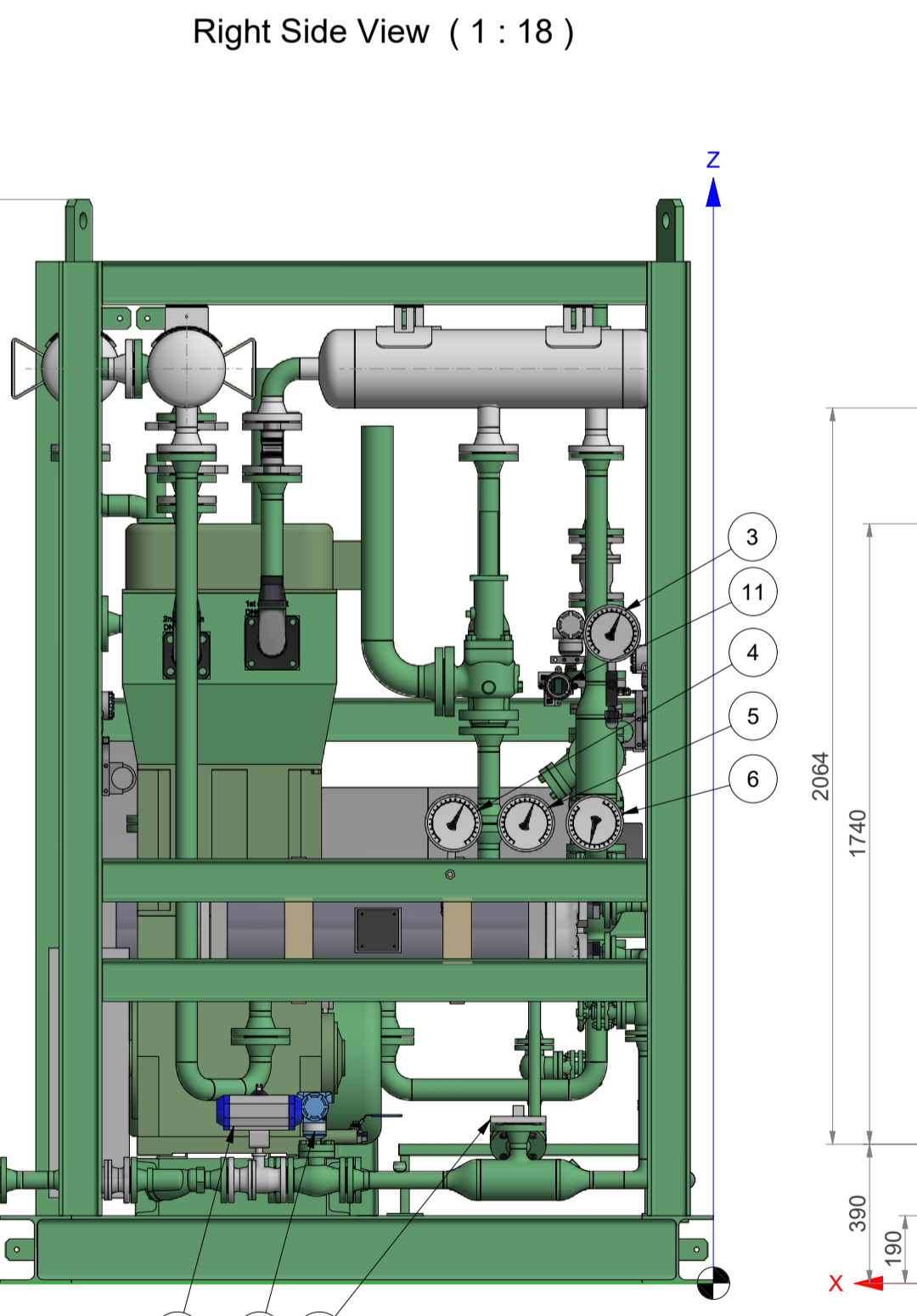
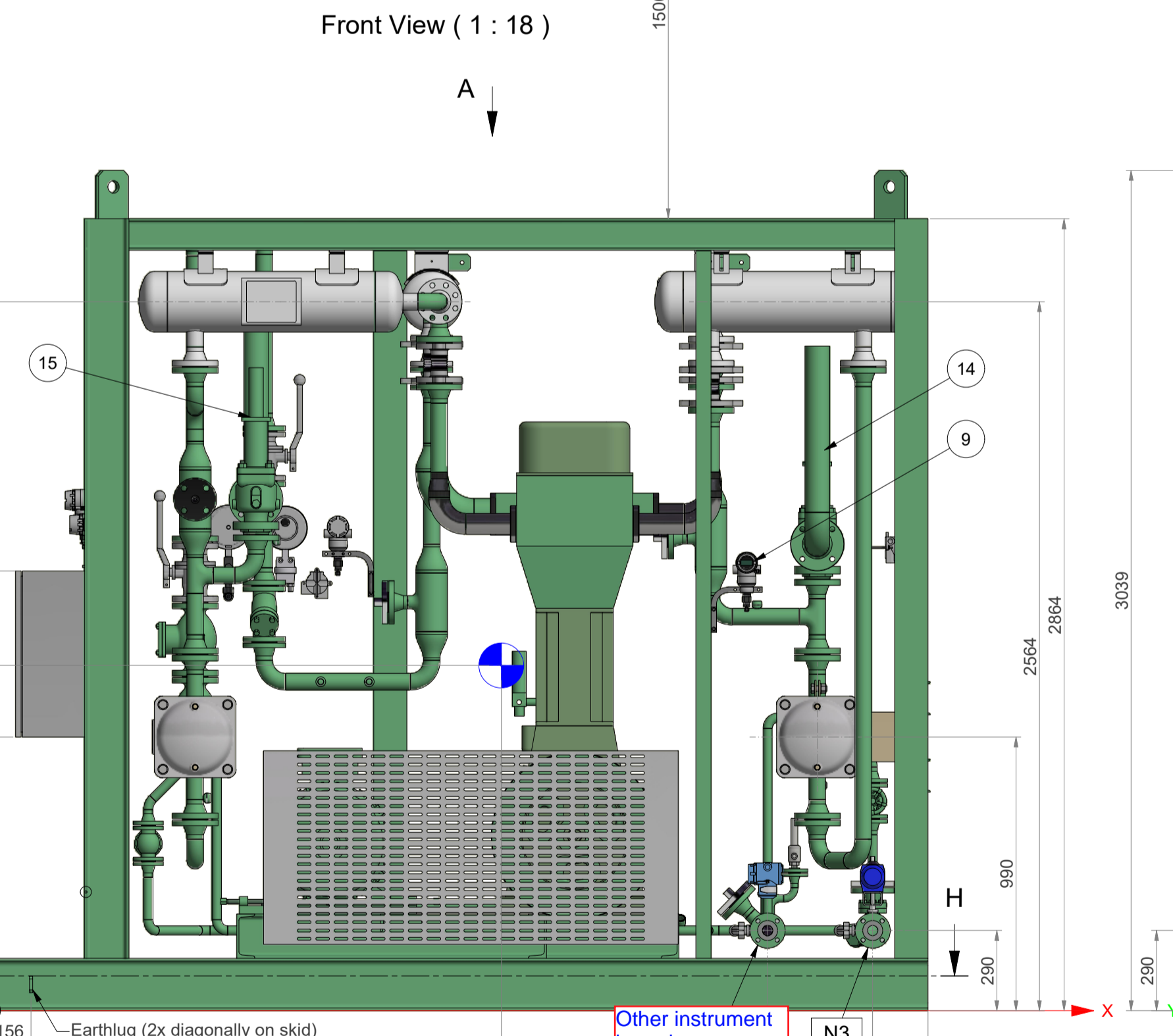
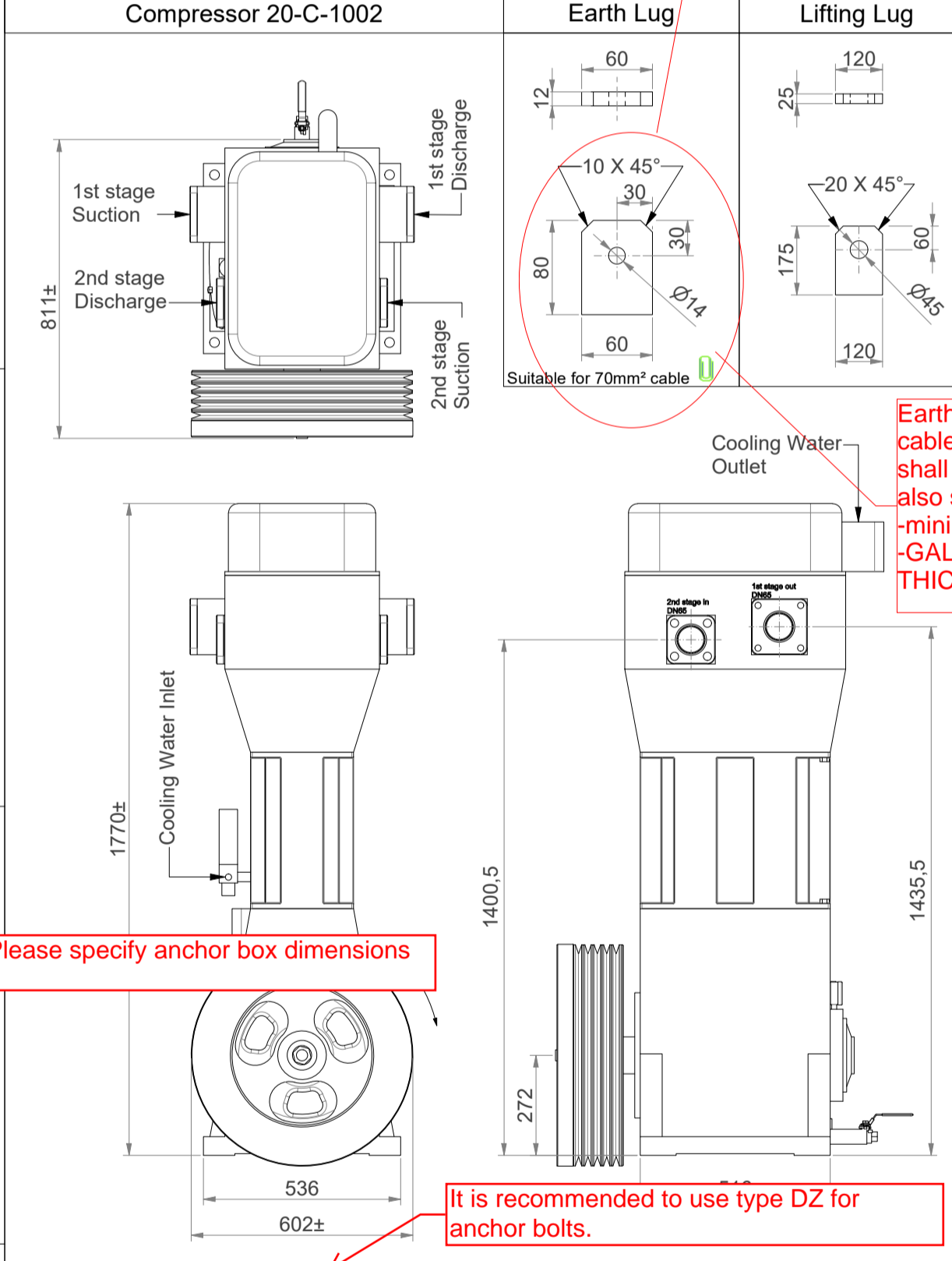
 شرکت سست و سویی تومعه ایرانشان  شرکت سست و سویی تومعه ایرانشان	 Chagalesh-Enerchimi-Steam Joint Venture BUPC-MEG PLANT PROJECT	BUSHEHR PETROCHEMICAL COMPANY MEG PLANT
Document Review		
Issue Purpose:	IFA	
Result Code: AP,AN,CM,RE,NC	CM	
Next Status : IFC,IFA,IFI,AFC,AB	IFA	
Responsible Department	MECHANICAL	
Commented Date	Sep.20,2021	
Approval or review hereunder shall not be construed to relieve Vendor / Subcontractor of his responsibilities and liability under the contract.		

01	15/09/2021	For approval	AV	KP	PW	
00	30/10/2020	For approval	AV	KP	PW	
Rev.	Date	Purpose of Issue	Prepared	Checked	Approved	AC Code
					Class: 1	Phase: P

Reply sheet shall be submitted by vendor.
 Prerequisite document such as wiring diagram and instrument index to be issued before this document.
 Coordinate of instruments location (X,Y,Z) regarding to base point shall be specified.
 Cable tray routing shall be specified.
 Cable tray cross section shall be specified.



DETAILS



Identification nr.	DEVICE	Tag Nr. Instrument Air Comp.	Identification nr.	DEVICE	Tag Nr. Instrument Air Comp.
1	Diff. Pressure Gauge	PDG-10001	14	Pressure Safety Valve	PSV-10001
2	Pressure Gauge	PG-10002	15	Pressure Safety Valve	PSV-10002
3	Pressure Gauge	PG-10005	16	Pressure Safety Valve	PSV-10003
4	Pressure Gauge	PG-10006	17	Solenoid	XY-10001
5	Temperature Gauge	TG-10004	18	Solenoid	XY-10002
6	Temperature Gauge	TG-10005	19	Flow Transmitter	FT-10001
7	Pressure Transmitter	PIT-10003	20	Vibration Transmitter	VT-10001
8	Pressure Transmitter	PIT-10007	21	Thermowell	TW-10001
9	Pressure Transmitter	PIT-10004	22	Thermowell	TW-10002
10	Temperature Transmitter	TIT-10001	23	Thermowell	TW-10003
11	Temperature Transmitter	TIT-10002	24	Thermowell	TW-10004
12	Temperature Transmitter	TIT-10003	25	Thermowell	TW-10005
13	Level Gauge	LG-10001	26		

JUNCTION BOX DATA			
Nr.	Description	X	Y
JB1	JB Solenoid Valves	100	300
JB2	JB Analog	100	1000
JB3	Local Control Panel	100	1500
JB4	Power Distribution Board	100	600

NOZZLE DATA			
Tie - in Point	Nozzle	Size	Rating
Nitrogen Inlet	N1	2" ANSI/ASME Sch80	150#
Nitrogen Outlet	N2	2" ANSI/ASME Sch80	300#
Cooling Water Inlet	N3	1 1/2" ANSI/ASME Sch80	150#
Cooling Water Outlet	N4	1 1/2" ANSI/ASME Sch80	150#

EQUIPMENT DATA	
Identification nr.	Description
E1	Compressor
E2	Main Motor
E3	Pulsation Damper Inlet 1st
E4	Pulsation Damper Outlet 1st
E5	Pulsation Damper Inlet 2nd
E6	Pulsation Damper Outlet 2nd
E7	Inter Cooler
E8	After Cooler
E9	Skid Construction Frame

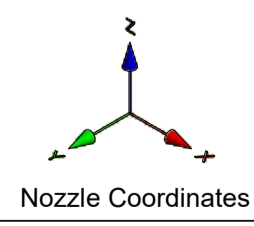
JUNCTION BOX DATA	
Identification nr.	Description
JB1	JB Solenoid Valves
JB2	JB Analog
JB3	Local Control Panel
JB4	Power Distribution Board

NOZZLE DATA	
Tie - in Point	Nozzle
Nitrogen Inlet	N1
Nitrogen Outlet	N2
Cooling Water Inlet	N3
Cooling Water Outlet	N4

ESTIMATED OPERATIONAL WEIGHT	
Part	Weight (Kg)
ESTIMATED OPERATIONAL WEIGHT	= 5200 kg
HEAVIEST MAINTENANCE PART	= 420 kg
ESTIMATED STATIC LOAD	= 51 kN
DYNAMIC LOAD IS NEGLIGIBLE DUE TO THE SIZE OF THE BASE FRAME.	
OPERATIONAL FREQUENCY	= 13 Hz

FOOTPRINT of NITROGEN COMPRESSOR PACKAGE 20-C-1002	
Client Ref.	Client
MEG20-PO-BP303-021	Bushehr Petrochemical Company (BUPC)

MODIFICATIONS	
REV.	DATE
03	15-9-2021
02	-
01	23-11-2020



○ = CENTER OF GRAVITY



Client: Bushehr Petrochemical Company (BUPC)
 Client Doc. No: MEG20-PO-BP303-021
 P&ID Rev. No.: B
 Airpack Nederland BV
 Groeneveld 25
 4301 RN Zierikzee
 The Netherlands
 Telephone (31) (0) 111 - 415455
 Telefax (31) (0) 111 - 413238
 E-mail: airpack@airpack.nl
 URL: http://www.airpack.nl
 Drawing No: 17811-COM
 17811-Footprint-N2 Comp-1
 Sheet 1 of 1