







OWNER:  شرکت سست و سویی گستر ایران (سهامی خاص)	<b>BUSHEHR PETROCHEMICAL COMPANY MEG PLANT</b>							EPC CONTRACTOR:  Chagalesh-Enerchimi-Steam Joint Venture BUPC-MEG PLANT PROJECT	
	<b>COMPRESSOR MOTOR OUTLINE DRAWING &amp; TERMINAL BOX WIRING DIAGRAM FOR NITROGEN GAS BOOSTER</b>							 Netherlands	
MC :  شرکت سست و سویی گستر ایران (سهامی خاص)	Project	Area	Phase	Unit	Dis.	Doc.	Seq.	Contract No: 52-98/445	
Owner Document Number: 17811-39A	BU	20	VD	303	EL	DWG	0053	Rev.:	Page
								03	1 of 5

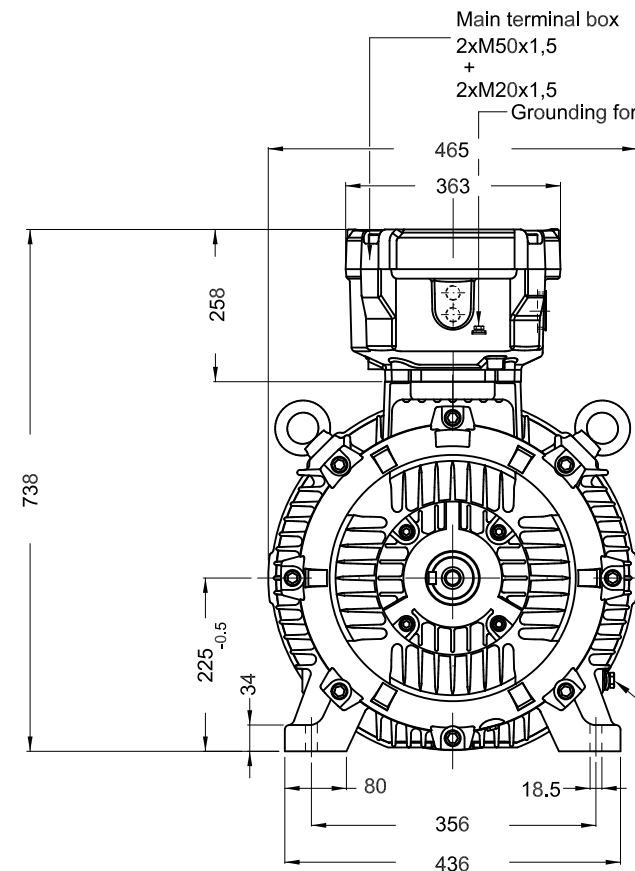
## COMPRESSOR MOTOR OUTLINE DRAWING & TERMINAL BOX WIRING DIAGRAM FOR NITROGEN

 شرکت سست و سویی گستر ایران (سهامی خاص)	 Chagalesh-Enerchimi-Steam Joint Venture BUPC-MEG PLANT PROJECT	<b>GAS BOOSTER</b> BUSHEHR PETROCHEMICAL COMPANY MEG PLANT
<b>Document Review</b>		
Issue Purpose:	AFC	
Result Code: AP,AN,CM,RE,NC	AP	
Next Status : IFC,IFA,IFI,AFC,AB	AB	
Responsible Department	MECHANICAL	
Commented Date	JAN/31/2022	
<b>Approval or review hereunder shall not be construed to relieve Vendor / Subcontractor of his responsibilities and liability under the contract.</b>		

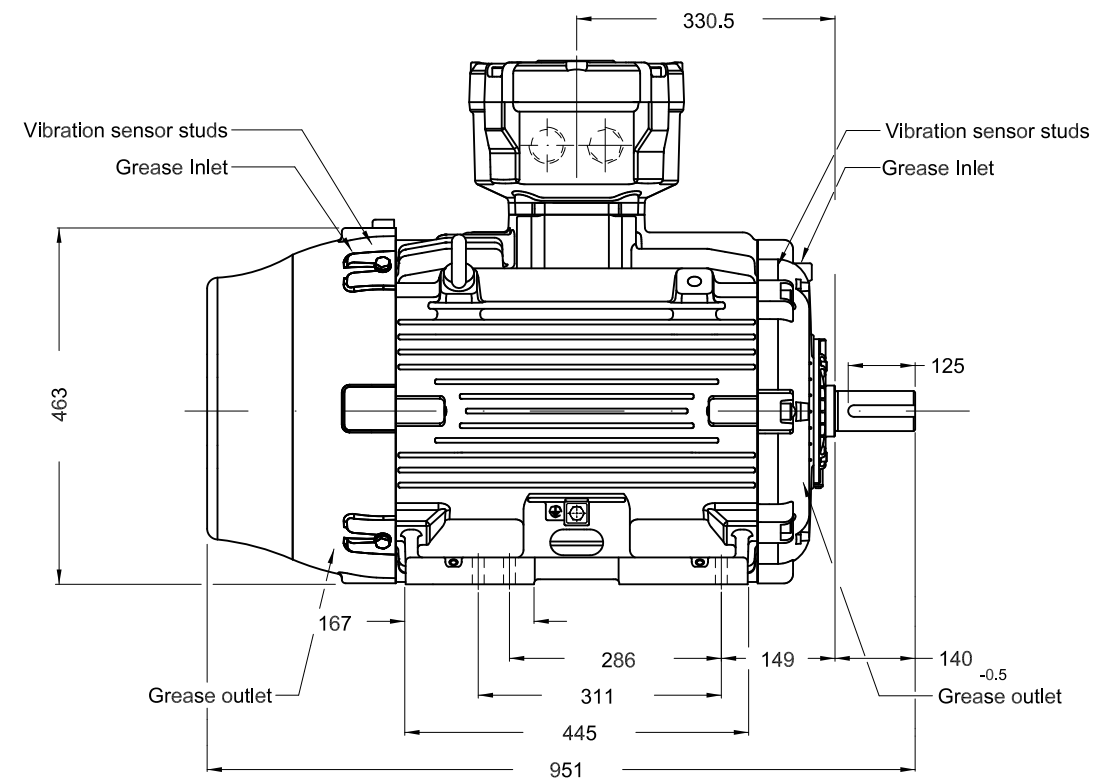
Rev.	Date	Purpose of Issue	Prepared	Checked	Approved	AC Code
03	24/01/2022	Approved for Construction	KP	LdM	JR	
02	06/01/2022	For approval	KP	LdM	JR	
01	10/12/2021	For approval	KP	LdM	JR	
00	08/12/2020	For approval	KP	LdM	JR	
Class: 1      Phase: P						



# Nitrogen Gas Booster 20-C-1002-M

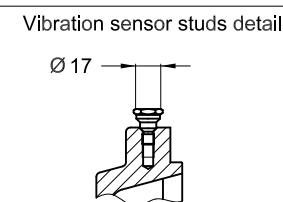
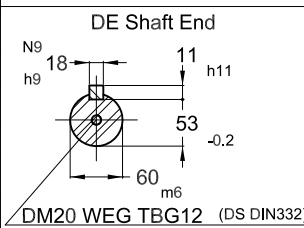


Power Cable Number and Size: **4 x 25 mm<sup>2</sup>**  
 Power Cable Gland and Entries: **1 x M40**  
**Spare entries will be plugged, Airpack will provide a suitable adapter for the cable gland**



Grounding for leads 25-50 mm<sup>2</sup> / 3-1 AWG  
 Grounding wire of 35mm<sup>2</sup> is suitable for this connection

- Tropicalized internal painting
- DE roller bearing
- Shaft locking device
- Shaft material - AISI/SAE 4140
- SPM studs
- Color RAL 5010
- Painting plan 205P
- Mounting B3T



45 kW 04 Poles 50 Hz

Dimensions in mm

ECM	LOC	SUMMARY OF MODIFICATIONS				EXECUTED	CHECKED	RELEASED	DATE	VER
EXECUTED	PIRWBUSER		THREE PH. MOTOR W22Xdb IE4 Ex d IIB T4		PREVIEW	WDD	SHEET	03/05		
CHECKED			FRAME 225S/M IP56 TEFC							
RELEASED			Main Compressor Motor 20-C-1002-M 45kW							
REL DT.			Jaragua do Sul							
		WMO	Product Engineering							

Dimensional drawing subject to change. We reserve the right to change constructional details.  
 \* Detail out of scale.

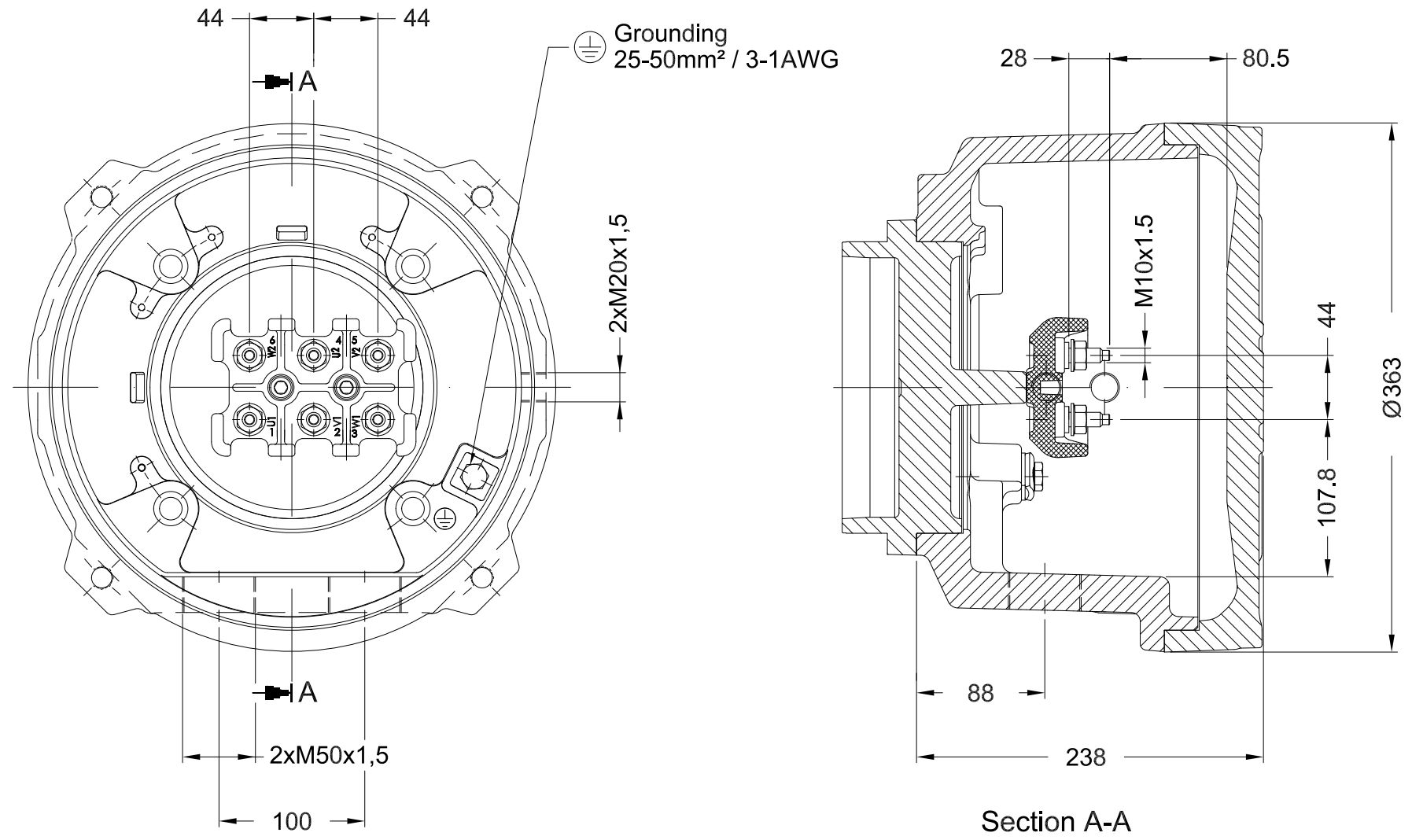
A

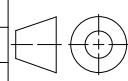

B

C

D

E



				ESC	1:4				
ECM	LOC	SUMMARY OF MODIFICATIONS		EXECUTED	CHECKED	RELEASED	DATE	VER	
EXECUTED	YDAMHUIS	 MAIN TERMINAL BOX FRAME 225S/M		PREVIEW WCD					
CHECKED								SHEET	04/05
RELEASED									
REL DT.									

THIS IS AN UPDATED REVISION, THE PREVIOUS ONE MUST BE DISREGARDED.

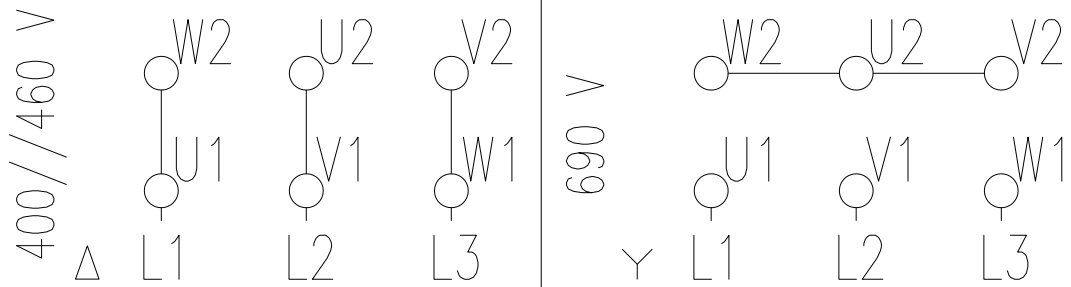
A

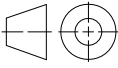

B

C

D

E



		ORIGINAL ISSUE		JESSICA	PATRICIA	CASTELLA	30.10.2018	00
ECM ECM	LOC LOC	RESUMO MODIFICAÇÃO SUMMARY OF MODIFICATIONS		EXECUTADO EXECUTED	VERIFICADO CHECKED	LIBERADO RELEASED	DATA DATE	VER VER
EXEC. /EXECUTED	JESSICA		LOW VOLTAGE - CONNECTION DIAGRAM 400/690//460V MOTOR WITH 06 CABLES	400/690//460-6				
VERIF. /CHECKED	PATRICIA			IEC	00			
LIBER. /RELEASED	CASTELLA							
DATA LB /REL DT	30.10.2018	WMO	JARAGUÁ DO SUL	ADMINISTRAÇÃO DE VENDAS	FOLHA /SHEET	05/05		