








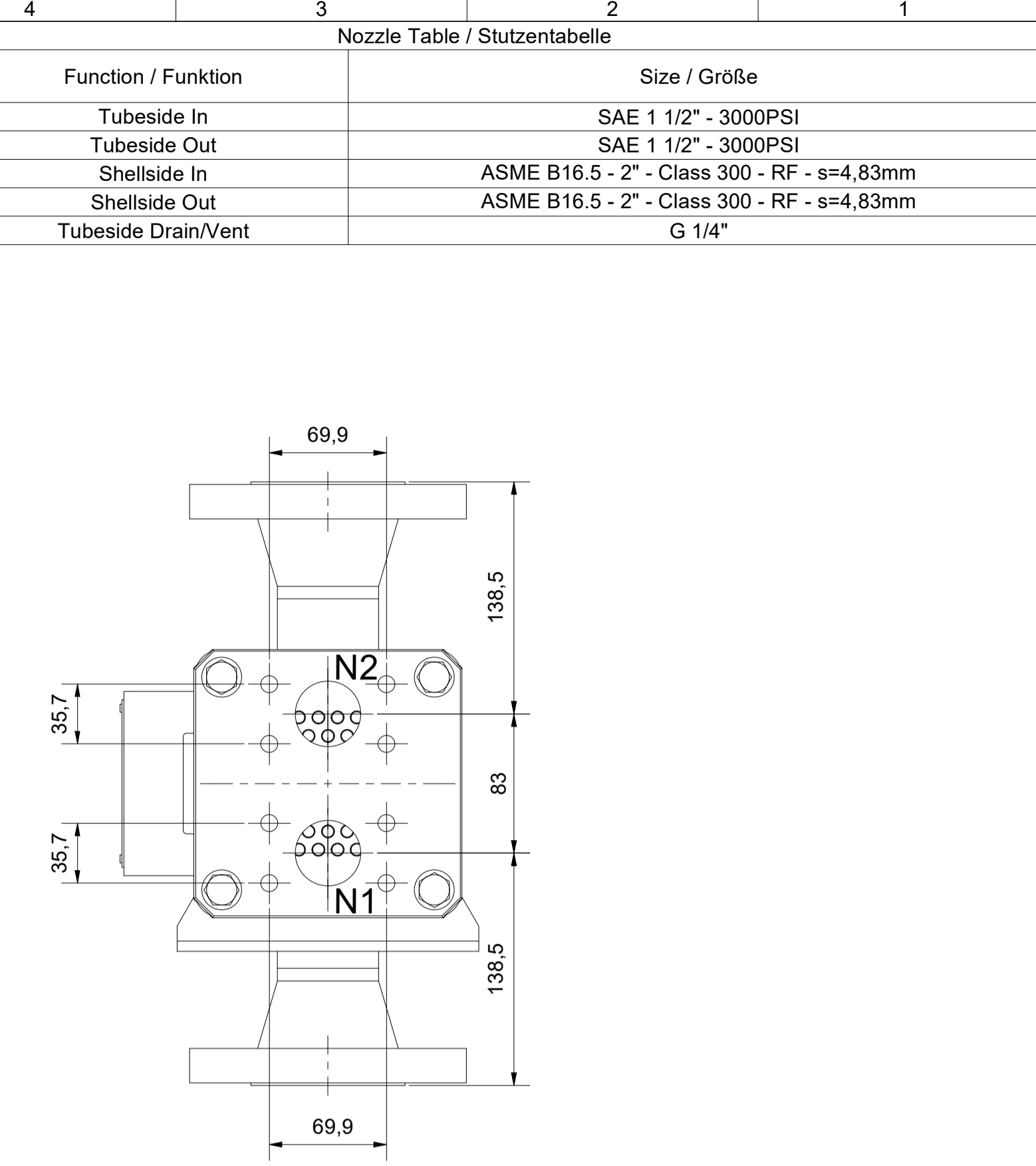
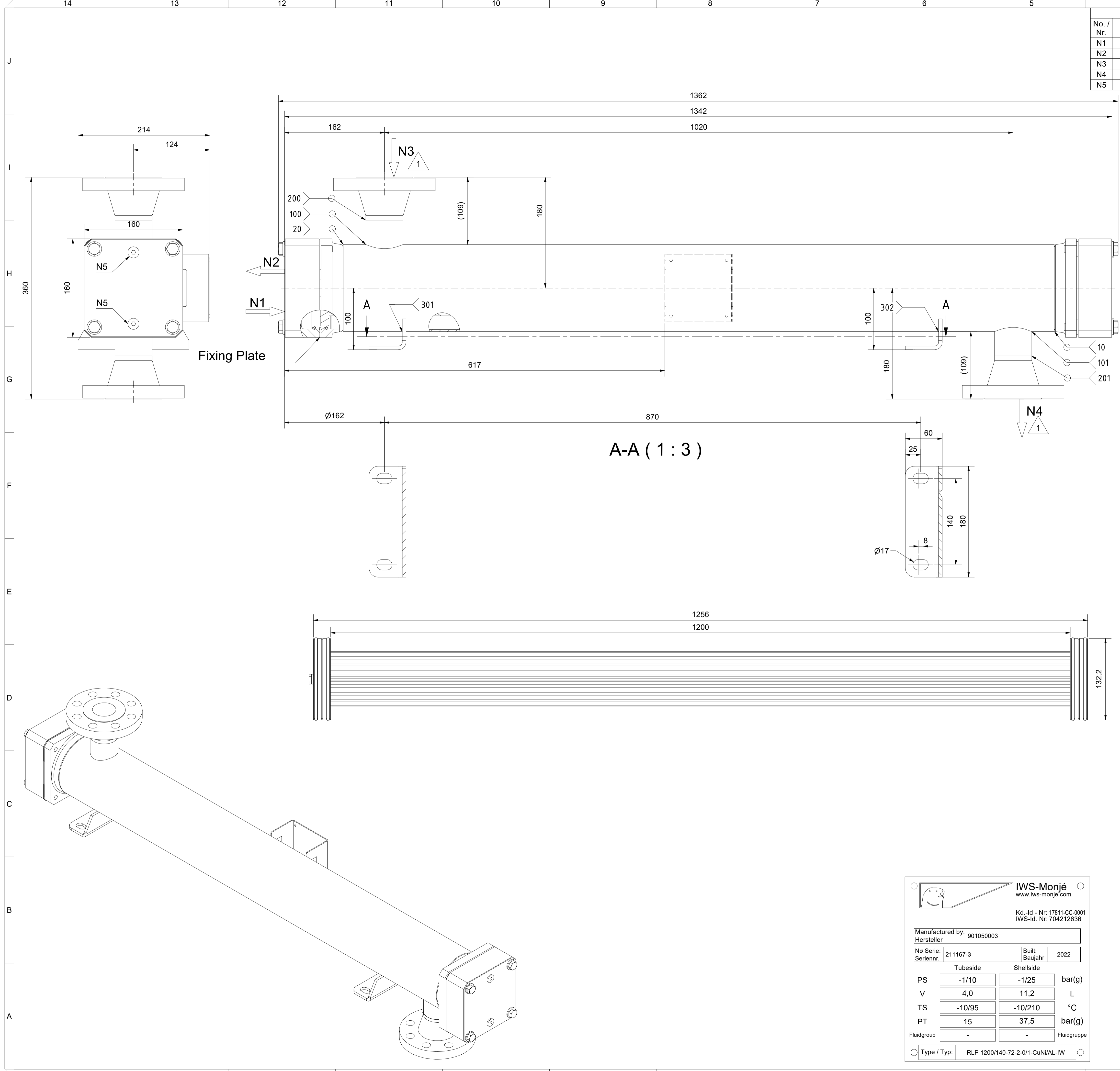
OWNER:  شرکت سست و سویی توهمه ایران (سهامی خاص)	BUSHEHR PETROCHEMICAL COMPANY MEG PLANT						EPC CONTRACTOR:  Chagalesh-Enerchimi-Steam Joint Venture BUPC-MEG PLANT PROJECT		
	AFTER COOLER DETAIL DRAWING FOR EMERGENCY INSTRUMENT AIR COMPRESSOR								
MC :									
Owner Document Number: 17811-23B	Project	Area	Phase	Unit	Dis.	Doc.	Seq.	Rev.:	Page
	BU	20	VD	303	ME	DWG	0071	03	1 of 5

AFTER COOLER DETAIL DRAWING FOR EMERGENCY INSTRUMENT AIR COMPRESSOR

 شرکت سست و سویی توهمه ایران	 Chagalesh-Enerchimi-Steam Joint Venture BUPC-MEG PLANT PROJECT	BUSHEHR PETROCHEMICAL COMPANY MEG PLANT
Document Review		
Issue Purpose:	AB	
Result Code: AP,AN,CM,RE,NC	AP	
Next Status : IFC,IFA,IFI,AFC,AB	-	
Responsible Department	MECHANICAL	
Commented Date	May.06,2023	
Approval or review hereunder shall not be construed to relieve Vendor / Subcontractor of his responsibilities and liability under the contract.		

03	26/04/2023	As Built	KP	LdM	JR	
02	21/02/2022	Approved for Construction	KP	LdM	JR	
01	07/02/2022	For approval	KP	LdM	JR	
00	06/12/2021	For approval	KP	LdM	JR	
Rev.	Date	Purpose of Issue	Prepared	Checked	Approved	AC Code
					Class: 1	Phase: P

Nozzle Table / Stutzentabelle		
No. / Nr.	Function / Funktion	Size / Größe
N1	Tubeside In	SAE 1 1/2" - 3000PSI
N2	Tubeside Out	SAE 1 1/2" - 3000PSI
N3	Shellside In	ASME B16.5 - 2" - Class 300 - RF - s=4,83mm
N4	Shellside Out	ASME B16.5 - 2" - Class 300 - RF - s=4,83mm
N5	Tubeside Drain/Vent	G 1/4"



Job Information	
Job No. Auftrags Nr.	21-11-67
Serial No. Serien Nr.	211167-3
IWS Project No. IWS Projekt Nr.	104213658
IWS Item No. IWS Artikel Nr.	704212636
Customer Tag No. Kunden Erkennungs Nr.	17811-CC-0001
Design Parameters	
Mech. Design Code Konstruktionsvorschrift	ASME VIII Div.1 - ed. 2019
TEMA Class/Type	Type BEW
	Tubeside Shellside
Design Pressure (MAWP) Max. zul. Druck (MAWP) / (PS)	-1/10bar(g) -1/25bar(g)
Test Pressure (PT) Prüfdruck	15bar(g) 37,5bar(g)
Design Temperature (AT) Zul. Betriebstemperatur (AT) / (TS)	-10/95°C -10/210°C
Volume (V) Volumen	4,0L 11,2L
Corrosion Allowance Korrosionszuschlag	0mm 0mm
Certification / Registration	
<input checked="" type="checkbox"/> ASME VIII Div. 1	U-Stamp No
	NB Registration No
Nondestructive Testing (NDT)	
Radiographic Testing Durchstrahlungsprüfung	Acc. to design code
Penetrant Test/Magn. Particle Test. Oberflächenrisssprüfung	none
Delta Ferrite Testing Delta Ferritprüfung	none
Ultrasonic Testing Ultraschallprüfung	none
Corresponding Documents	
Strength Calculation Festigkeitsberechnung	BK12-3103
Weld- and Test Plan Schweiß- und Prüfplan	SK12-3103
Parts List Stückliste	Page 3

IWS-Monjé
www.iws-monje.com

Kd.-Id - Nr: 17811-CC-0001
IWS-Id. Nr: 704212636

Manufactured by/Hersteller: 901050003

No Serie/Seriennr.: 211167-3 Built/Baujahr: 2022

	Tubeside	Shellside	
PS	-1/10	-1/25	bar(g)
V	4,0	11,2	L
TS	-10/95	-10/210	°C
PT	15	37,5	bar(g)
Fluidgroup	-	-	Fluidgruppe

Type / Typ: RLP 1200/140-72-2-0/1-CuNi/AL-IW

General Information			
03	as built	25.04.23	K.Pool
			Surface Treatment Shell Oberflächenbehandlung Gehäuse: pickled and passivated
			Surface Treatment Header RAL 7001 - Zarcosin coated inner surface
R01	Changes acc. to customer requests. Flow direction adjusted.	02.02.2022	K.Kratt
Rev.	Changes Änderungen	Date Datum	Name Name
			Empty Weight Leergewicht: ca.46,4 kg
			Description Beschreibung: After Cooler
			Drawing No. Zeichnungsnummer: 20-EAC-7080-1

IWS-MONJÉ
IWS-Monjé Heat Exchangers GmbH
Wittener Straße 102
44789 Bochum
Germany
HEAT EXCHANGERS www.iws-monje.com

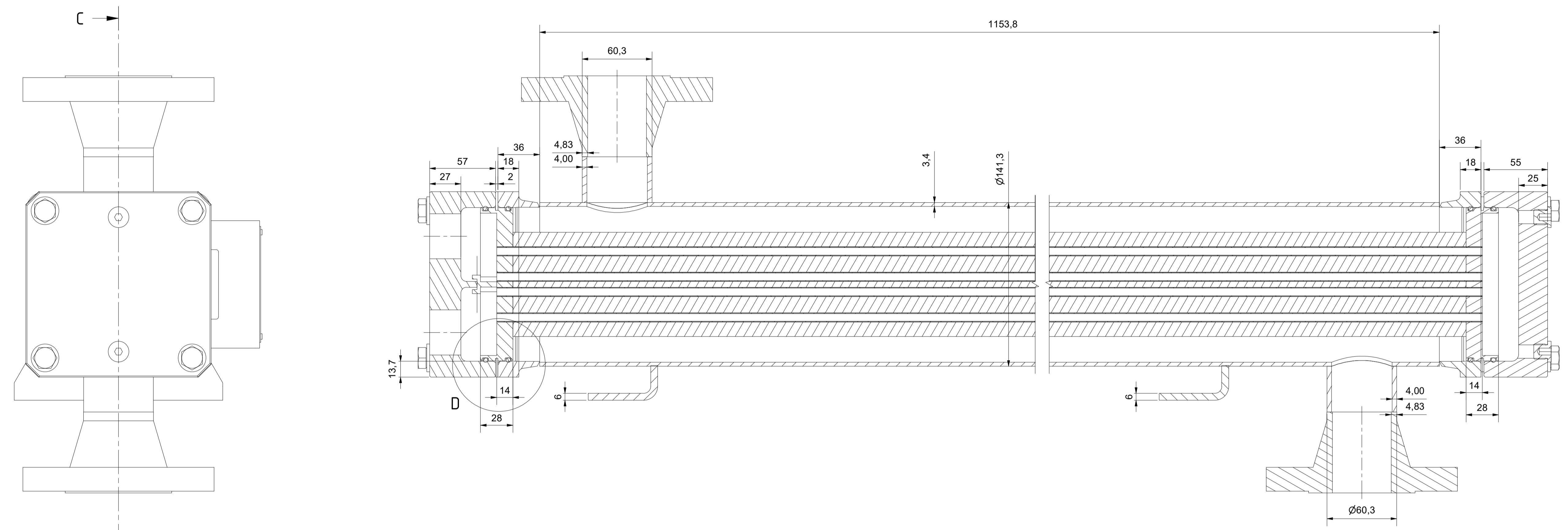
This drawing and all data contained is exclusive property of IWS-Monjé Heat Exchangers GmbH and must not be disclosed to others without written consent.

ASME VIII Div. 1 UW-33, UW-35, UG-79, UG-80, UG-81
Tolerances in acc. to EN ISO 13920-DH and
Scale 1:3
Format A1
Page 1

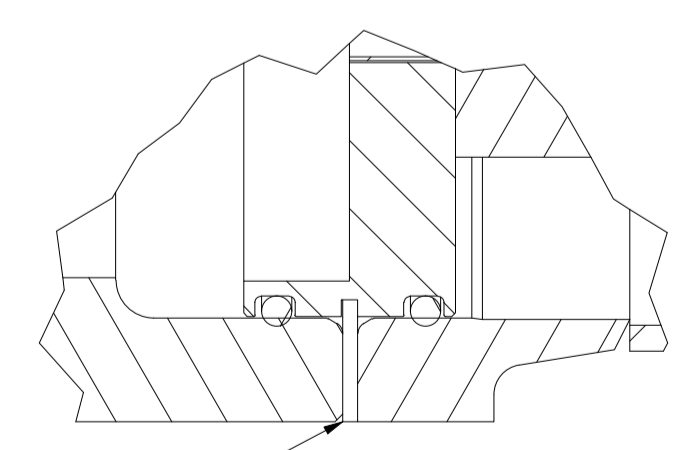
14 13 12 11 10 9 8 7 6 5 4 3 2 1

J I H G F E D C B A


C-C (1:2)



D (1:1)



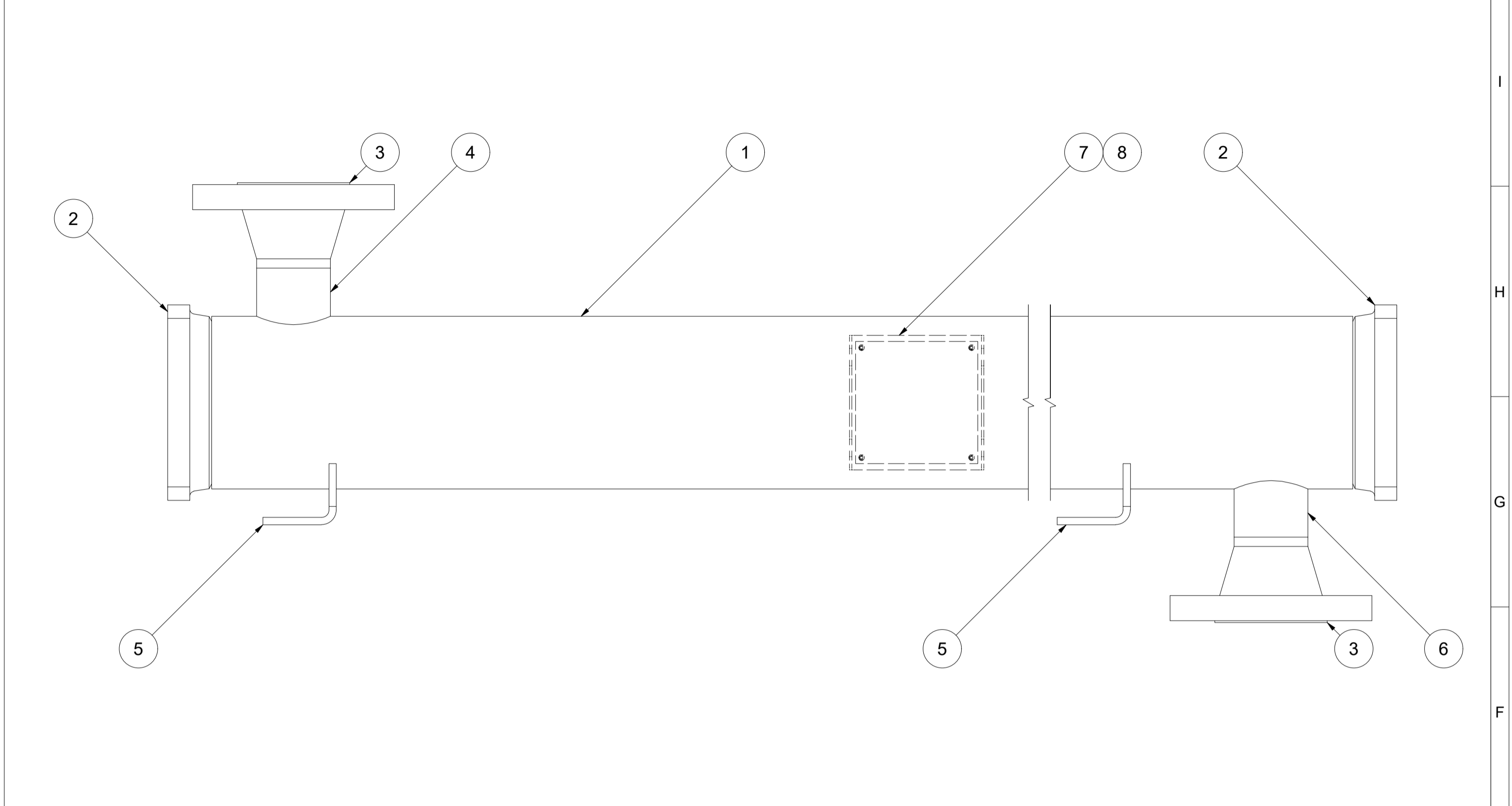
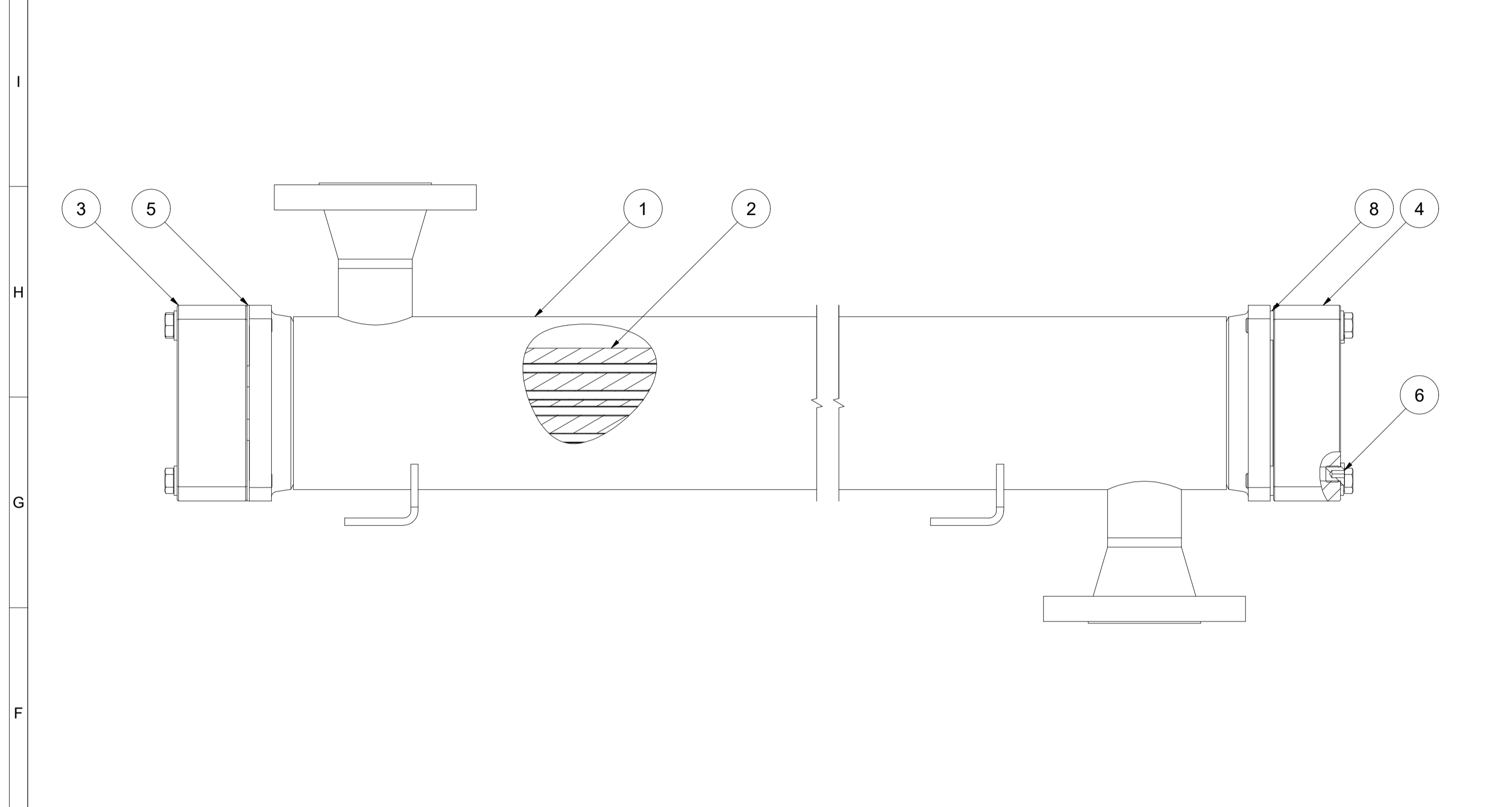
Fixing Plate

 IWS-MONJÉ <small>HEAT EXCHANGERS</small>	IWS-Monjé Heat Exchangers GmbH Wittener Straße 102 44789 Bochum Germany www.iws-monje.com	Description Beschreibung After Cooler
	Drawing No. Zeichnungsnummer 20-EAC-7080-1	ASME VIII Div. 1 UW-33, UW-35, UG-79, UG-80, UG-81 Tolerances in acc. to EN ISO 13920-DH and Scale 1:2 Format A1 Page 2

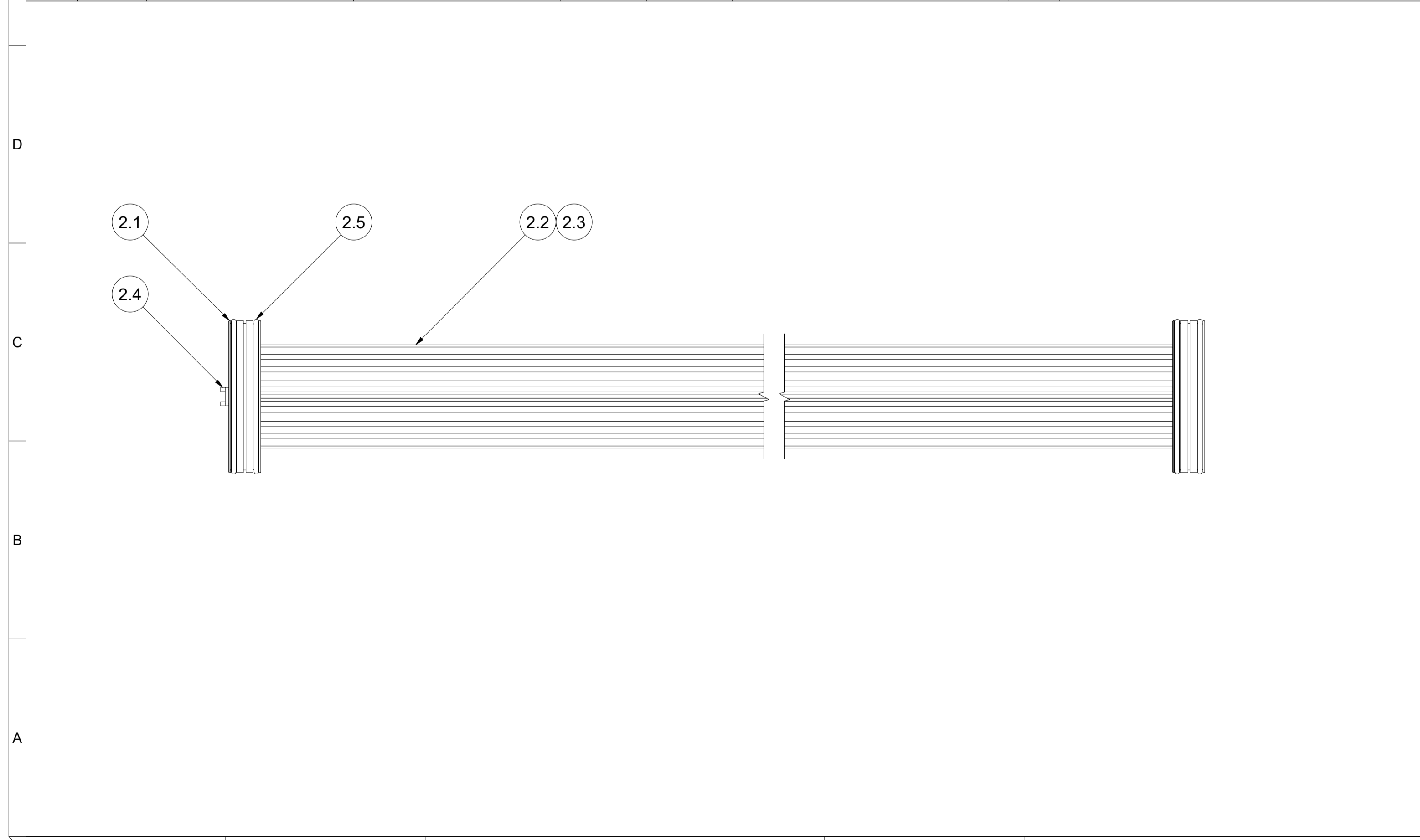
14 13 12 11 10 9 8 7 6 5 4 3 2 1

Pos.	Qty. / Menge	Description	Bezeichnung	Material / Werkstoff	Norm	Dimensions / Abmessungen	Cert. / Zgn.	Rules / Regelwerk	Notes / Bemerkungen
1	1	Shell Assembly	Mantelbaugruppe	-	-	-	-	-	-
2	1	Bundle Assembly	Bündelbaugruppe	-	-	-	-	-	-
3	1	Front End Cover	Abdeckung Vorne	CS	3.1	-	-	-	-
4	1	Back End Cover	Abdeckung Hinten	CS	3.1	-	-	-	-
5	4	Fixing Plate	Fixierplatte	304	-	-	-	-	-
6	2	Sealing Plug	Verschlusssschraube	304	-	G 1/4"	-	-	-
7	8	Bolt	Schraube	A4-70	-	M12 x 80	-	-	-
8	12	Washer	Scheibe	A4	-	Ø13mm	-	-	-

Pos.	Qty. / Menge	Description	Bezeichnung	Material / Werkstoff	Norm	Dimensions / Abmessungen	Cert. / Zgn.	Rules / Regelwerk	Notes / Bemerkungen
1	1	Shell	Mantel	TP316	SA-312	Ø141,3mm x 3,4mm	3.1	-	-
2	2	Flange Ring	Flanschring	F316	SA-182	KL12	3.1	-	-
3	2	Welding Neck Flange	Vorschweißflansch	F316	SA-182	2" - Class 300 - RF	3.1	ASME B16.5	-
4	2	Nozzle Pipe	Stutzenrohr	TP316	SA-312	Ø60,3mm x 4mm	3.1	-	-
5	2	Foot	Fuß	304	SA-240	t=6	-	-	-
7	1	Nameplate Holder	Typenschildhalter	304	SA-240	-	-	-	-
8	1	Nameplate	Typenschild	304	SA-240	-	-	-	-



Pos.	Qty. / Menge	Description	Bezeichnung	Material / Werkstoff	Norm	Dimensions / Abmessungen	Cert. / Zgn.	Rules / Regelwerk	Notes / Bemerkungen
2.1	2	Tubesheet	Rohrplatte	Brass	-	-	3.1	-	-
2.2		Fin	Lamelle	Aluminium	-	-	-	-	-
2.3	72	Tube	Rohr	CuNi10	-	-	3.1	-	-
2.4	1	Separator Gasket	Trennstegdichtung	PE1000	-	-	-	-	-
2.5	4	O-Ring	O-Ring	Viton	-	-	-	-	-



		IWS-MONJÉ Heat Exchangers GmbH Wittener Straße 102 44789 Bochum Germany www.iws-monje.com		Description Beschreibung After Cooler	
Drawing No. Zeichnungsnummer 20-EAC-7080-1		ASME VIII Div. 1 UW-33, UW-35, UG-79, UG-80, UG-81 Tolerances in accordance to EN ISO 13920-DH and Scale: 1:3 Format: A1 Page: 3			
<small>This drawing and all data contained is exclusive property of IWS-Monjé Heat Exchangers GmbH and must not be disclosed to others without written consent.</small>					