










OWNER 	<b>BUSHEHR PETROCHEMICAL COMPANY MEG PLANT</b>							EPC CONTRACTOR:  Chagalesh-Enerchimi-Steam Joint Venture BUPC-MEG PLANT PROJECT	
	<b>UCP general arrangement drawing &amp; terminal detail for reciprocating compressor</b>								
MC :   شرکت سفت و سوی توسعه ایرانیان	Project	Area	Phase	Unit	Dis.	Doc.	Seq.	Contract No : 52-98/445	
Owner Document Number: 17811-07	BU	20	VD	303	IN	DWG	0039	Rev.:	Page
								00	1 of 13

## UCP general arrangement drawing & terminal detail for reciprocating compressor

00	24/11/2020	For approval		HT	RB	KP	
Rev.	Date	Purpose of Issue		Prepared	Checked	Approved	AC Code
						Class: 1	Phase: p

OWNER  شرکت پتروشیمی بوته‌ر	<b>BUSHEHR PETROCHEMICAL COMPANY MEG PLANT</b>						EPC CONTRACTOR: 		
	<b>UCP general arrangement drawing &amp; terminal detail for reciprocating compressor</b>								
MC :   شرکت سفت و سوی توسعه ایرانیان	Project	Area	Phase	Unit	Dis.	Doc.	Seq.	Contract No : 52-98/445	
Owner Document Number: 17811-07	BU	20	VD	303	IN	DWG	0039	Rev.:	Page
								00	2 of 13

### TABULATION OF REVISED PAGES

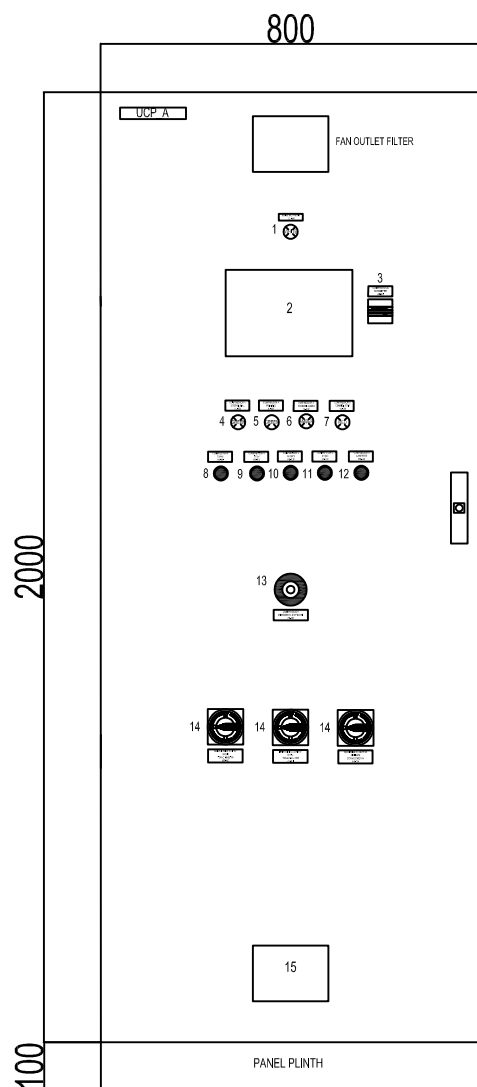
Page	D00	D01	D02	D03	D04
1.	X				
2.	X				
3.	X				
4.	X				
5.	X				
6.	X				
7.	X				
8.	X				
9.	X				
10.	X				
11.	X				
12.	X				
13.	X				
14.					
15.					
16.					
17.					
18.					
19.					
20.					
21.					
22.					
23.					
24.					
25.					
26.					
27.					
28.					
29.					
30.					
31.					
32.					
33.					
34.					

Page	D00	D01	D02	D03	D04
35.					
36.					
37.					
38.					
39.					
40.					
41.					
42.					
43.					
44.					
45.					
46.					
47.					
48.					
49.					
50.					
51.					
52.					
53.					
54.					
55.					
56.					
57.					
58.					
59.					
60.					
61.					
62.					
63.					
64.					
65.					
66.					
67.					

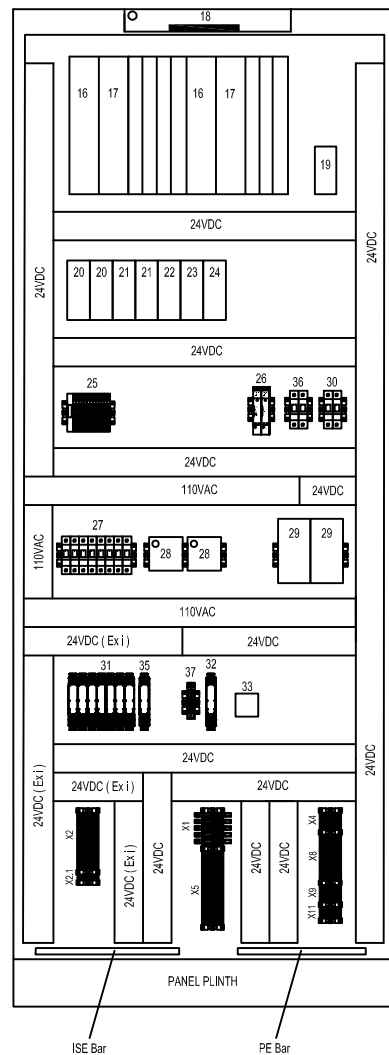


UCP\_A

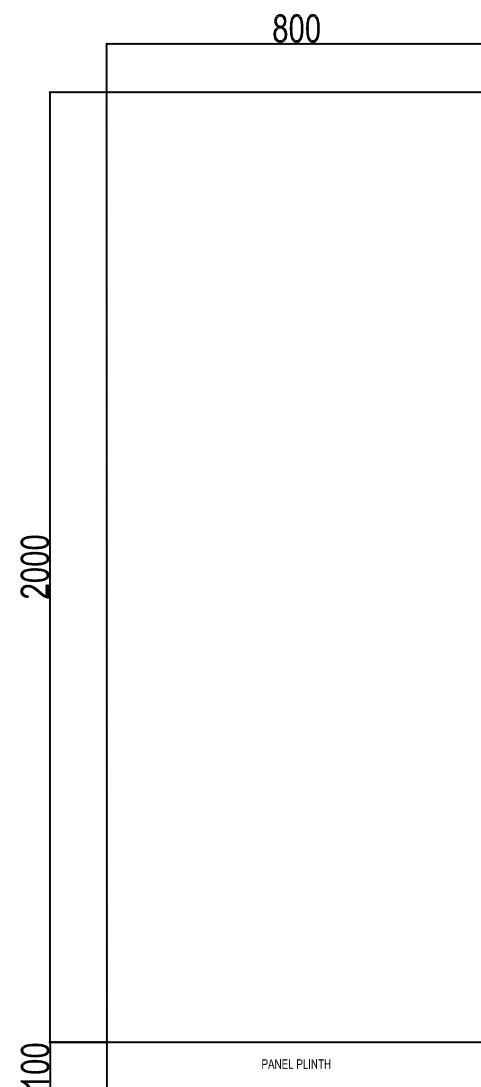
FRONT SIDE (OUTSIDE) VIEW



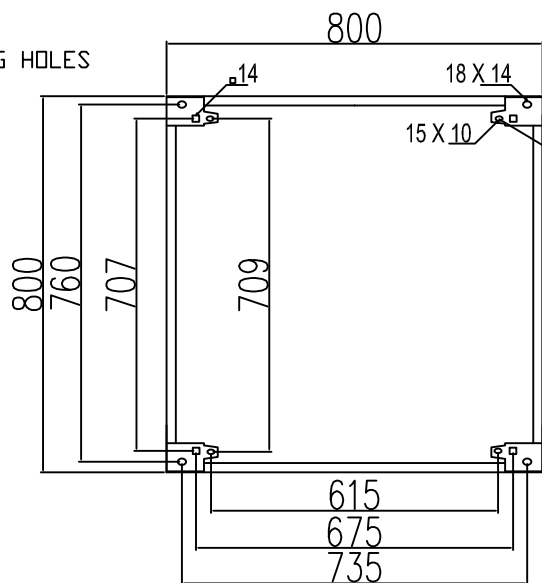
FRONT SIDE (INSIDE) VIEW



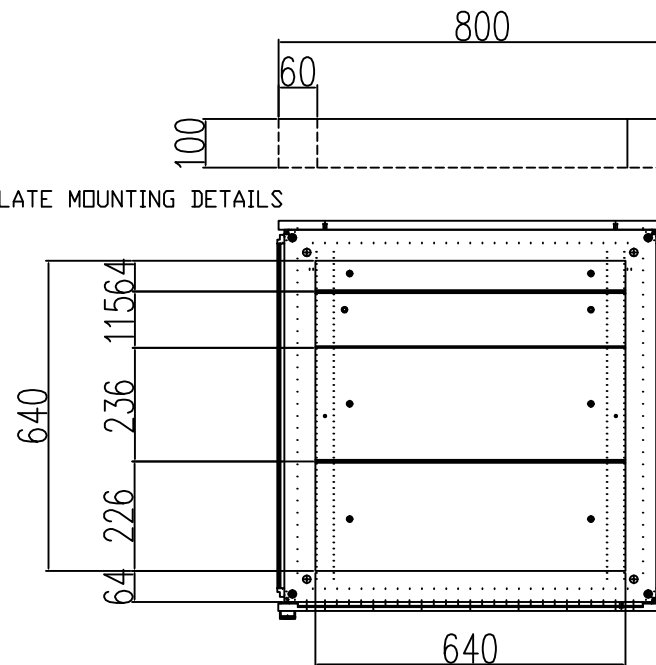
SIDE (OUTSIDE) VIEW



PLINTH FIXING HOLES



GLAND PLATE MOUNTING DETAILS



GENERAL NOTES

1. Panel material: Painted sheet steel (RAL7035)
2. Ingress protection: IP-42
3. Panel dimensions: 2100x800x800 mm
4. Area classification: Safe area
5. Drawing pocket will be included: (A3 format)

REFERENCE DRAWINGS

xxxxxxx

DWG.No.

xxxxxxx

REV	DATE	PURPOSE OF ISSUE (P.O.I)	PREP	CHKD	APPR	AC
00	24/11/20	For approval	HT	RB	RB	-

OWNER:

MC:

CONTRACTOR:

PROJECT: BUSHEHR PETROCHEMICAL COMPANY  
MEG PLANT

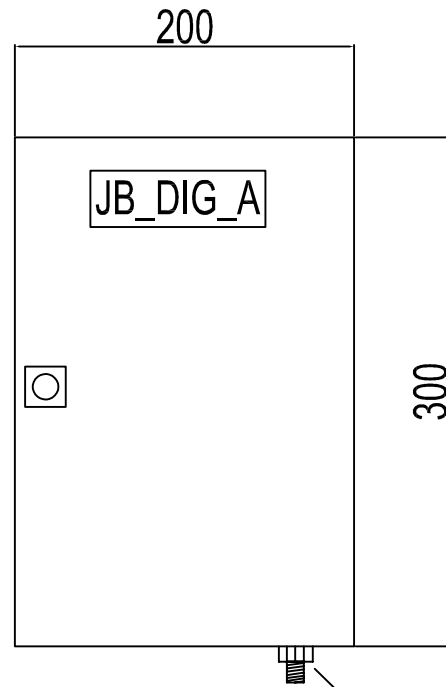
DRAWING TITLE:  
17811-07  
UCP GENERAL ARRANGEMENT DRAWING & TERMINAL DETAILS

CONTRACT NO.	SCALE	SIZE	CLASS	PHASE					
52-28/445	XX	A0	-	-					
DOCUMENT NO.	PROJECT	AREA	PHASE	MRQ No.	DIS.	DOC.	SEQ.	SHEET	REV. NO.
-	-	-	-	-	-	-	-	-	-
OWNER DOC. NO.:	-	-	-	-	-	-	-	-	-

THIS DOCUMENT IS THE PROPERTY OF AIRPACK AND IS NOT TO BE REPRODUCED OR TRANSMITTED IN ANY FORM OR BY ANY MEANS, ELECTRONIC OR MECHANICAL, WITHOUT THE WRITTEN PERMISSION OF AIRPACK.

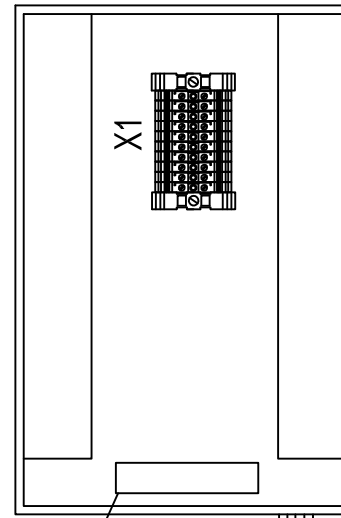
JB\_DIG\_A

FRONT SIDE (OUTSIDE) VIEW



EARTHING BOSS M10

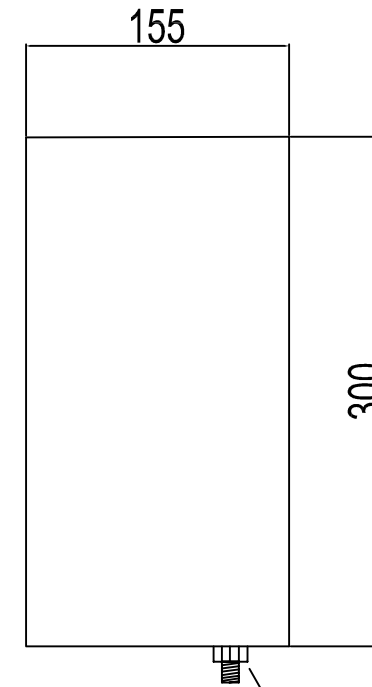
FRONT SIDE (INSIDE) VIEW



PE Bar

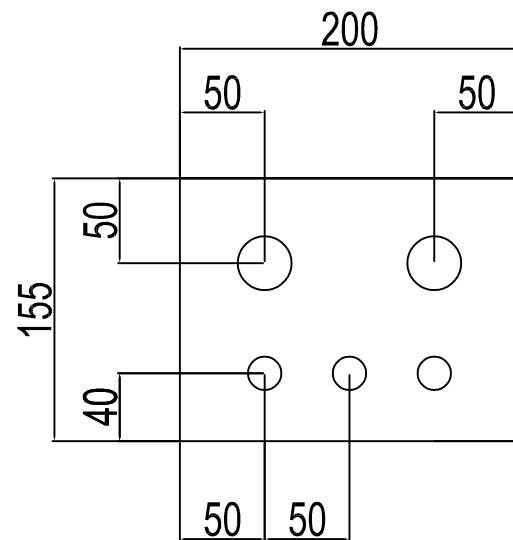
EARTHING BOSS M10

SIDE (OUTSIDE) VIEW



EARTHING BOSS M10

BOTTOM VIEW



### GLAND ENTRY DETAILS

M20: 3x  
 M25: 1x

#### GENERAL NOTES

1. Panel material: SS316
2. Ingress protection: IP-65
3. Panel dimensions: 200x300x155 mm
4. Area classification: Eex 'e'
5. All spare holes are plugged with certified plugs

REFERENCE DRAWINGS	DWG.No.
xxxxxxx	xxxxxxx

00	24/11/20	For approval	HT	RB	RB	-
REV.	DATE	PURPOSE OF ISSUE (P.O.I)	PREP.	CHKD.	APPR.	AC.

OWNER:

MC:

CONTRACTOR:

PROJECT: BUSHEHR PETROCHEMICAL COMPANY  
MEG PLANT

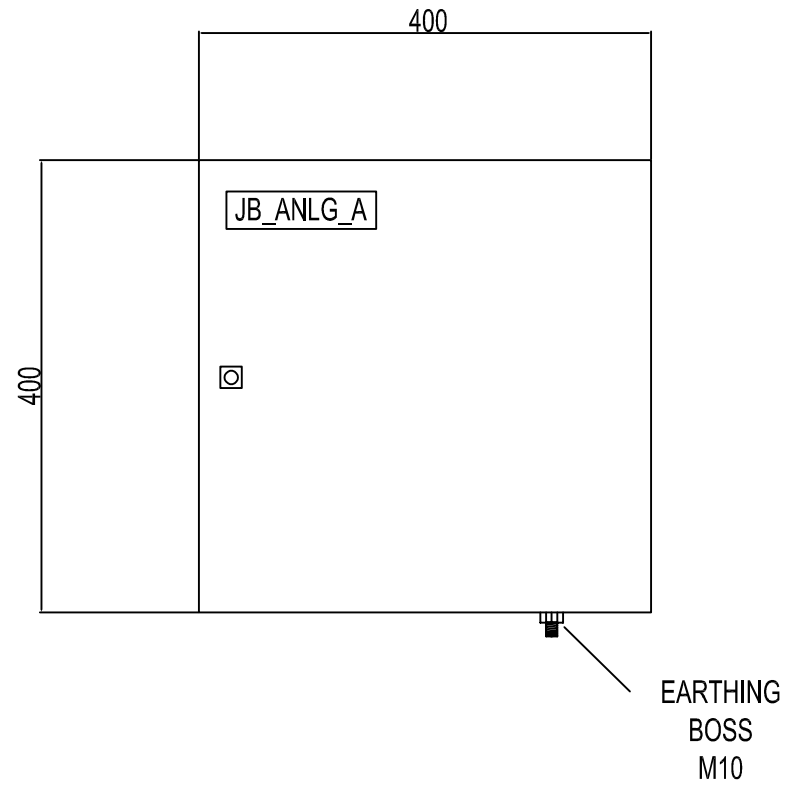
DRAWING TITLE:  
17811-07  
UCP GENERAL ARRANGEMENT DRAWING & TERMINAL DETAILS

CONTRACT NO.	SCALE	SIZE	CLASS	PHASE					
S2-88/445	XX	A0	-	-					
DOCUMENT NO.	PROJECT	AREA	PHASE	MRQ No.	DIS.	DOC.	SEQ.	SHEET	REV. NO.
-	-	-	-	-	-	-	-	-	-
OWNER DOC. NO.:	-	-	-	-	-	-	-	-	-

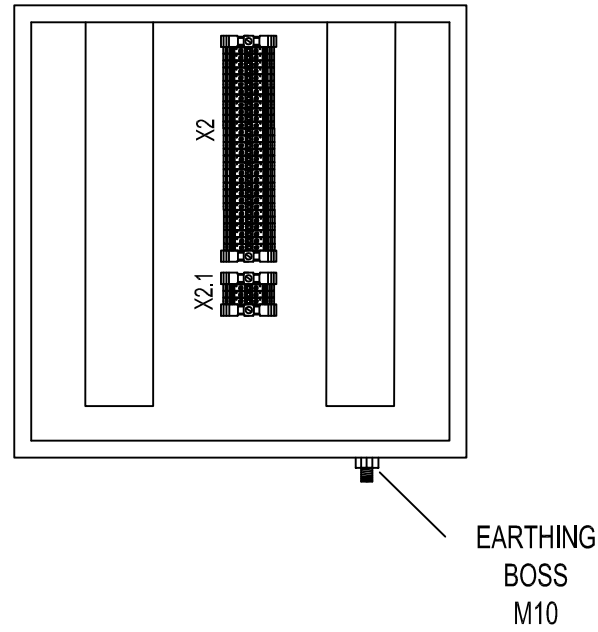
REPRODUCTION OR TRANSMISSION OF THIS DOCUMENT IN WHOLE OR IN PART WITHOUT THE WRITTEN PERMISSION OF THE COMPANY IS PROHIBITED.

JB\_ANLG\_A

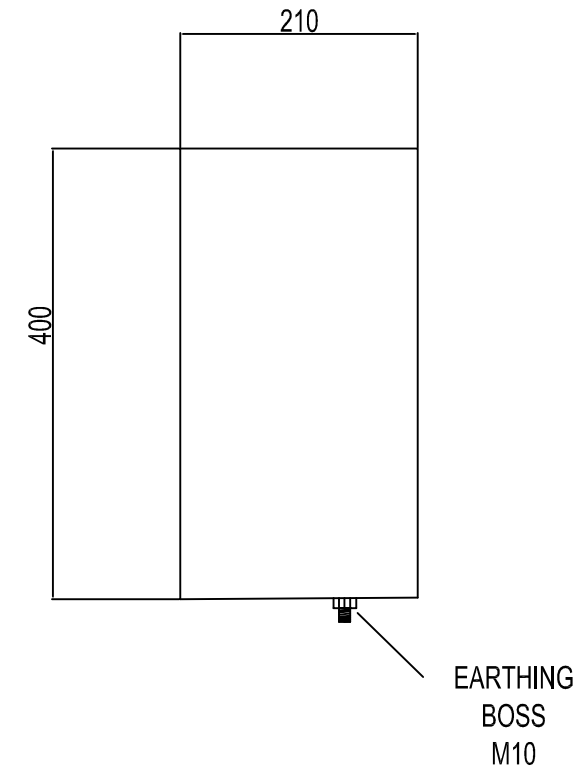
FRONT SIDE (OUTSIDE) VIEW



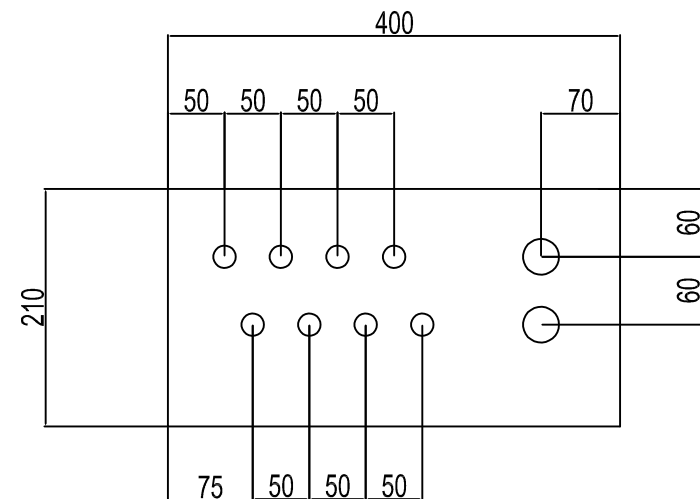
FRONT SIDE (INSIDE) VIEW



SIDE (OUTSIDE) VIEW



BOTTOM VIEW



GLAND ENTRY DETAILS

M20: 8x  
M32: 2x

GENERAL NOTES

1. Panel material: SS316
2. Ingress protection: IP-65
3. Panel dimensions: 400x400x210 mm
4. Area classification: Eex 'e'
5. All spare holes are plugged with certified plugs

REFERENCE DRAWINGS	DWG.No.
xxxxxxx	xxxxxxx

REV.	DATE	PURPOSE OF ISSUE (P.O.I.)	PREP.	CHKD.	APPR.	AC.
00	24/11/20	For approval		HT	RB	RB

OWNER:	MC:	CONTRACTOR:

PROJECT: BUSHEHR PETROCHEMICAL COMPANY  
MEG PLANT

DRAWING TITLE:  
17811-07  
UCP GENERAL ARRANGEMENT DRAWING & TERMINAL DETAILS

CONTRACT NO.	SCALE	SIZE	CLASS	PHASE
S2-88/445	XX	A0	-	-

DOCUMENT NO.	PROJECT	AREA	PHASE	MRQ No.	DIS.	DOC.	SEQ.	SHEET	REV. NO.
OWNER DOC. NO.:	-	-	-	-	-	-	-	-	OF -

REPRODUCTION OR TRANSMISSION OF THIS DOCUMENT IN WHOLE OR IN PART WITHOUT THE WRITTEN CONSENT OF S.A.P.C.

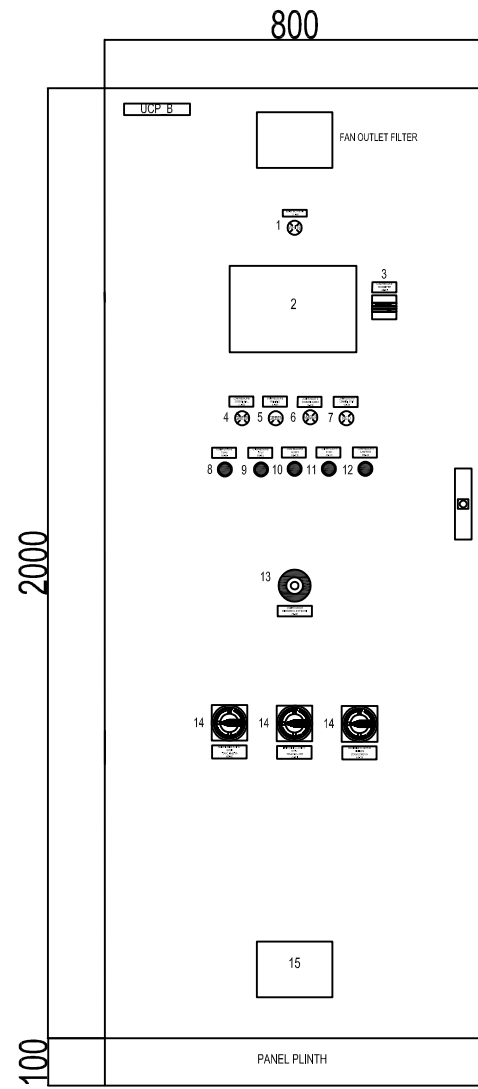




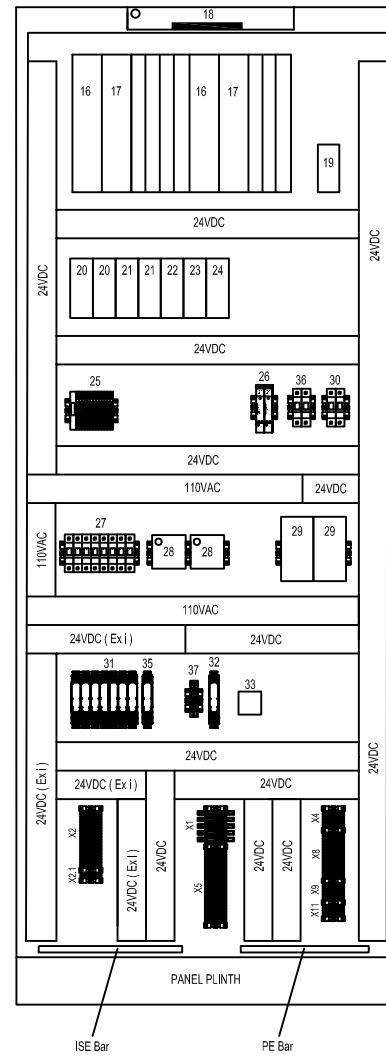


UCP\_B

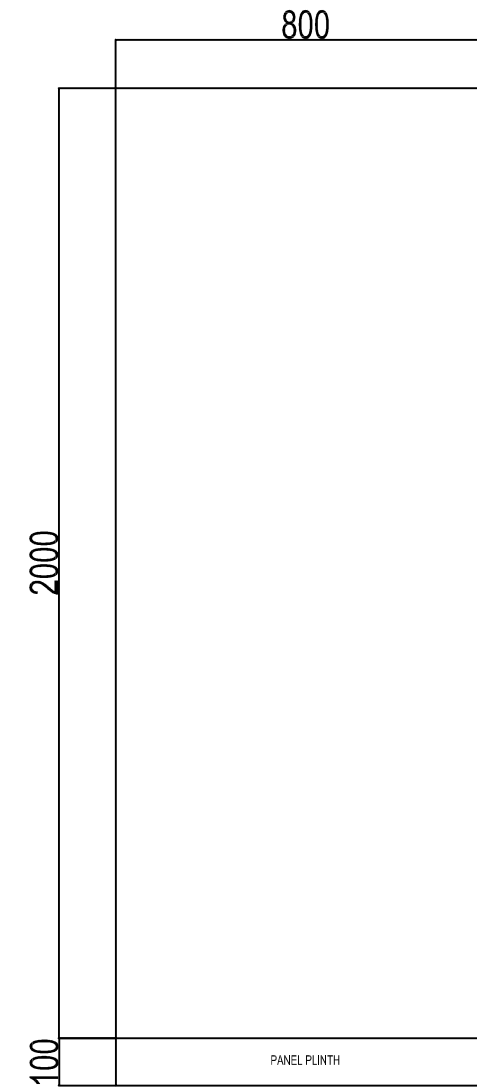
FRONT SIDE (OUTSIDE) VIEW



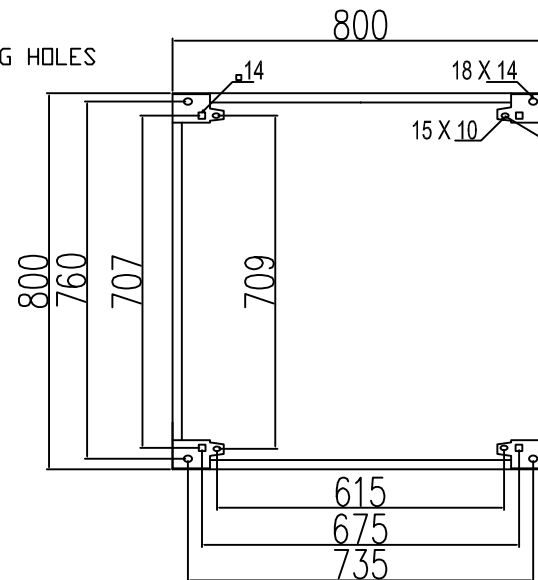
FRONT SIDE (INSIDE) VIEW



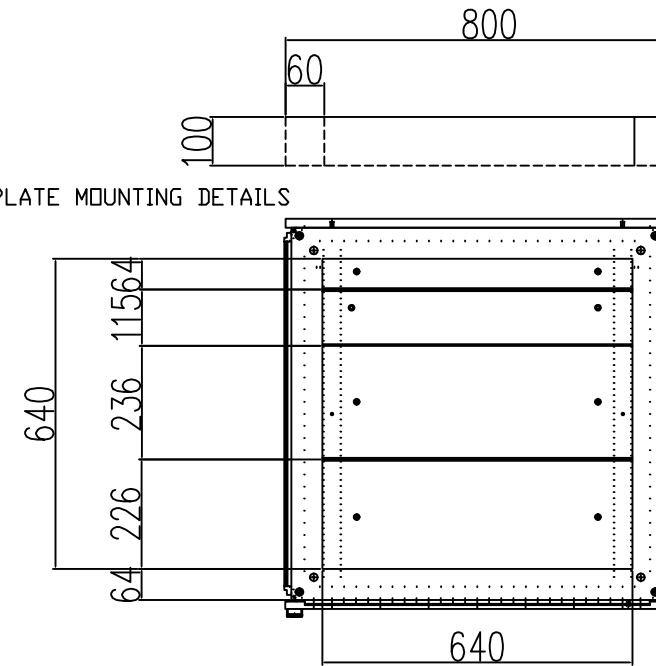
SIDE (OUTSIDE) VIEW



PLINTH FIXING HOLES



GLAND PLATE MOUNTING DETAILS



GENERAL NOTES

1. Panel material: Painted sheet steel (RAL7035)
2. Ingress protection: IP-42
3. Panel dimensions: 2100x800x800 mm
4. Area classification: Safe area
5. Drawing pocket will be included: (A3 format)

REFERENCE DRAWINGS

xxxxxxx

DWG.No.

xxxxxxx

REV	DATE	PURPOSE OF ISSUE (P.O.I)	PREP	CHKD	APPR	AC
00	24/11/20	For approval	HT	RB	RB	-

OWNER:

MC:

CONTRACTOR:

PROJECT: BUSHEHR PETROCHEMICAL COMPANY  
MEG PLANT

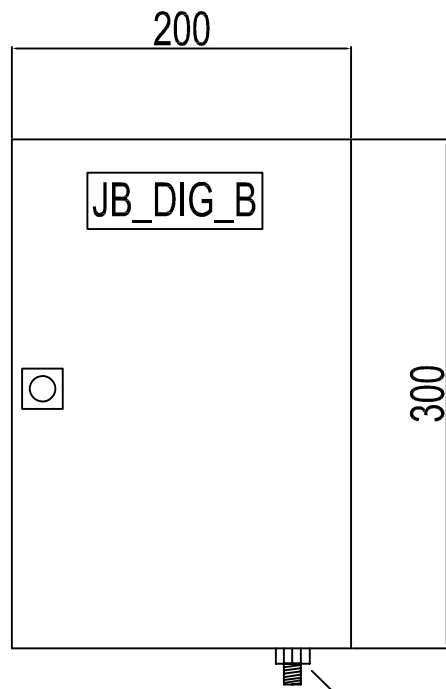
DRAWING TITLE:  
17811-07  
UCP GENERAL ARRANGEMENT DRAWING & TERMINAL DETAILS

CONTRACT NO.	SCALE	SIZE	CLASS	PHASE					
S2-28/445	XX	A0	-	-					
DOCUMENT NO.	PROJECT	AREA	PHASE	MRQ No.	DIS.	DOC.	SEQ.	SHEET	REV. NO.
-	-	-	-	-	-	-	-	-	-
OWNER DOC. NO.:	-	-	-	-	-	-	-	-	-

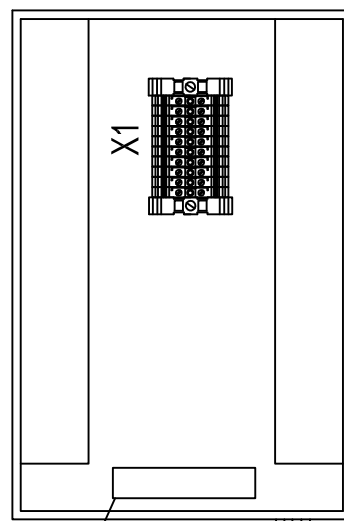
THIS DOCUMENT IS THE PROPERTY OF AIRPACK. IT IS TO BE USED ONLY FOR THE PROJECT AND NOT TO BE REPRODUCED OR COPIED IN ANY MANNER WITHOUT THE WRITTEN PERMISSION OF AIRPACK.

JB-DIG-B

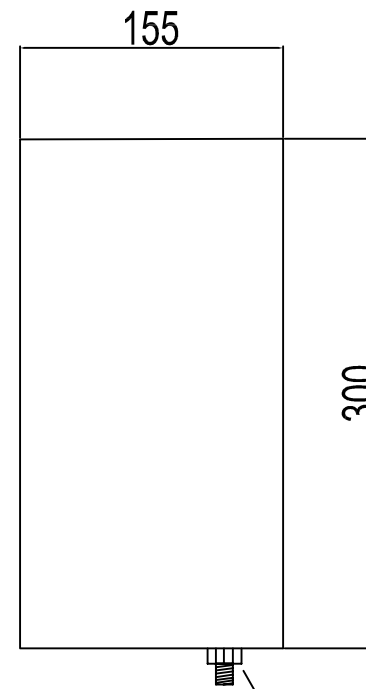
FRONT SIDE (OUTSIDE) VIEW



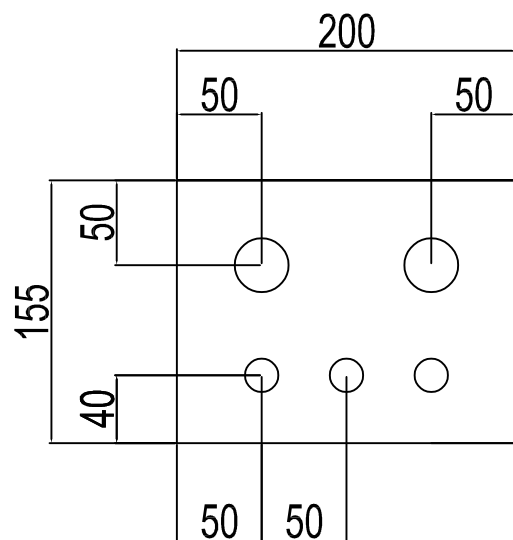
FRONT SIDE (INSIDE) VIEW



SIDE (OUTSIDE) VIEW



BOTTOM VIEW



EARTHING  
BOSS  
M10

PE Bar

EARTHING  
BOSS  
M10

EARTHING  
BOSS  
M10

GLAND ENTRY DETAILS

M20: 3x  
M25: 1x

GENERAL NOTES

1. Panel material: SS316
2. Ingress protection: IP-65
3. Panel dimensions: 200x300x155 mm
4. Area classification: Eex 'e'
5. All spare holes are plugged with certified plugs

REFERENCE DRAWINGS  
xxxxxxx

DWG.No.  
xxxxxxx

00	24/11/20	For approval	HT	RB	RB	-
REV.	DATE	PURPOSE OF ISSUE (P.O.I)	PREP.	CHKD.	APPR.	AC.

OWNER:

MC:

CONTRACTOR:

PROJECT: BUSHEHR PETROCHEMICAL COMPANY  
MEG PLANT

DRAWING TITLE:  
17811-07  
UCP GENERAL ARRANGEMENT DRAWING & TERMINAL DETAILS

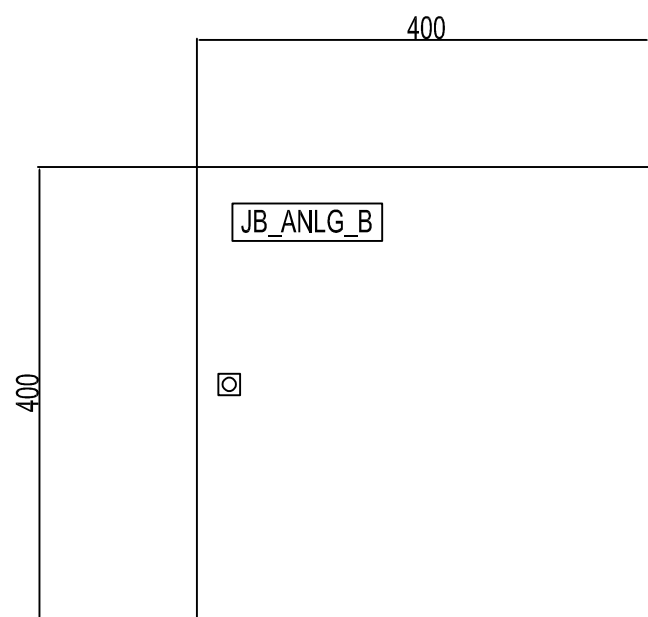
CONTRACT NO.	SCALE	SIZE	CLASS	PHASE					
S2-88/445	XX	A0	-	-					
DOCUMENT NO.	PROJECT	AREA	PHASE	MRQ No.	DIS.	DOC.	SEQ.	SHEET	REV. NO.
-	-	-	-	-	-	-	-	-	-

OWNER DOC. NO.: - - - - - OF - -

REPRODUCTION OF THIS DOCUMENT IS PROHIBITED WITHOUT THE WRITTEN PERMISSION OF THE PROJECT MANAGER.

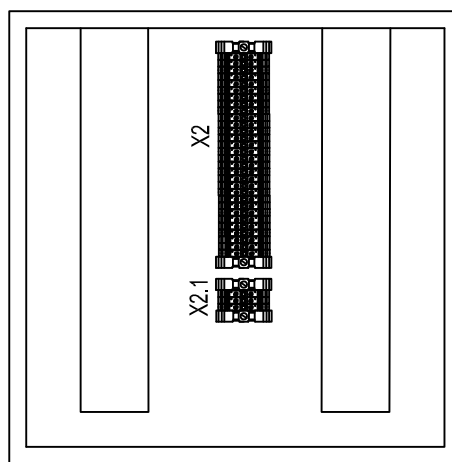
JB\_ANLG\_B

FRONT SIDE (OUTSIDE) VIEW



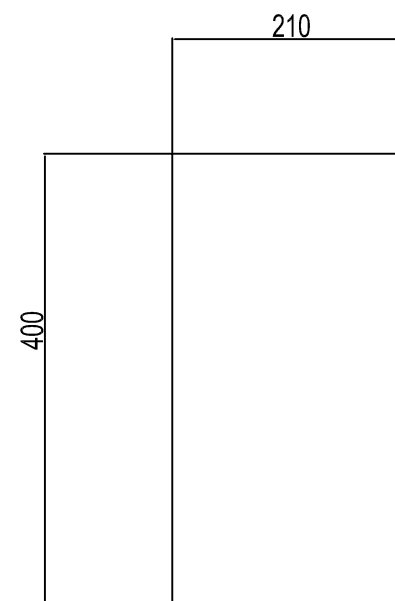
EARTHING BOSS M10

FRONT SIDE (INSIDE) VIEW



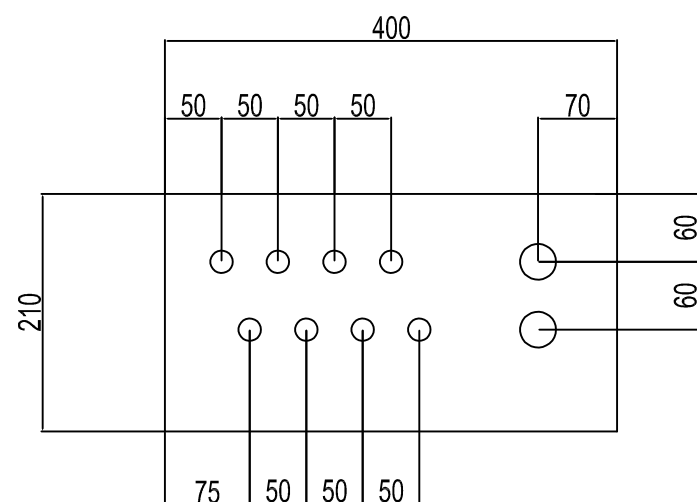
EARTHING BOSS M10

SIDE (OUTSIDE) VIEW



EARTHING BOSS M10

BOTTOM VIEW



GLAND ENTRY DETAILS

M20: 8x  
M32: 2x

GENERAL NOTES

1. Panel material: SS316
2. Ingress protection: IP-65
3. Panel dimensions: 400x400x210 mm
4. Area classification: Eex 'e'
5. All spare holes are plugged with certified plugs

REFERENCE DRAWINGS	DWG.No.
xxxxxxx	xxxxxxx

00	24/11/20	For approval	HT	RB	RB	-
REV.	DATE	PURPOSE OF ISSUE (P.O.I.)	PREP.	CHKD.	APPR.	AC.

OWNER:

MC:

CONTRACTOR:

PROJECT: BUSHEHR PETROCHEMICAL COMPANY  
MEG PLANT

DRAWING TITLE:  
17811-07  
UCP GENERAL ARRANGEMENT DRAWING & TERMINAL DETAILS

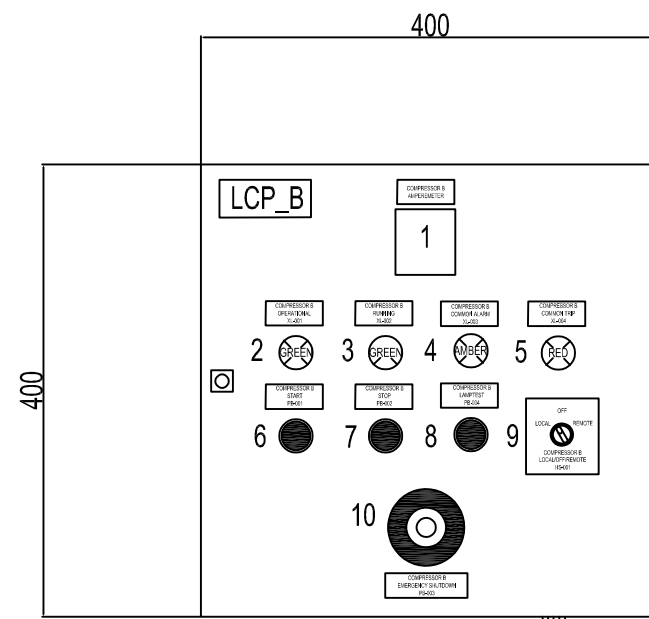
CONTRACT NO.	SCALE	SIZE	CLASS	PHASE					
S2-88/445	XX	A0	-	-					
DOCUMENT NO.	PROJECT	AREA	PHASE	MRQ No.	DIS.	DOC.	SEQ.	SHEET	REV. NO.
OWNER DOC. NO.:	-	-	-	-	-	-	-	-	OF -

REPRODUCTION OR TRANSMISSION OF THIS DOCUMENT IN WHOLE OR IN PART WITHOUT THE WRITTEN PERMISSION OF AIRPACK IS PROHIBITED.



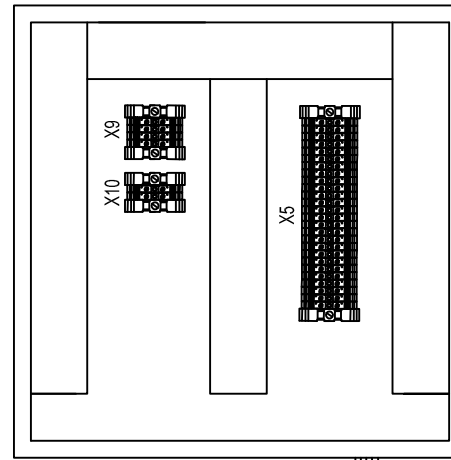
LCP\_B

FRONT SIDE (OUTSIDE) VIEW



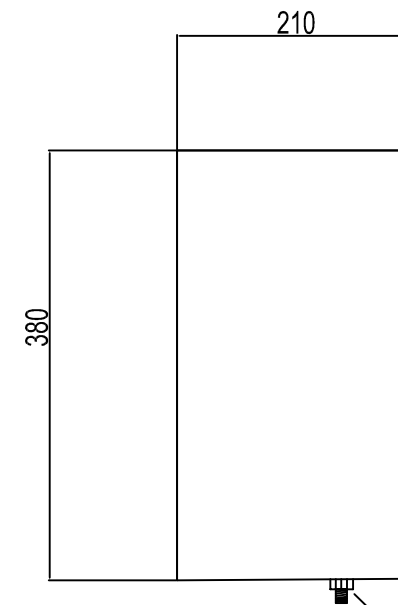
EARTHING BOSS M10

FRONT SIDE (INSIDE) VIEW



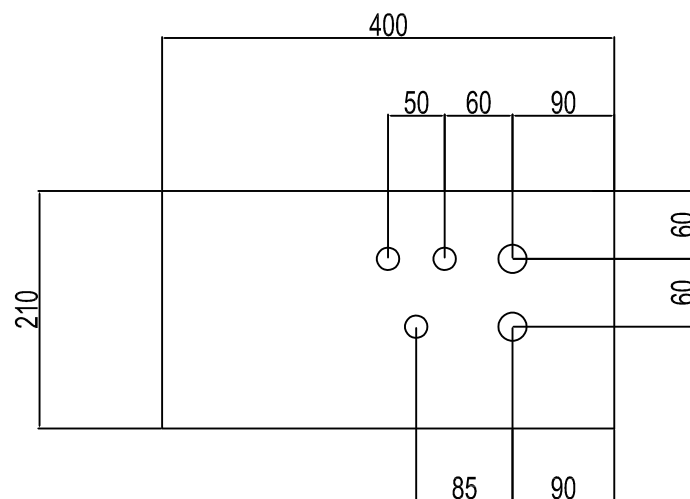
EARTHING BOSS M10

SIDE (OUTSIDE) VIEW



EARTHING BOSS M10

BOTTOM VIEW



GLAND ENTRY DETAILS

M20: 3x  
M25: 2x

GENERAL NOTES

1. Panel material: SS316
2. Ingress protection: IP-65
3. Panel dimensions: 400x400x210 mm
4. Area classification: Eex 'e'
5. All spare holes are plugged with certified plugs

REFERENCE DRAWINGS	DWG.No.
xxxxxxx	xxxxxxx

00	24/11/20	For approval	HT	RB	RB	-
REV.	DATE	PURPOSE OF ISSUE (P.O.I)	PREP.	CHKD.	APPR.	AC.
OWNER:	MC:	CONTRACTOR:				
PROJECT: BUSHEHR PETROCHEMICAL COMPANY MEG PLANT						
DRAWING TITLE: 17811-07 UCP GENERAL ARRANGEMENT DRAWING & TERMINAL DETAILS						
CONTRACT NO.	SCALE	SIZE	CLASS	PHASE		
S2-88/445	XX	A0	-	-		
DOCUMENT NO.	PROJECT	AREA	PHASE	MRQ No.	DIS.	DOC. SEQ.
OWNER DOC. NO.:	-	-	-	-	-	-
						REV. NO. SHEET NO. OF -

REPRODUCTION OR TRANSMISSION OF THIS DOCUMENT IN WHOLE OR IN PART WITHOUT THE WRITTEN CONSENT OF AIRPACK IS PROHIBITED.