





OWNER:  شرکت سست و سویی توهمه ایران (سهامی خاص)	<b>BUSHEHR PETROCHEMICAL COMPANY MEG PLANT</b>							EPC CONTRACTOR:  Chagalesh-Enerchimi-Steam Joint Venture BUPC-MEG PLANT PROJECT	
	<b>INSTRUMENT HOOK UP DRAWING FOR NITROGEN GAS BOOSTER</b>								
MC :  شرکت سست و سویی توهمه ایران (سهامی خاص)	Project	Area	Phase	Unit	Dis.	Doc.	Seq.	Contract No : 52-98/445	
Owner Document Number: 17811-38A	BU	20	VD	303	IN	DWG	0033	Rev.:	Page
								01	1 of 12

## INSTRUMENT HOOK UP DRAWING FOR NITROGEN GAS BOOSTER

01	16/11/2021	For approval	WZ	KP	LdM			
00	08/12/2020	For approval	WZ	KP	LdM			
Rev	Date	Purpose of Issue	Prepared	Checked	Approved	AC Code		
							Class: 1	Phase: P



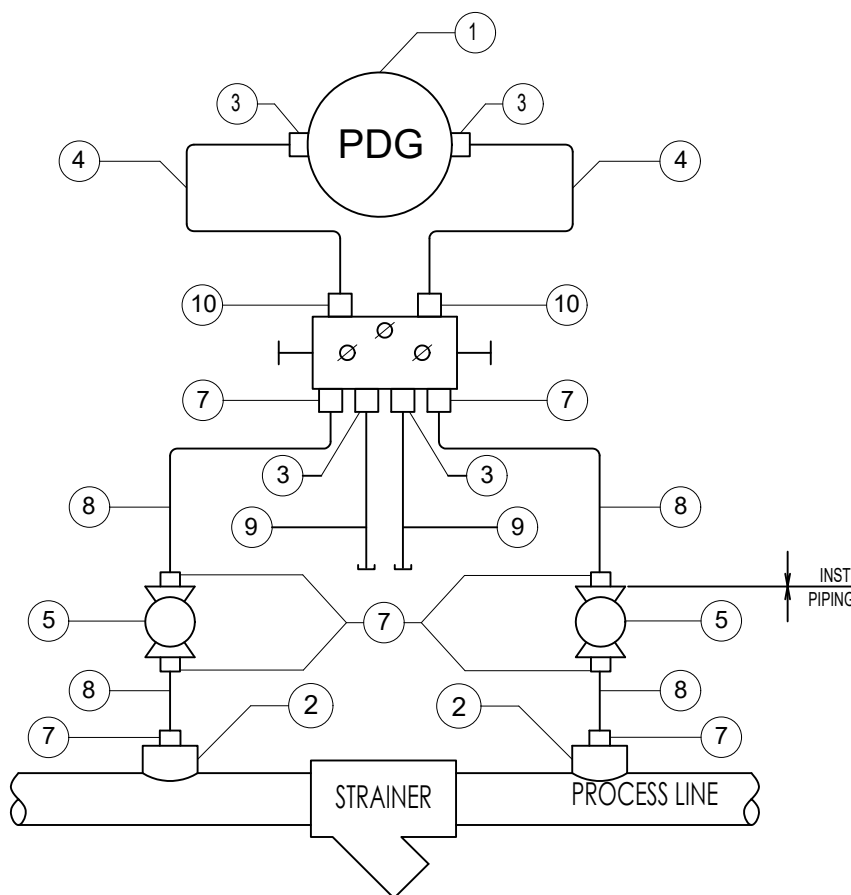
**BILL OF MATERIALS**


ITEM NO:	DESCRIPTION	MATERIAL	Q'TY
1	PRESSURE DIFFERENTIAL GAUGE	SS316	1
2	PROCESS CONNECTION 1/2" NPT-F	SS316	1
3	CONNECTOR DOUBLE COMPRESSION TYPE 1/4" NPT-M - 1/4" OD	SS316	4
4	TUBING 1/4" OD	SS316	-
5	2-WAY BALL VALVE 1/2" NPT-F	SS316	1
6	5-WAY BLOCK & BLEED MANIFOLD	SS316	1
7	CONNECTOR DOUBLE COMPRESSION TYPE 1/2" NPT-M - 1/2" OD	SS316	6
8	TUBING 1/2" OD	SS316	-
9	TUBING 1/4" OD WITH CAP	SS316	-
10	CONNECTOR DOUBLE COMPRESSION TYPE 1/2" NPT-M - 1/4" OD	SS316	2

TAG NO: PDG-10151

NO. OF INSTALLATIONS: 1

## PRESSURE DIFFERENTIAL GAUGE



	SUBJECT		INSTRUMENT HOOK UP DRAWING FOR NITROGEN COMPRESSOR		DATE	07-12-2020	THIS DRAWING IS OWNED BY AIRPACK AND SHALL NOT BE PRINTED OR COPIED IN ANY OTHER WAY THAN WITH AIRPACKS PERMISSION 01 15-11-2021 VZ 00 07-12-2020 VZ
	CLIENT	Bushehr Petrochemical Company (BUPC)		PLANT LOCATION	IRAN, DNSHORE		
	CLIENT REF	17811		SCALE	-		
	AIRPACK REF	17811-CDM		DRAWING NO.	17811-38		
		MODIFICATIONS		SHEET		01/10	

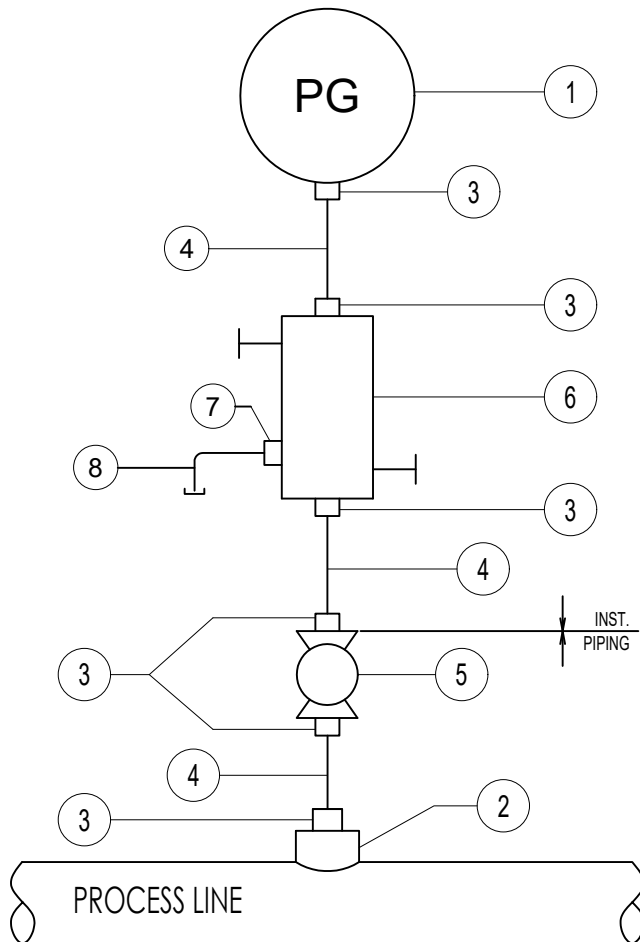
**BILL OF MATERIALS**


ITEM NO:	DESCRIPTION	MATERIAL	Q'TY
1	PRESSURE GAUGE	SS316	1
2	PROCESS CONNECTION 1/2" NPT-F	SS316	6
3	CONNECTOR DOUBLE COMPRESSION TYPE 1/2" NPT-M - 1/2" OD	SS316	1
4	TUBING 1/2" OD	SS316	-
5	2-WAY BALL VALVE 1/2" NPT-F	SS316	1
6	2-WAY BLOCK & BLEED MANIFOLD	SS316	1
7	CONNECTOR DOUBLE COMPRESSION TYPE 1/4" NPT-F - 1/4" OD	SS316	1
8	TUBING 1/4" OD WITH CAP	SS316	-

TAG NO: PG-10152 / PG-10155 / PG-10160/ PG-10161

NO. OF INSTALLATIONS: 4

## PRESSURE GAUGE



	SUBJECT		INSTRUMENT HOOK UP DRAWING FOR NITROGEN COMPRESSOR		DATE	07-12-2020	THIS DRAWING IS OWNED BY AIRPACK AND SHALL NOT BE PRINTED OR COPIED IN ANY OTHER WAY THAN WITH AIRPACKS PERMISSION 01 15-11-2021 VZ 00 07-12-2020 VZ
	CLIENT	Bushehr Petrochemical Company (BUPC)		PLANT LOCATION	IRAN, DNSHORE		
	CLIENT REF	17811		SCALE	-		
	AIRPACK REF	17811-CDM		DRAWING NO.	17811-38		
		MODIFICATIONS		SHEET		02/10	



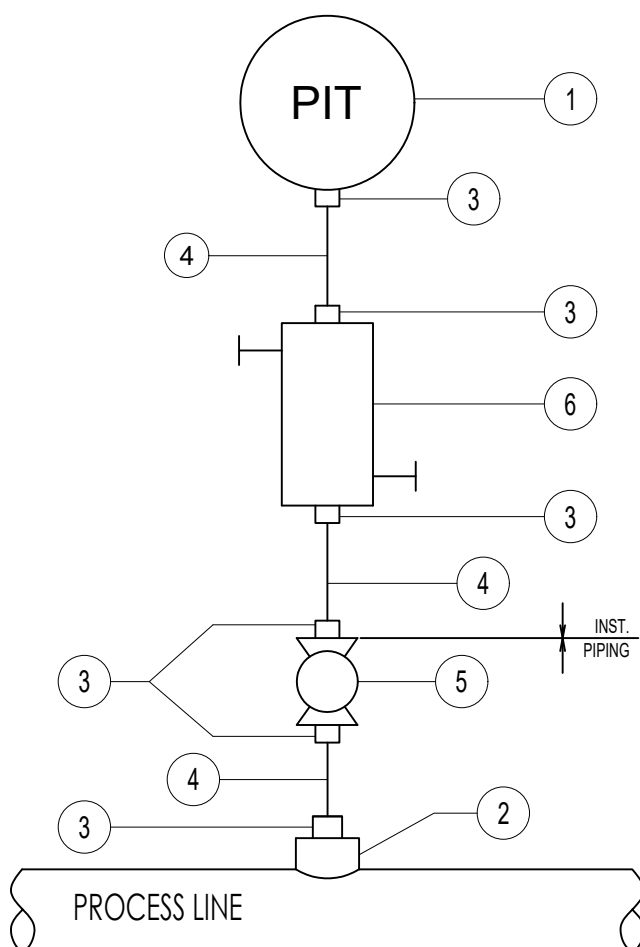
**BILL OF MATERIALS**


ITEM NO:	DESCRIPTION	MATERIAL	Q'TY
1	PRESSURE TRANSMITTER	ALUMINIUM	1
2	PROCESS CONNECTION 1/2" NPT-F	SS316	6
3	CONNECTOR DOUBLE COMPRESSION TYPE 1/2" NPT-M - 1/2" OD	SS316	1
4	TUBING 1/2" OD	SS316	-
5	2-WAY BALL VALVE 1/2" NPT-F	SS316	1
6	2-WAY BLOCK & BLEED MANIFOLD	SS316	1

TAG NO: PIT-10153 / PIT-10154 / PIT-10156 / PIT-10157 / PIT-10158 / PIT-10159

NO. OF INSTALLATIONS: 6

## PRESSURE TRANSMITTER



	SUBJECT		INSTRUMENT HOOK UP DRAWING FOR NITROGEN COMPRESSOR	DATE	07-12-2020	THIS DRAWING IS OWNED BY AIRPACK AND SHALL NOT BE PRINTED OR COPIED IN ANY OTHER WAY THAN WITH AIRPACKS PERMISSION 01 15-11-2021 VZ 00 07-12-2020 VZ
	CLIENT	Bushehr Petrochemical Company (BUPC)	PLANT LOCATION	IRAN, DNSHORE		
	CLIENT REF	17811	SCALE	-		
	AIRPACK REF	17811-COM	DRAWING NO.	17811-38		
		MODIFICATIONS		SHEET	04/10	

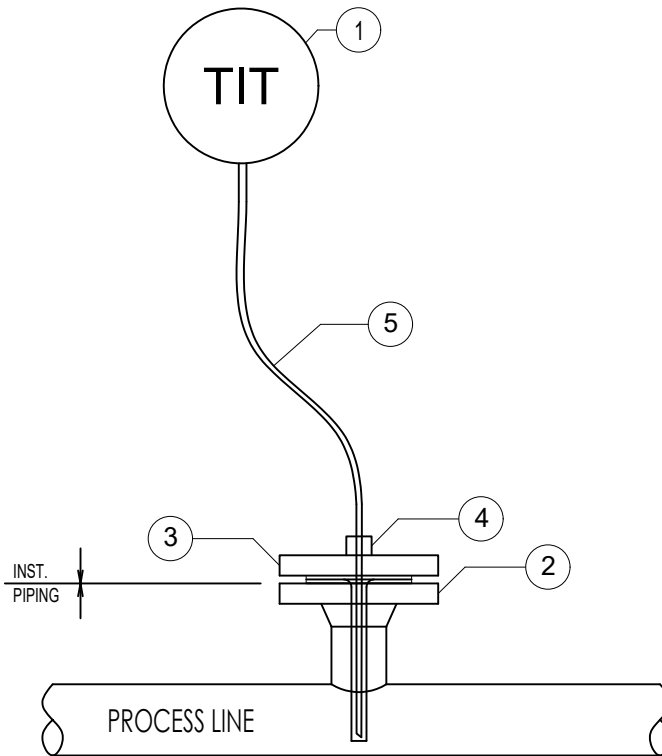
**BILL OF MATERIALS**


ITEM NO:	DESCRIPTION	MATERIAL	Q'TY
1	TEMPERATURE TRANSMITTER	ALUMINIUM	1
2	PROCESS CONNECTION 1 1/2" ANSI 300# RF	SS316	1
3	THERMOWELL 1 1/2" ANSI 300# RF	SS316	1
4	CONNECTOR DOUBLE COMPRESSION FITTING 1/2" NPT-M - 6 MM OD	SS316	1
5	CAPILARY, L=5M MOULDED TO TEMPERATURE ELEMENT	SS316	1

TAG NO: TIT-10151 / TIT-10152 / TIT-10153 / TIT-10154 / TIT-10155

NO. OF INSTALLATIONS: 4

## TEMPERATURE TRANSMITTER



	SUBJECT		INSTRUMENT HOOK UP DRAWING FOR NITROGEN COMPRESSOR		DATE	07-12-2020	THIS DRAWING IS OWNED BY AIRPACK AND SHALL NOT BE PRINTED OR COPIED IN ANY OTHER WAY THAN WITH AIRPACKS PERMISSION 01 15-11-2021 VZ 00 07-12-2020 VZ
	CLIENT	Bushehr Petrochemical Company (BUPC)		PLANT LOCATION	IRAN, DNSHORE		
	CLIENT REF	17811		SCALE	-		
	AIRPACK REF	17811-COM		DRAWING NO.	17811-38		
	MODIFICATIONS		SHEET		05/10		



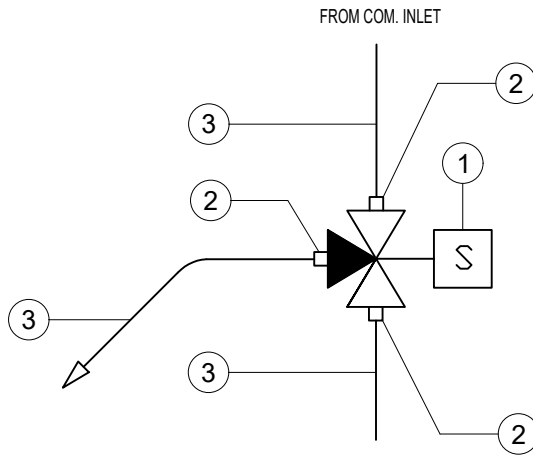
**BILL OF MATERIALS**

ITEM NO:	DESCRIPTION	MATERIAL	Q'TY
1	3-WAY SOLENOID VALVE	SS 316	1
2	CONNECTOR DOUBLE COMPRESSION TYPE 1/4" NPT-M - 1/4" OD	SS 316	3
3	TUBING 1/4" OD	SS 316	-

TAG NO: XY-10151

NO. OF INSTALLATIONS: 1

## SOLENOID VALVE



	SUBJECT		INSTRUMENT HOOK UP DRAWING FOR NITROGEN COMPRESSOR		DATE	07-12-2020	THIS DRAWING IS OWNED BY AIRPACK AND SHALL NOT BE PRINTED OR COPIED IN ANY OTHER WAY THAN WITH AIRPACKS PERMISSION				
	CLIENT	Bushehr Petrochemical Company (BUPC)		PLANT LOCATION	IRAN, DNSHORE	CHECKED BY		KP			
	CLIENT REF	17811		SCALE	-				01	15-11-2021	VZ
	AIRPACK REF	17811-COM		DRAWING NO.	17811-38				00	07-12-2020	VZ
								MODIFICATIONS	SHEET	07/10	

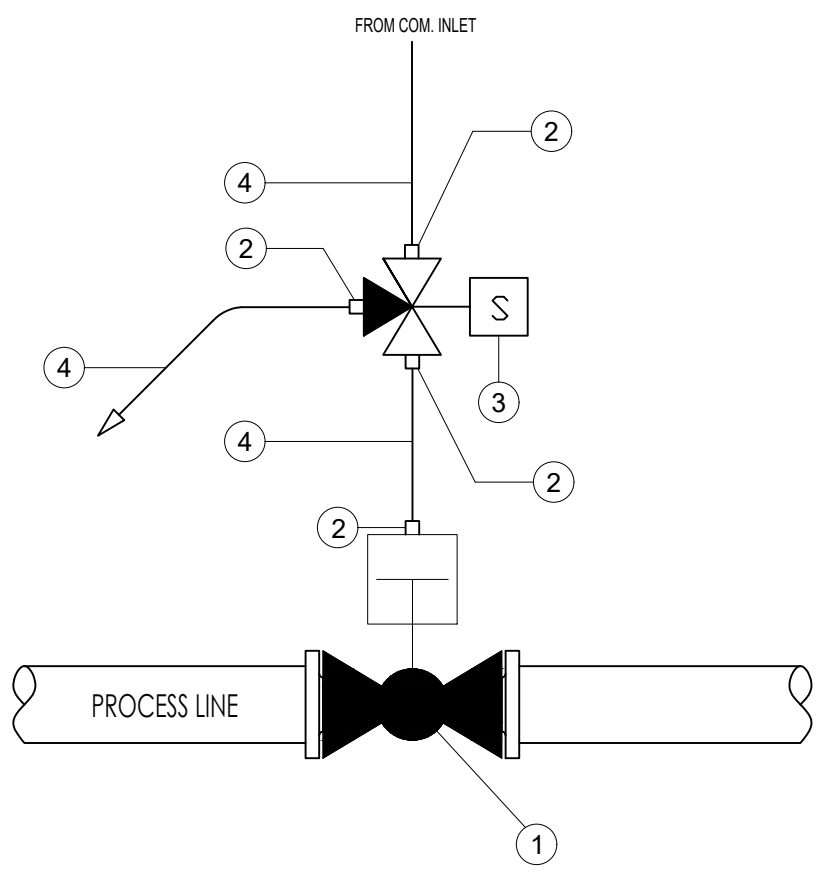
**BILL OF MATERIALS**

ITEM NO:	DESCRIPTION	MATERIAL	Q'TY
1	2-WAY BALL VALVE 1 1/2" ANSI 150# RF	SS 316	1
2	CONNECTOR DOUBLE COMPRESSION TYPE 1/4" NPT-M - 1/4" OD	SS 316	4
3	3-WAY SOLENOID VALVE	SS 316	1
4	TUBING 1/4" OD	SS 316	-

TAG NO: XV-10152  
XY-10152

NO. OF INSTALLATIONS: 2

## PNEUMATIC OPERATED BALL VALVE



SUBJECT		INSTRUMENT HOOK UP DRAWING FOR NITROGEN COMPRESSOR		DATE	07-12-2020	THIS DRAWING IS OWNED BY AIRPACK AND SHALL NOT BE PRINTED OR COPIED IN ANY OTHER WAY THAN WITH AIRPACKS PERMISSION			
CLIENT	Bushehr Petrochemical Company (BUPC)	PLANT LOCATION	IRAN, DNSHORE	DRAWN BY	WZ		01	15-11-2021	VZ
CLIENT REF	17811	SCALE	-	CHECKED BY	KP		00	07-12-2020	VZ
AIRPACK REF	17811-COM	DRAWING NO.	17811-38	MODIFICATIONS			SHEET 08/10		

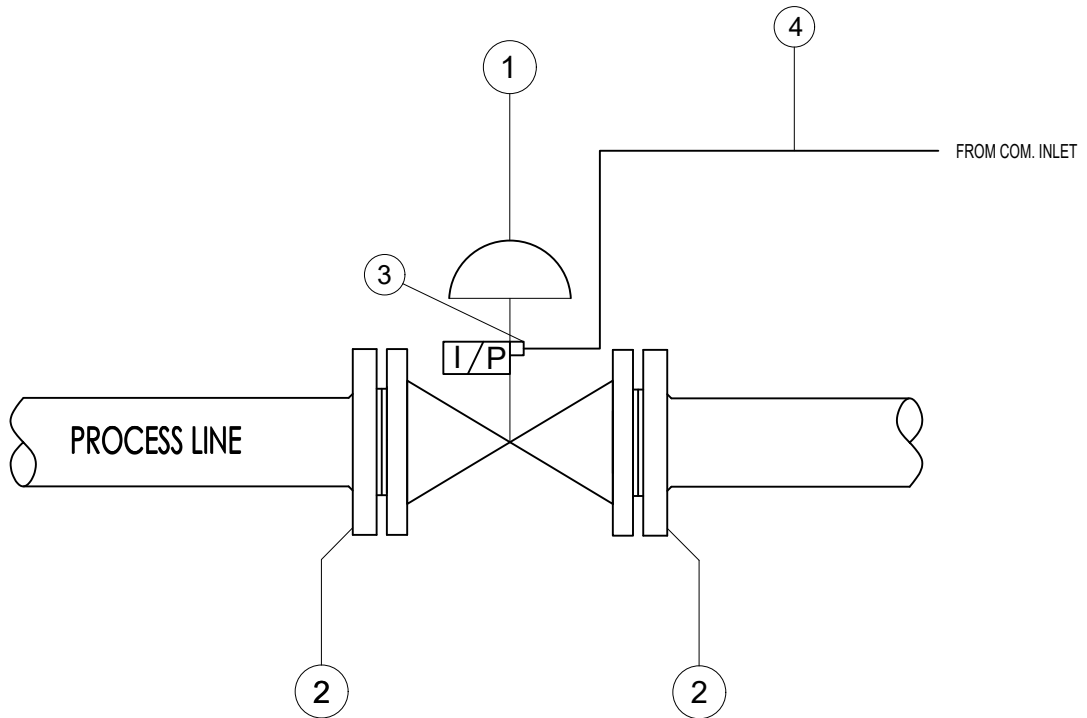
**BILL OF MATERIALS**


ITEM NO:	DESCRIPTION	MATERIAL	Q'TY
1	PRESSURE CONTROL VALVE 1" ANSI 300# RF	SS 316	1
2	FLANGE 1" ANSI 300# RF	SS 316	1
3	CONNECTOR DOUBLE COMPRESSION TYPE 1/4" NPT-M - 1/4" OD	SS 316	1
4	TUBING 1/4" OD	SS 316	1

TAG NO: PV-10151

NO. OF INSTALLATIONS: 1

**PRESSURE RECYCLE VALVE**



	SUBJECT		INSTRUMENT HOOK UP DRAWING FOR NITROGEN COMPRESSOR		DATE	07-12-2020	THIS DRAWING IS OWNED BY AIRPACK AND SHALL NOT BE PRINTED OR COPIED IN ANY OTHER WAY THAN WITH AIRPACKS PERMISSION			
	CLIENT	Bushehr Petrochemical Company (BUPC)		PLANT LOCATION	IRAN, DNSHORE					
	CLIENT REF	17811		SCALE	-					
	AIRPACK REF	17811-COM		DRAWING NO.	17811-38					
							MODIFICATIONS	SHEET	09/10	

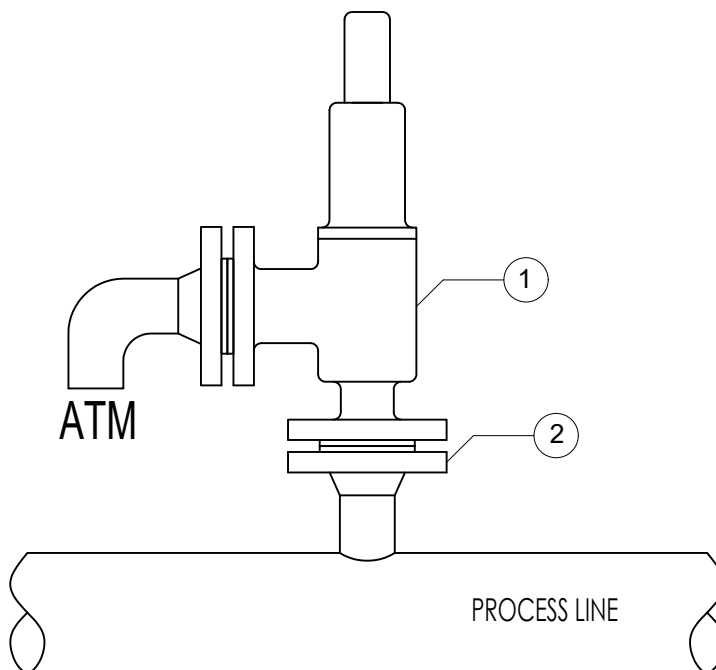
**BILL OF MATERIALS**


ITEM NO:	DESCRIPTION	MATERIAL	Q'TY
1	PRESSURE SAFETY VALVE 1" ANSI 300# RF / ... / VTA" ANSI 150# RF	SS 316	1
2	PROCESS CONNECTION 1" ANSI 150# RF	SS 316	1

TAG NO: PSV-10151 / PSV-10152 / PSV-10153

NO. OF INSTALLATIONS: 3

## PRESSURE SAFETY VALVE



	SUBJECT		INSTRUMENT HOOK UP DRAWING FOR NITROGEN COMPRESSOR		DATE	07-12-2020	THIS DRAWING IS OWNED BY AIRPACK AND SHALL NOT BE PRINTED OR COPIED IN ANY OTHER WAY THAN WITH AIRPACKS PERMISSION 01 15-11-2021 VZ 00 07-12-2020 VZ			
	CLIENT	Bushehr Petrochemical Company (BUPC)		PLANT LOCATION	IRAN, DNSHORE					
	CLIENT REF	17811		SCALE	-					
	AIRPACK REF	17811-COM		DRAWING NO.	17811-38			MODIFICATIONS	SHEET	10/10