






OWNER:  شرکت مست و سویی گیس ایرانیان (سهامی خاص)	<b>BUSHEHR PETROCHEMICAL COMPANY MEG PLANT</b>							EPC CONTRACTOR:  Chagalesh-Enerchimi-Steam Joint Venture BUPC-MEG PLANT PROJECT	
	<b>COMPRESSOR MOTOR OUTLINE DRAWING &amp; TERMINAL BOX WIRING DIAGRAM FOR NITROGEN GAS BOOSTER</b>							 Netherlands	
MC :   شرکت مست و سویی گیس ایرانیان (سهامی خاص)	Project	Area	Phase	Unit	Dis.	Doc.	Seq.	Contract No: 52-98/445	
Owner Document Number: 17811-39A	BU	20	VD	303	EL	DWG	0053	Rev.:	Page
								01	1 of 5

## COMPRESSOR MOTOR OUTLINE DRAWING & TERMINAL BOX WIRING DIAGRAM FOR NITROGEN GAS BOOSTER

01	10/12/2021	For approval		KP	LdM	JR		
00	08/12/2020	For approval		KP	LdM	JR		
Rev.	Date	Purpose of Issue		Prepared	Checked	Approved	AC Code	
							Class: 1	Phase: P

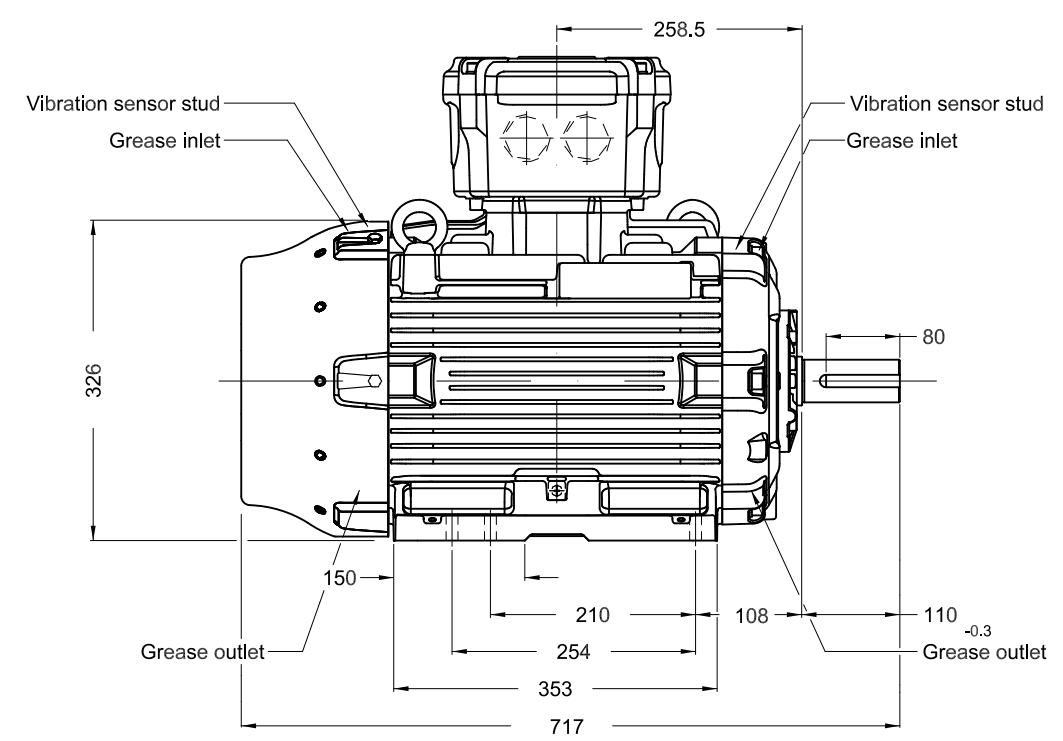
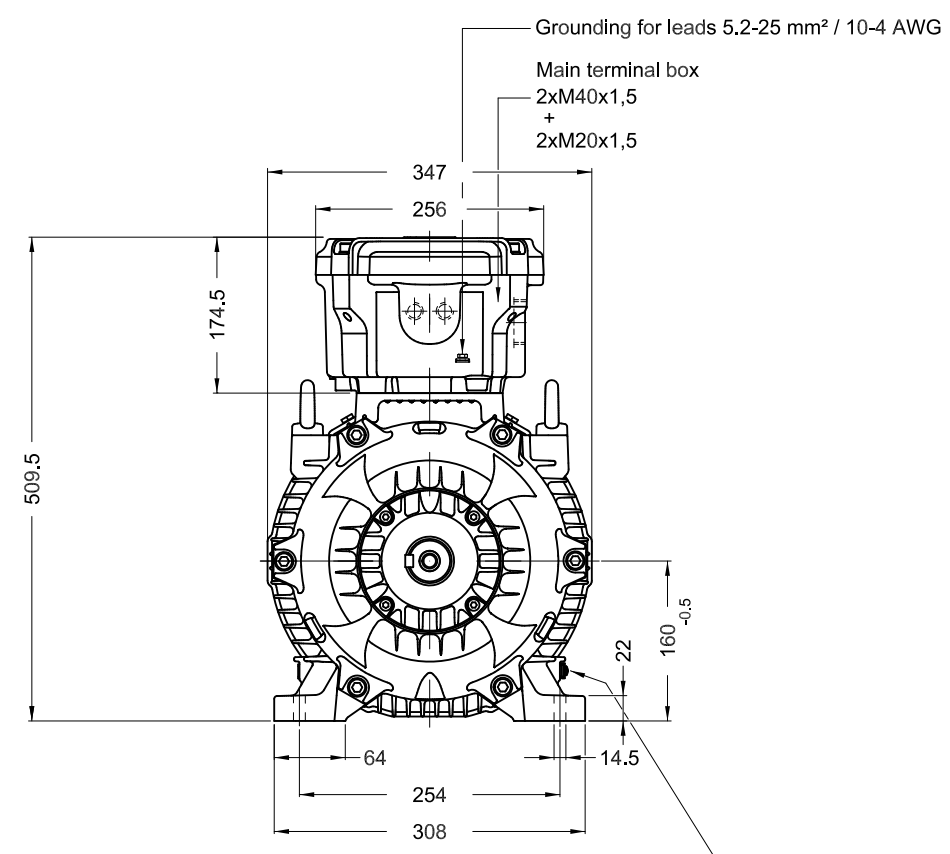


1 2 3 4 5 6

A

B

C

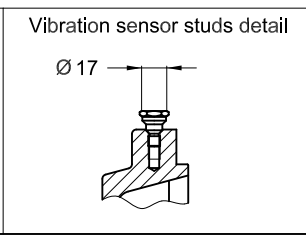
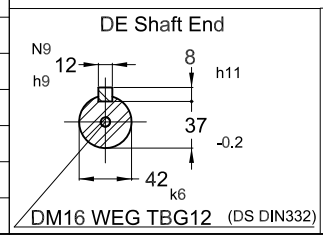


Grounding for leads 5.2-25 mm² / 10-4 AWG

D

E

- Tropicalized internal painting
- DE roller bearing
- Shaft locking device
- Shaft material - AISI/SAE 4140
- SPM studs
- Color RAL 5010
- Painting plan 205P
- Mounting B3T



15 kW 04 Poles 50 Hz A

AIRPACK B.V.

ECM		LOC	DOCUMENTO NOVO 419034292	MIRIANEV	WILLIANR	SIMONETTI	06.12.2021	01		
EXECUTED			SUMMARY OF MODIFICATIONS			EXECUTED	CHECKED	RELEASED	DATE	VER
EXECUTED	PIRWBUSER		THREE PH. MOTOR W22Xdb IE4			1233471934				
CHECKED	NMAGNO		FRAME 160M/L IP56 TEFC			WDD   01				
RELEASED	NMAGNO					SHEET 1 / 1				
REL DT.	23.11.2021	WMO	Jaragua do Sul	Product Engineering						

CERTIFIED WEG MOTORES - Certified document. Not subject to changes.

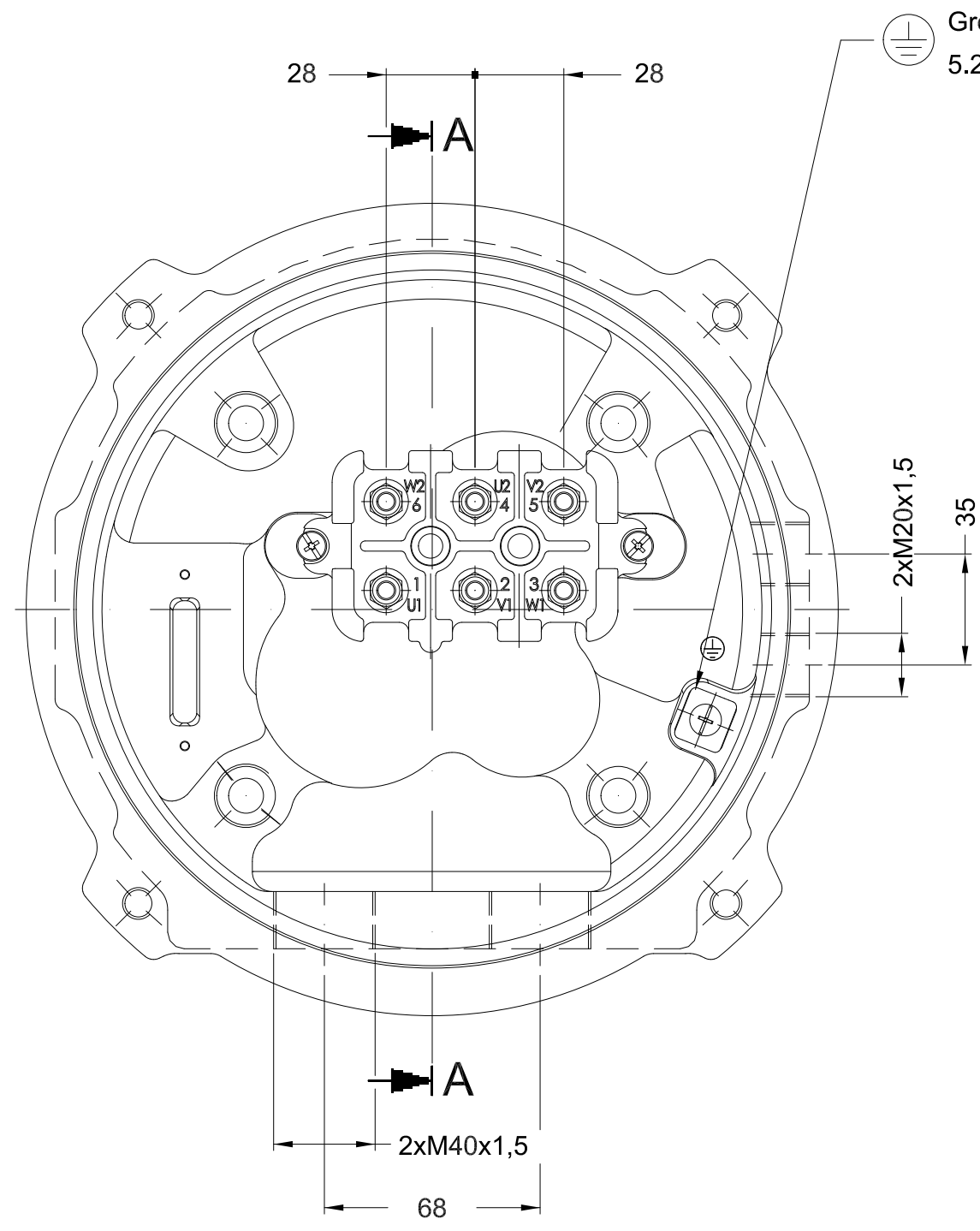
Dimensions in mm

XME A3

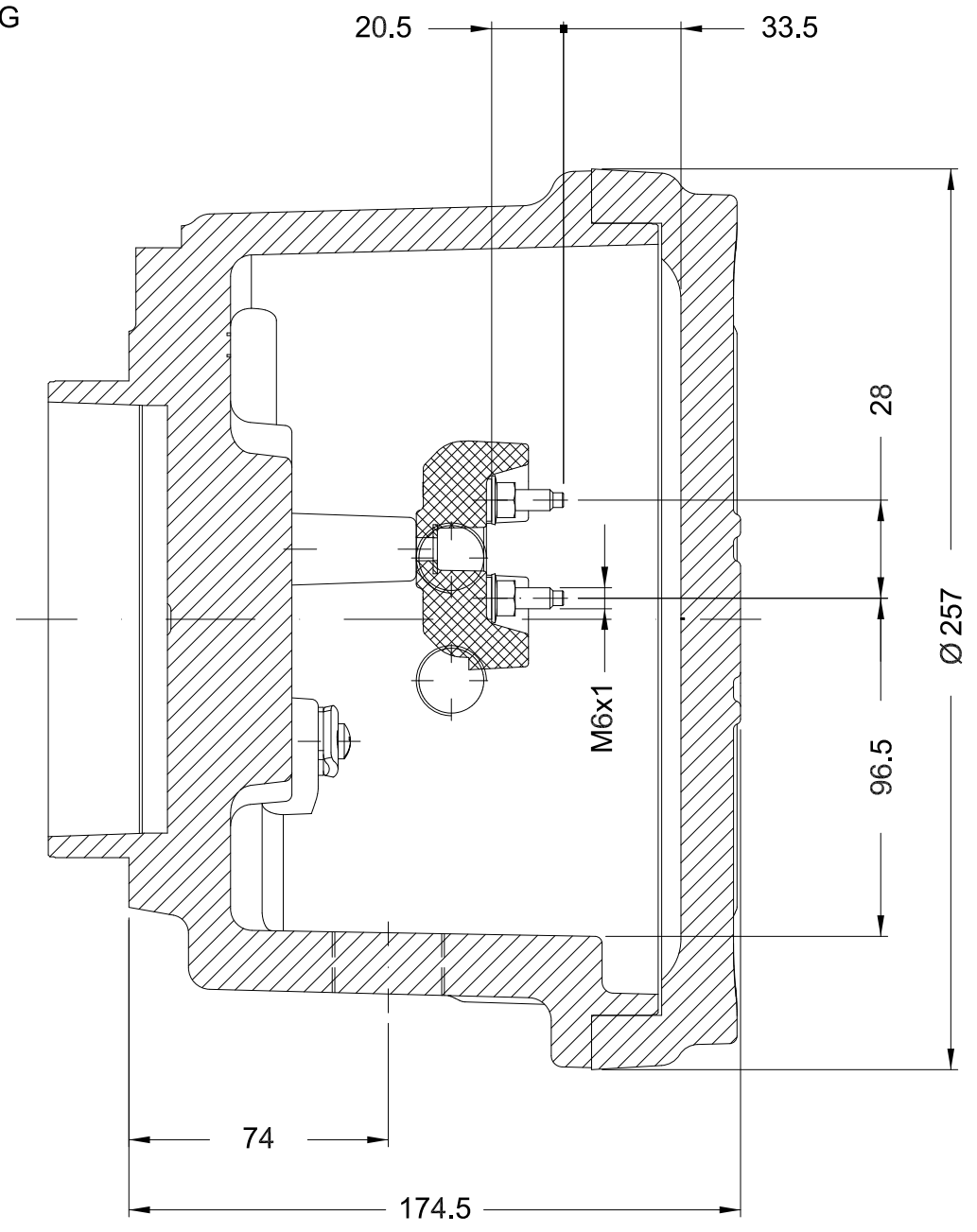
1 2 3 4 5 6

Dimensional drawing subject to change. We reserve the right to change constructional details.  
 \* Detail out of scale.

A  
B  
C  
D  
E



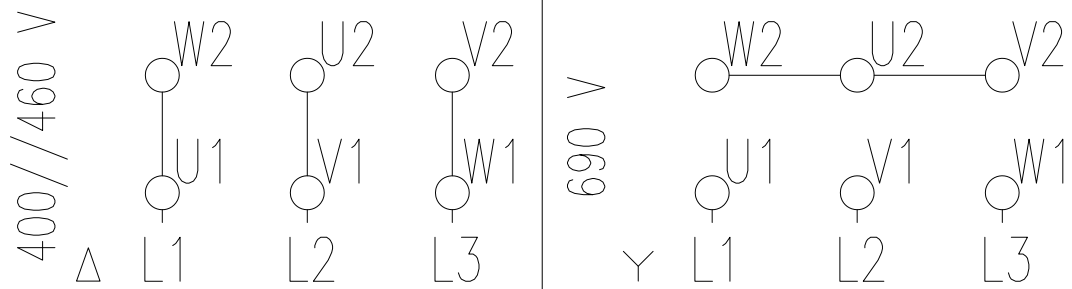
Grounding  
 5.2-25mm<sup>2</sup> / 10-4AWG



Section A-A

						ESC	1:2		
ECM	LOC	SUMMARY OF MODIFICATIONS			EXECUTED	CHECKED	RELEASED	DATE	VER
EXECUTED	YDAMHUIS	MAIN TERMINAL BOX FRAME 160M/L			PREVIEW				
CHECKED					WCD				
RELEASED					SHEET				
REL DT.					01 / 03				

THIS IS AN UPDATED REVISION, THE PREVIOUS ONE MUST BE DISREGARDED.



A

B

C

D

E

		ORIGINAL ISSUE		JESSICA	PATRICIA	CASTELLA	30.10.2018	00
ECM ECM	LOC LOC	RESUMO MODIFICAÇÃO SUMMARY OF MODIFICATIONS		EXECUTADO EXECUTED	VERIFICADO CHECKED	LIBERADO RELEASED	DATA DATE	VER VER
EXEC. /EXECUTED	JESSICA		LOW VOLTAGE - CONNECTION DIAGRAM		400/690//460-6			
VERIF. /CHECKED	PATRICIA		400/690//460V		IEC   00			
LIBER. /RELEASED	CASTELLA		MOTOR WITH 06 CABLES					
DATA LB /REL DT	30.10.2018	WMO	JARAGUÁ DO SUL	ADMINISTRAÇÃO DE VENDAS	FOLHA /SHEET	1 / 1		