




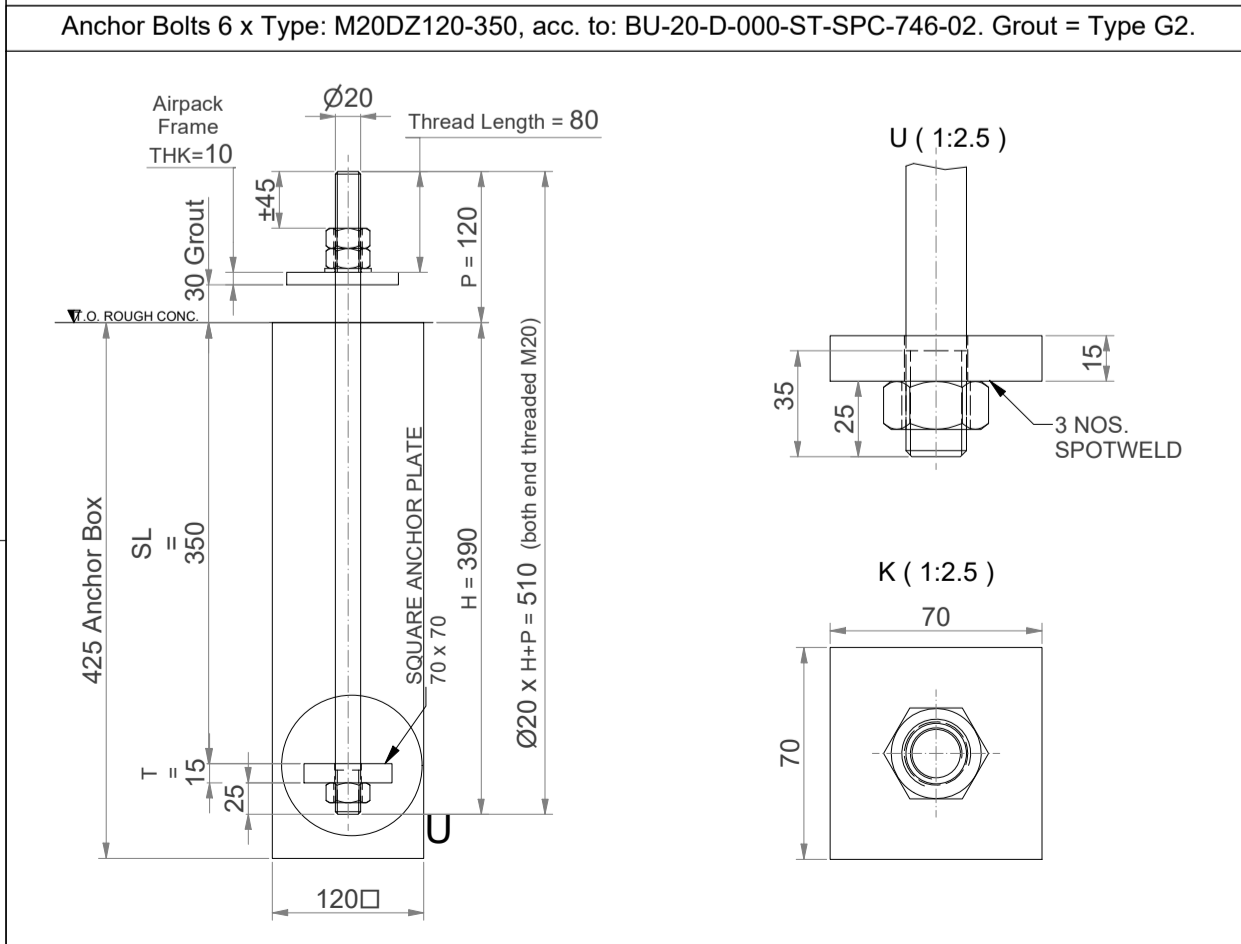
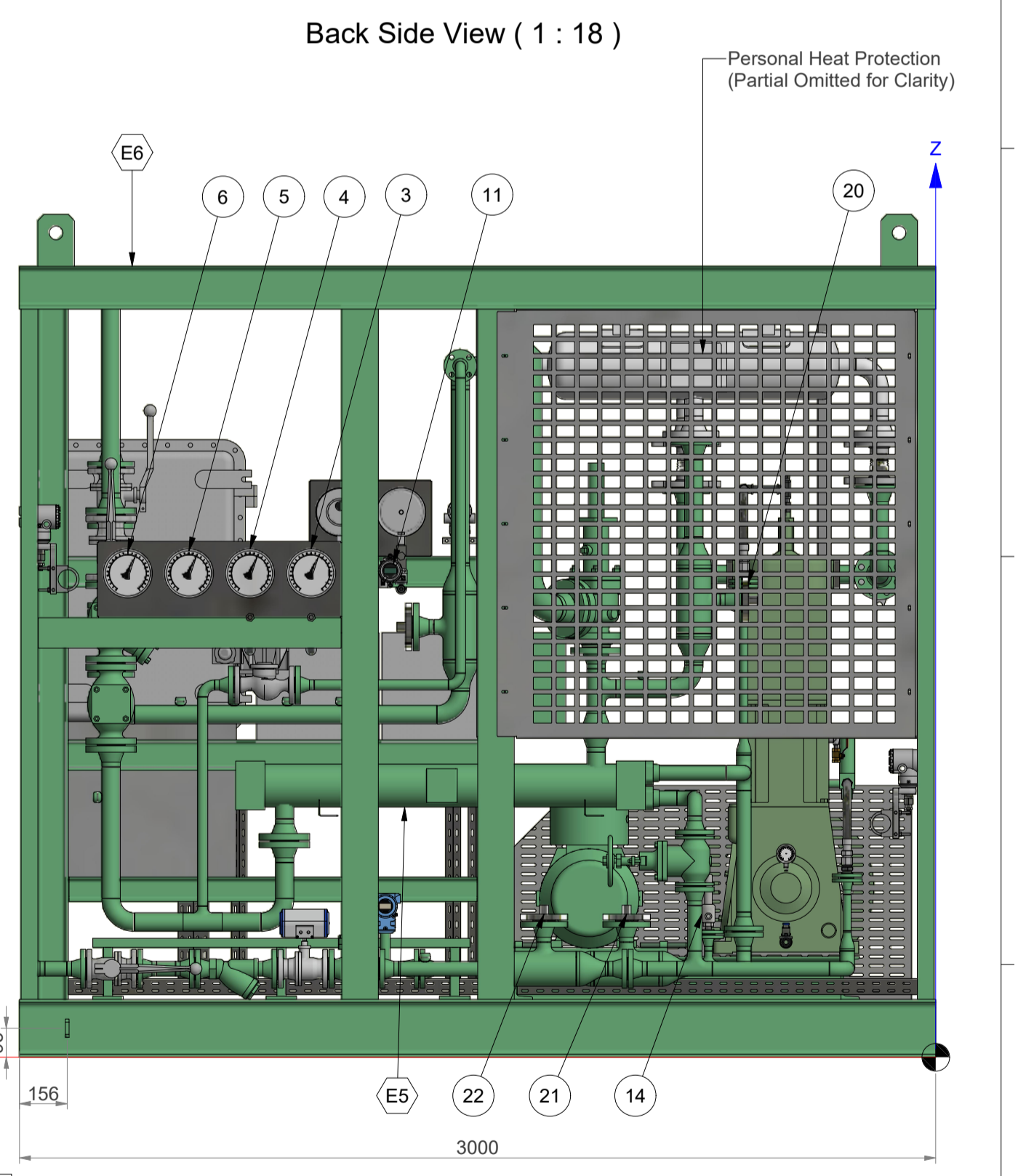
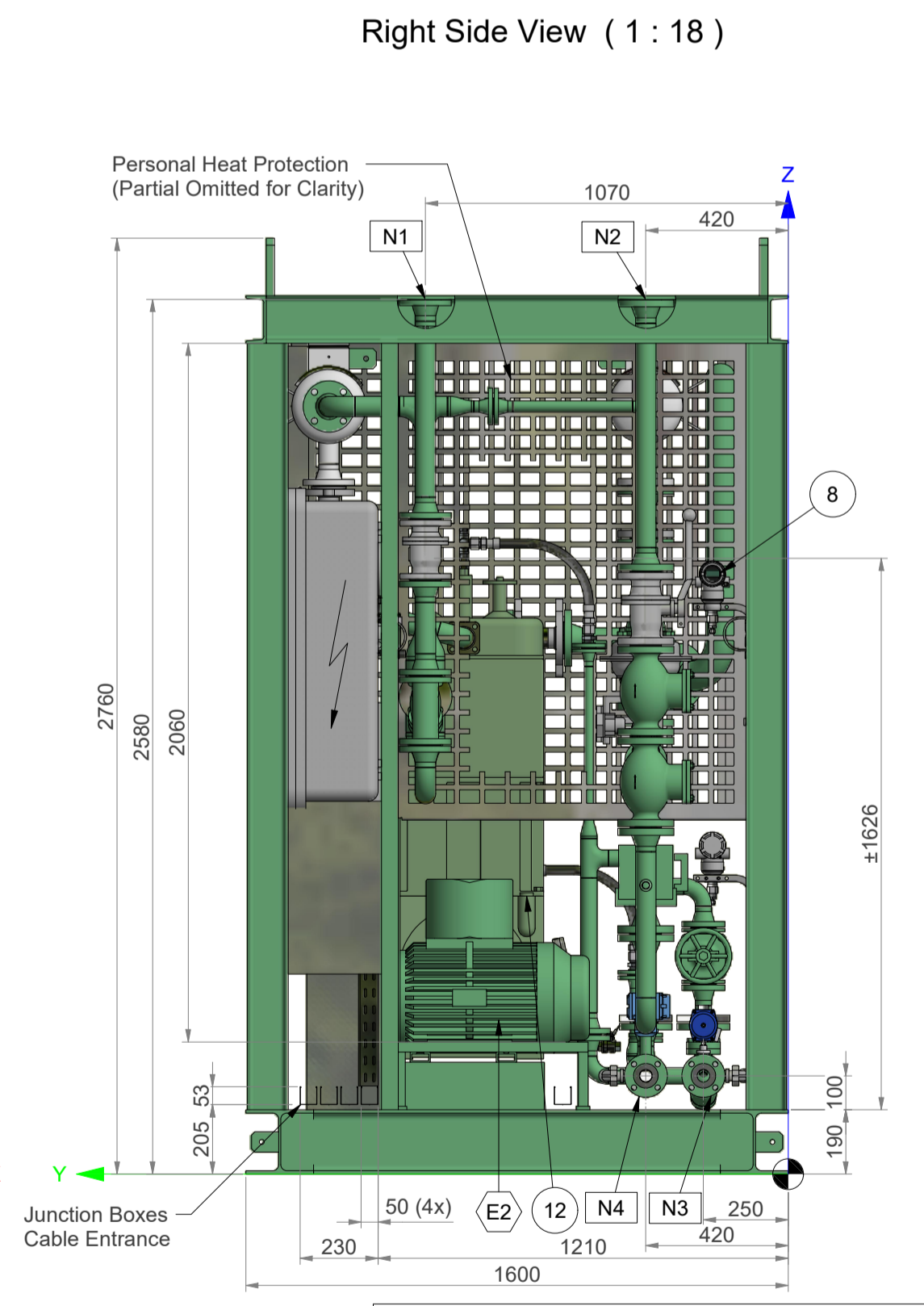
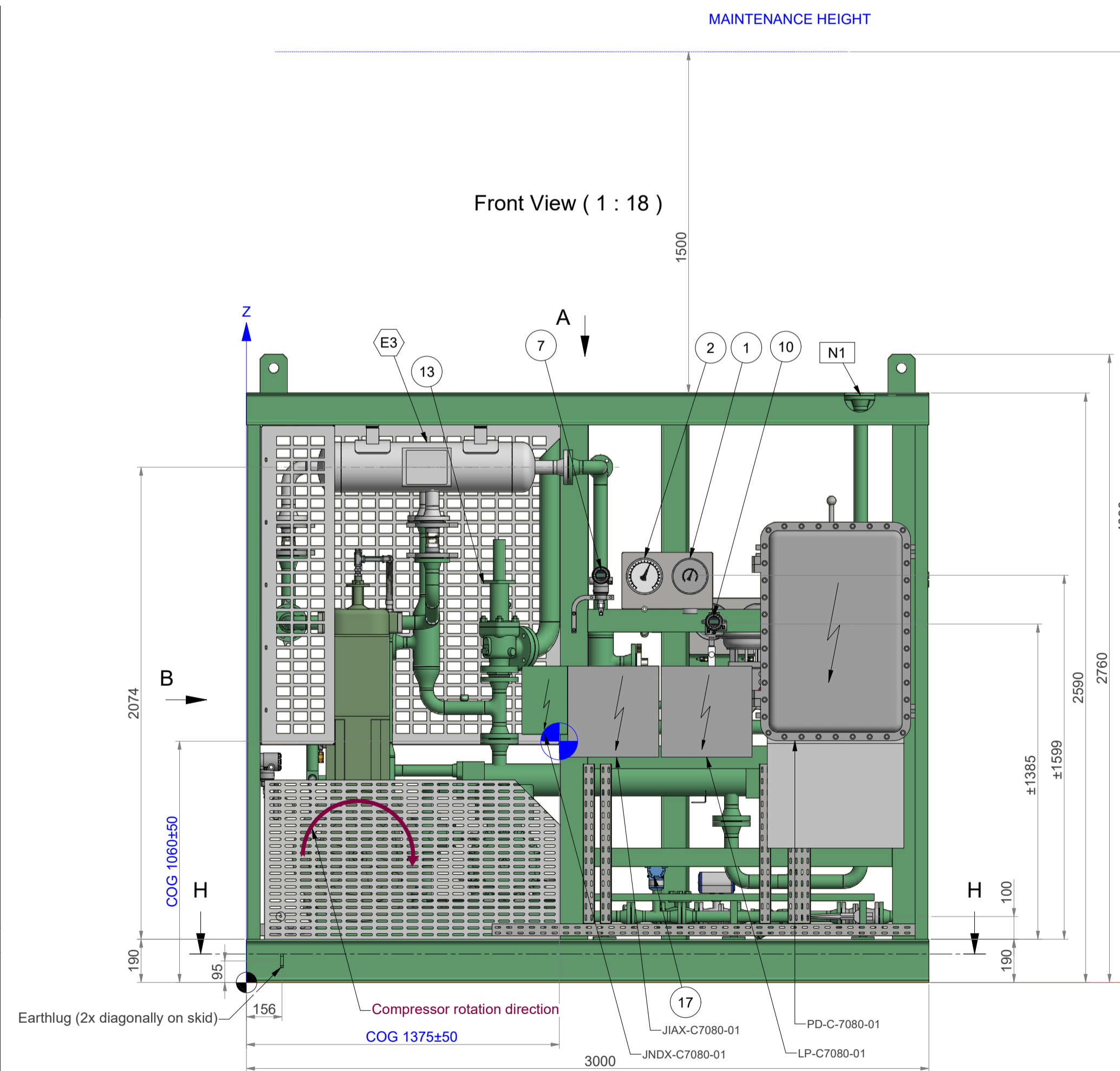
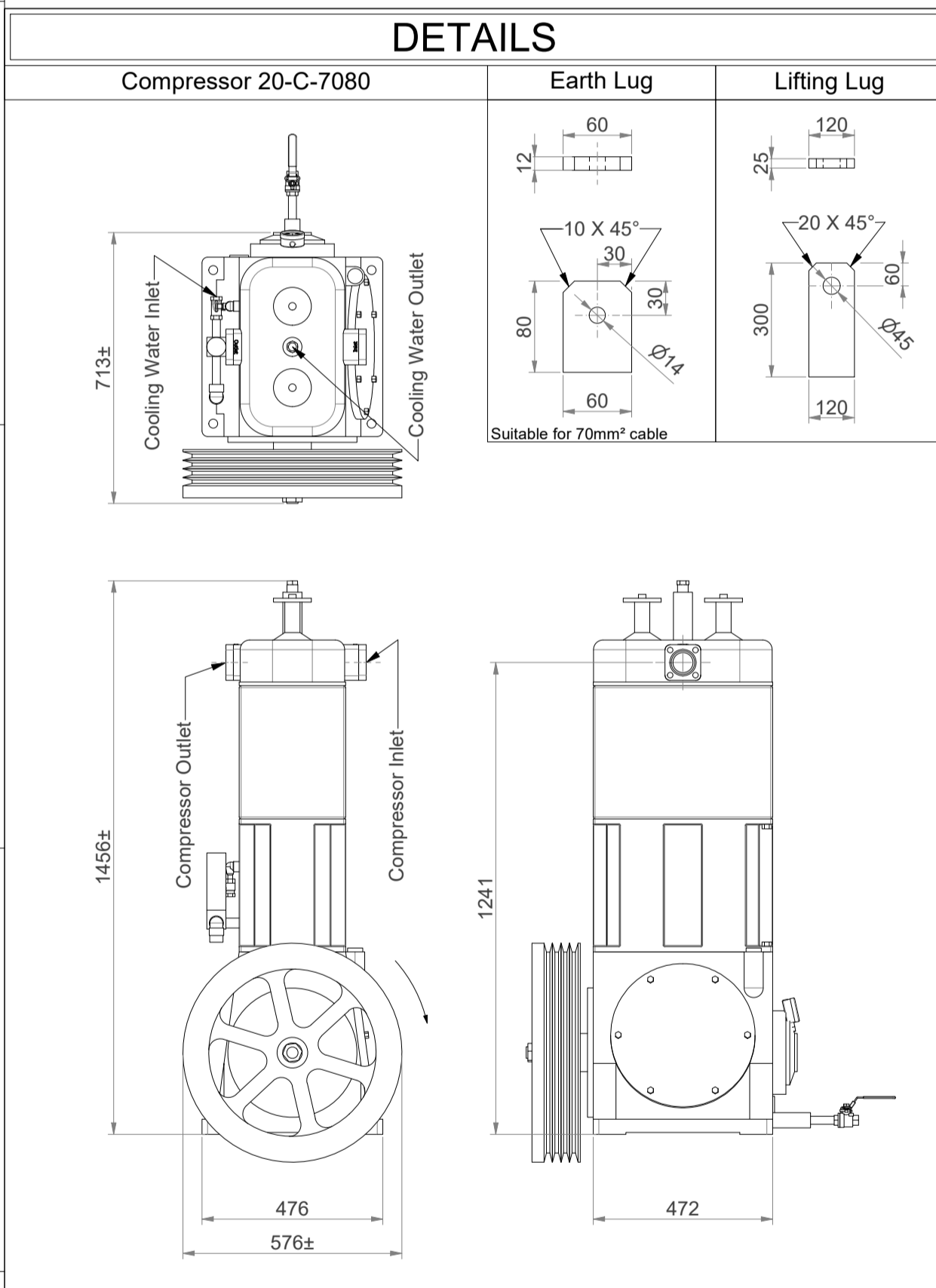
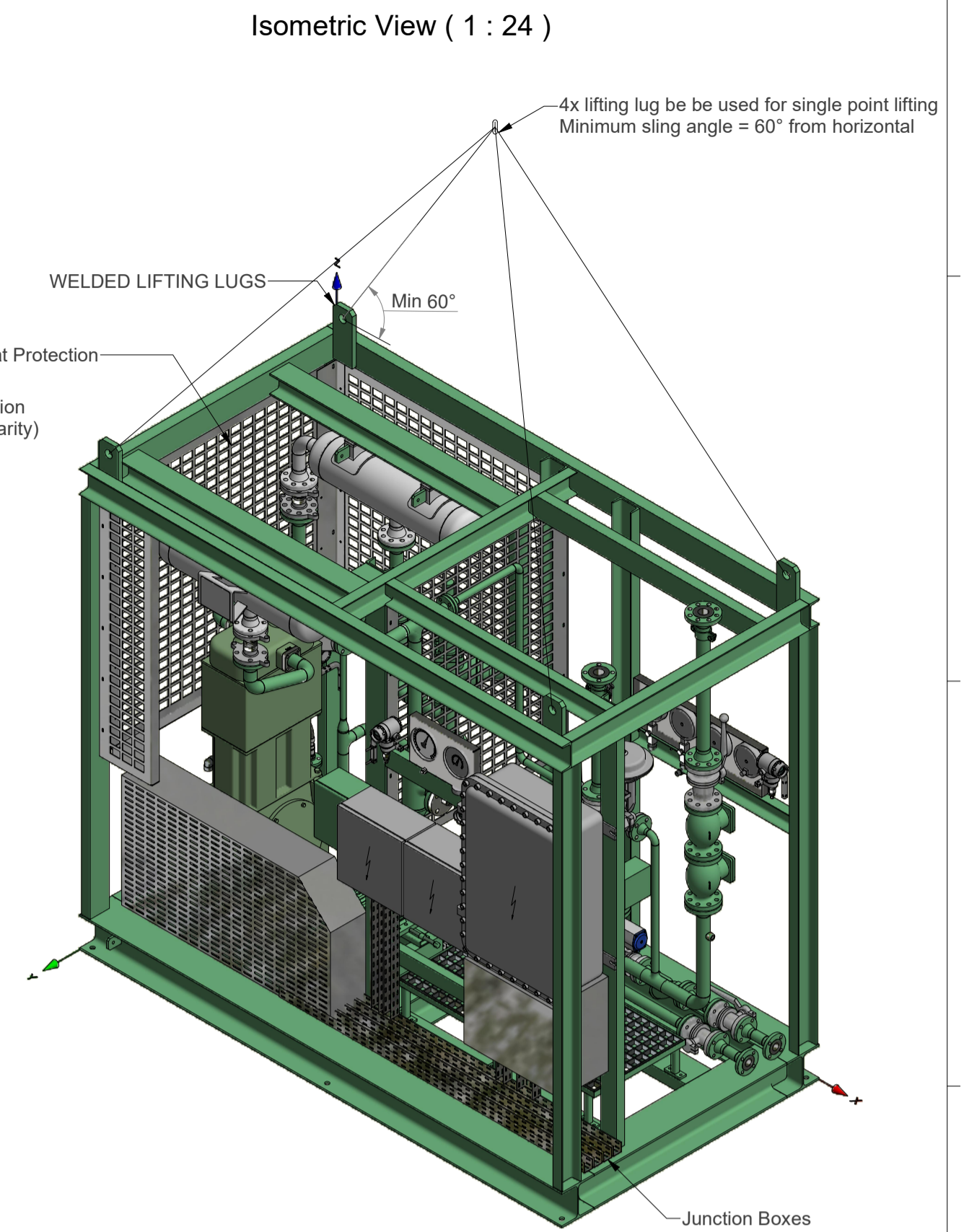
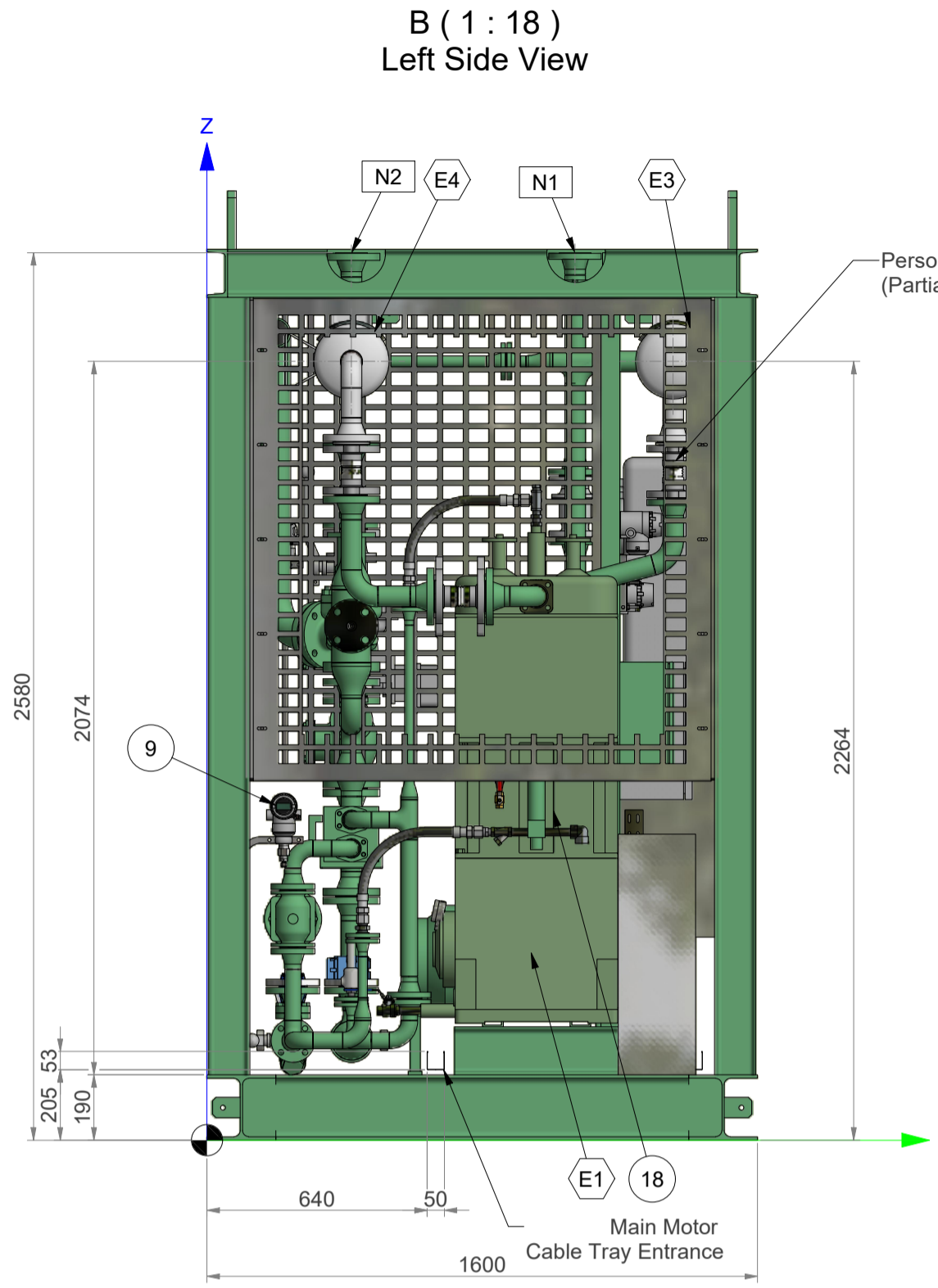
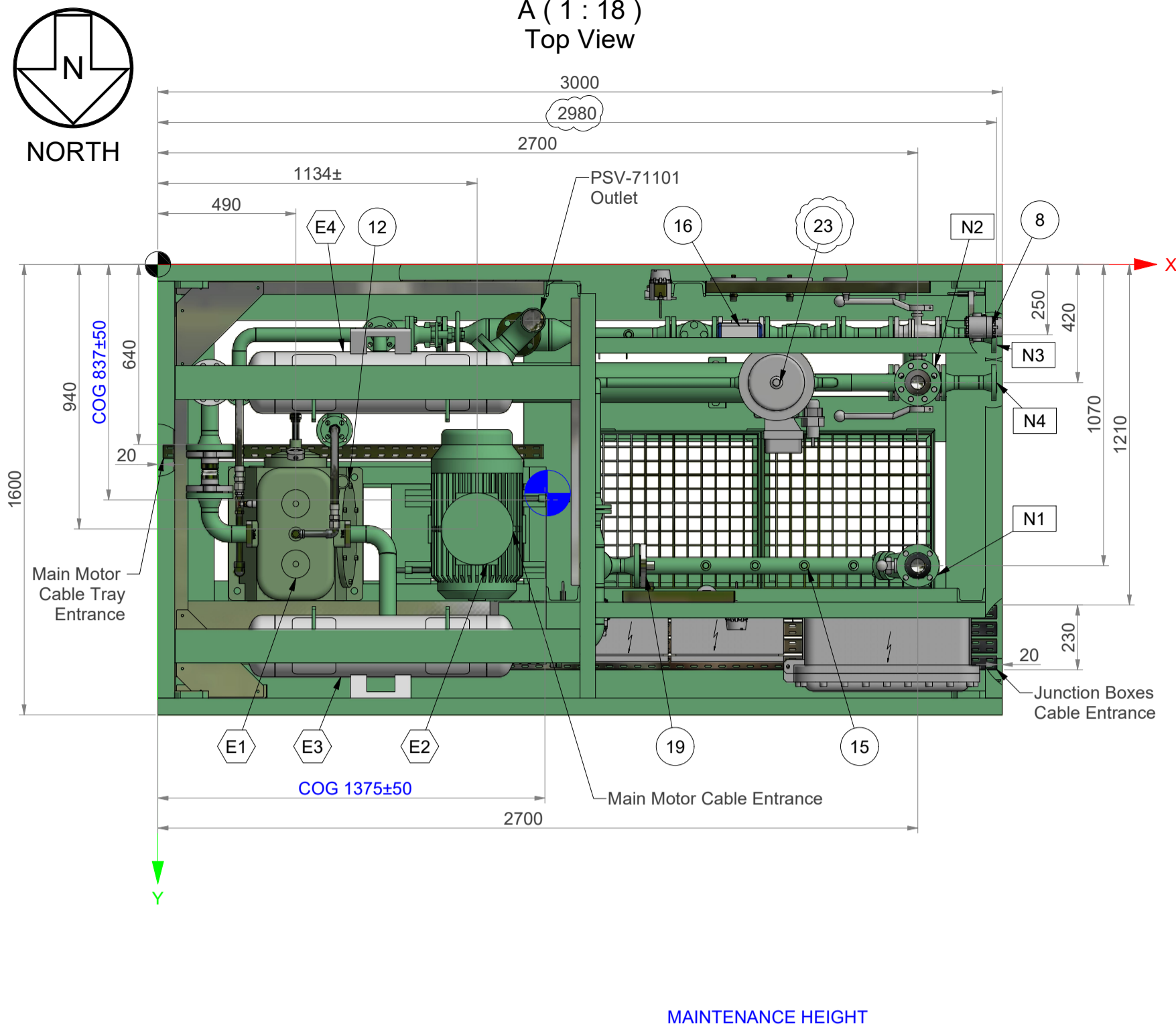
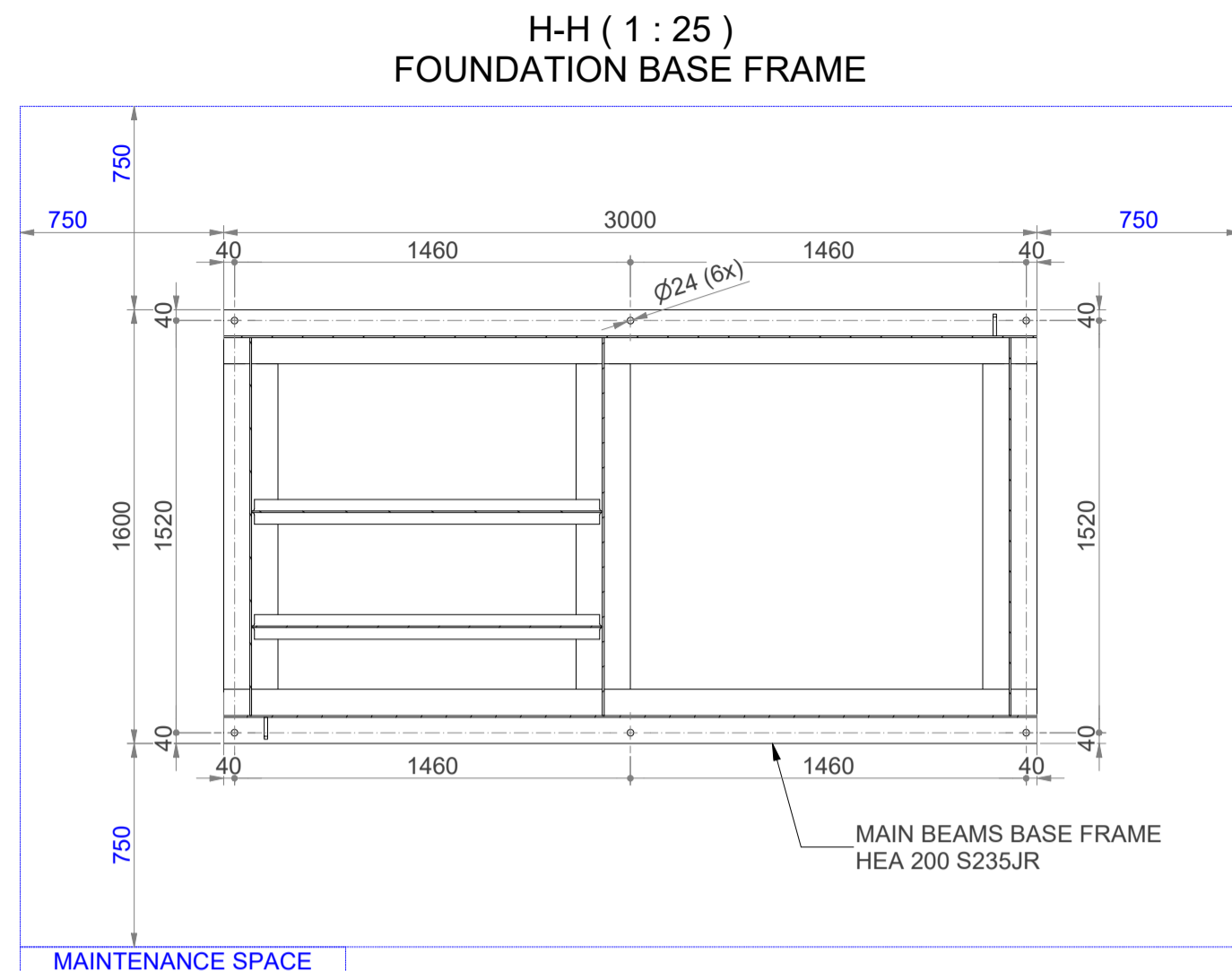


OWNER:  شرکت مست و سوی توهر ایرانیاان (سهایی ناس)	BUSHEHR PETROCHEMICAL COMPANY MEG PLANT						EPC CONTRACTOR:  Chagalesh-Enerehimi-Steam Joint Venture BUPC-MEG PLANT PROJECT		
	GENERAL ARRANGEMENT DRAWING FOR EMERGENCY INSTRUMENT AIR COMPRESSOR								
MC :  شرکت مست و سوی توهر ایرانیاان (سهایی ناس)							Project	Area	Phase
Owner Document Number: 17811-04B	BU	20	VD	303	ME	DWG	0076	Rev.:	Page
								07	1 of 3

GENERAL ARRANGEMENT DRAWING FOR EMERGENCY INSTRUMENT AIR COMPRESSOR

07	19/01/2022	Approved for Construction	FvT	KP	PW	
06	23/11/2021	Approved for Construction	AV	KP	PW	
05	06/10/2021	For approval	AV	KP	PW	
04	12/08/2021	For approval	AV	KP	PW	
03	30/06/2021	For approval	AV	KP	PW	
02	12/01/2021	For approval	AV	KP	PW	
01	23/11/2020	For approval	AV	KP	PW	
00	30/10/2020	For approval	AV	KP	PW	
Rev.	Date	Purpose of Issue	Prepared	Checked	Approved	AC Code
					Class: 1	Phase: 



INSTRUMENT DATA			INSTRUMENT DATA		
Identification nr.	DEVICE	Tag Nr. Instrument Air Comp.	Identification nr.	DEVICE	Tag Nr. Instrument Air Comp.
1	Diff. Pressure Gauge	PDG-71101	13	Pressure Safety Valve	PSV-71101
2	Pressure Gauge	PG-71102	14	Pressure Safety Valve	PSV-71102
3	Pressure Gauge	PG-71105	15	Solenoid	XY-71101
4	Pressure Gauge	PG-71106	16	Solenoid	XY-71102
5	Temperature Gauge	TG-71103	17	Flow Transmitter	FT-71101
6	Temperature Gauge	TG-71104	18	Vibration Transmitter	VT-71101
7	Pressure Transmitter	PIT-71103	19	Thermowell	TW-71101
8	Pressure Transmitter	PIT-71107	20	Thermowell	TW-71102
9	Pressure Transmitter	PIT-71104	21	Thermowell	TW-71103
10	Temperature Transmitter	TIT-71101	22	Thermowell	TW-71104
11	Temperature Transmitter	TIT-71102	23	Pressure Valve	PV-71101
12	Level Gauge	LG-71101			

EQUIPMENT DATA									
Identification nr.	Description	Maintenance Weight (Kg) ±	Tag Nr.	Nitrogen Comp.					
E1	Compressor	570	20-C-7080						
E2	Main Motor	211	20-C-7080-M						
E3	Pulsation Damper Inlet	65	20-DC-7080-1						
E4	Pulsation Damper Outlet	70	20-DC-7080-2						
E5	After Cooler	75	20-AEC-7080-1						
E6	Skid Construction Frame	1100	-						

JUNCTION BOX DATA									
Nr.	Description	X	Y	Z					
JNDX-C7080-01	JB Solenoid Valves	1311	1355	1090					
JIAX-C7080-01	JB Analog	1613	1410	990					
LP-C7080-01	Local Control Panel	2023	1410	990					
PD-C7080-01	Power Distribution Board	2590	1551	590					

NOZZLE DATA														
Tie - In Point	Nozzle	Size	Rating	Type	Material	Max. allowable nozzle loads (mm)								
						FH	FA	FV	MH	MA	MV	X	Y	Z
Air/Nitrogen Inlet	N1	2" ANSI/ASME Sch80	150#	WN-RF	A/SA105N	2	2	2	0.9	2	0.9	2700	1070	2580
Air/Nitrogen Outlet	N2	2" ANSI/ASME Sch80	300#	WN-RF	A/SA105N	2	2	2	0.9	2	0.9	2700	420	2580
Cooling Water Inlet	N3	1 1/2" ANSI/ASME Sch80	150#	WN-RF	A/SA105N	1.5	1.5	1.5	0.5	1.5	0.5	2980	250	290
Cooling Water Outlet	N4	1 1/2" ANSI/ASME Sch80	150#	WN-RF	A/SA105N	1.5	1.5	1.5	0.5	1.5	0.5	2980	420	290

Compressor tag no.: 20-C-7080
Capacity: 43 Nm³/hr
Pressure: 21 bar(a)
Motor power: 15 kW

ESTIMATED OPERATIONAL WEIGHT = 3.500 kg
HEAVIEST MAINTENANCE PART = 211 kg
ESTIMATED STATIC LOAD = 34.3kN
DYNAMIC LOAD IS NEGLIGIBLE DUE TO THE SIZE OF THE BASE FRAME.
OPERATIONAL FREQUENCY = 23 Hz

NOZZLE COORDINATES

FOOTPRINT of INSTRUMENT AIR COMPRESSOR PACKAGE 20-C-7080

Client: Bushehr Petrochemical Company (BUPC)

Client Ref: MEG20-PO-BP303-021

Project: AIRPACK

Scale: 1:24

17811-COM

17811-Footprint-Air Comp-1

Sheet 1 of 1