



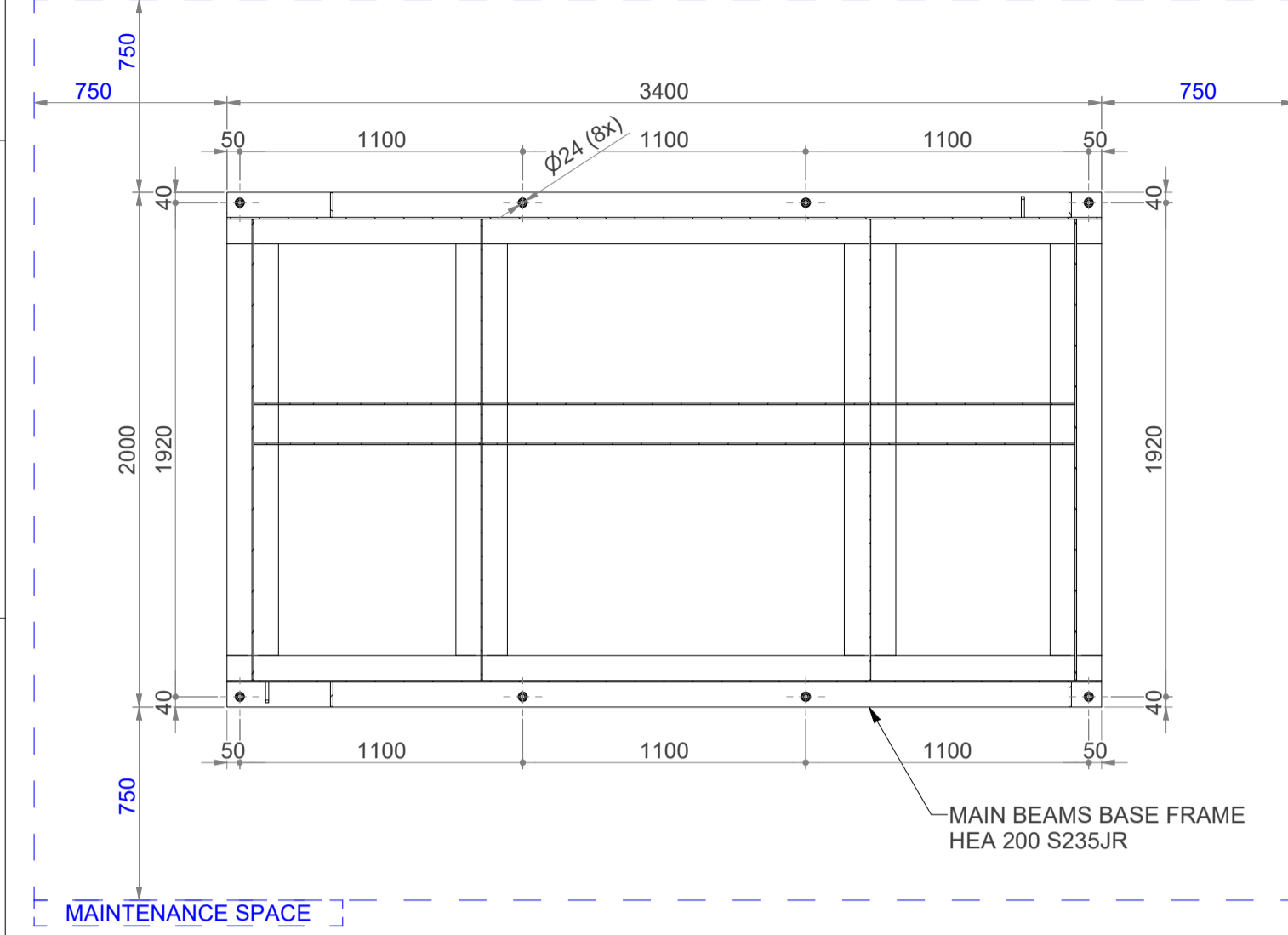


OWNER:  شرکت سست و سویی توهمه ایران لیان (سهامی عامه)	BUSHEHR PETROCHEMICAL COMPANY MEG PLANT							EPC CONTRACTOR:  Chagalesh-Enerchimi-Steam Joint Venture BUPC-MEG PLANT PROJECT	
	GENERAL ARRANGEMENT DRAWING FOR NITROGEN GAS BOOSTER								
MC :  شرکت سست و سویی توهمه ایران لیان (سهامی عامه)	Project	Area	Phase	Unit	Dis.	Doc.	Seq.	Contract No : 52-98/445	
Owner Document Number: 17811-04A	BU	20	VD	303	ME	DWG	0023	Rev.:	Page
								06	1 of 3

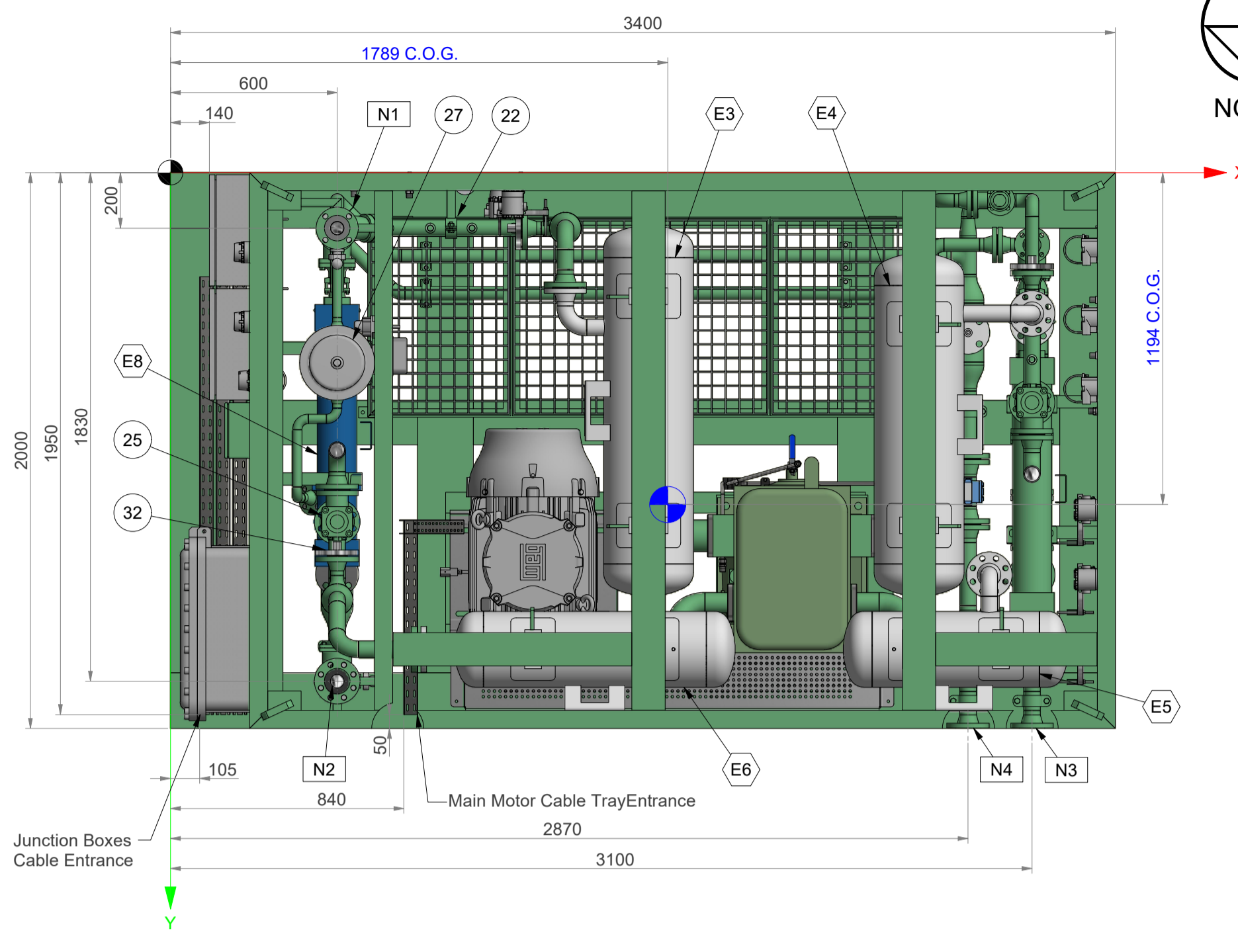
GENERAL ARRANGEMENT DRAWING FOR NITROGEN GAS BOOSTER

06	04/03/2022	Approved for Construction	FvT	KP	PW	
05	19/01/2022	Approved for Construction	FvT	KP	PW	
04	04/11/2021	For approval	AV	KP	PW	
03	15/09/2021	For approval	AV	KP	PW	
02	12/01/2021	For approval	AV	KP	PW	
01	23/11/2020	For approval	AV	KP	PW	
00	30/10/2020	For approval	AV	KP	PW	
Rev.	Date	Purpose of Issue	Prepared	Checked	Approved	AC Code
					Class: 1	Phase: P

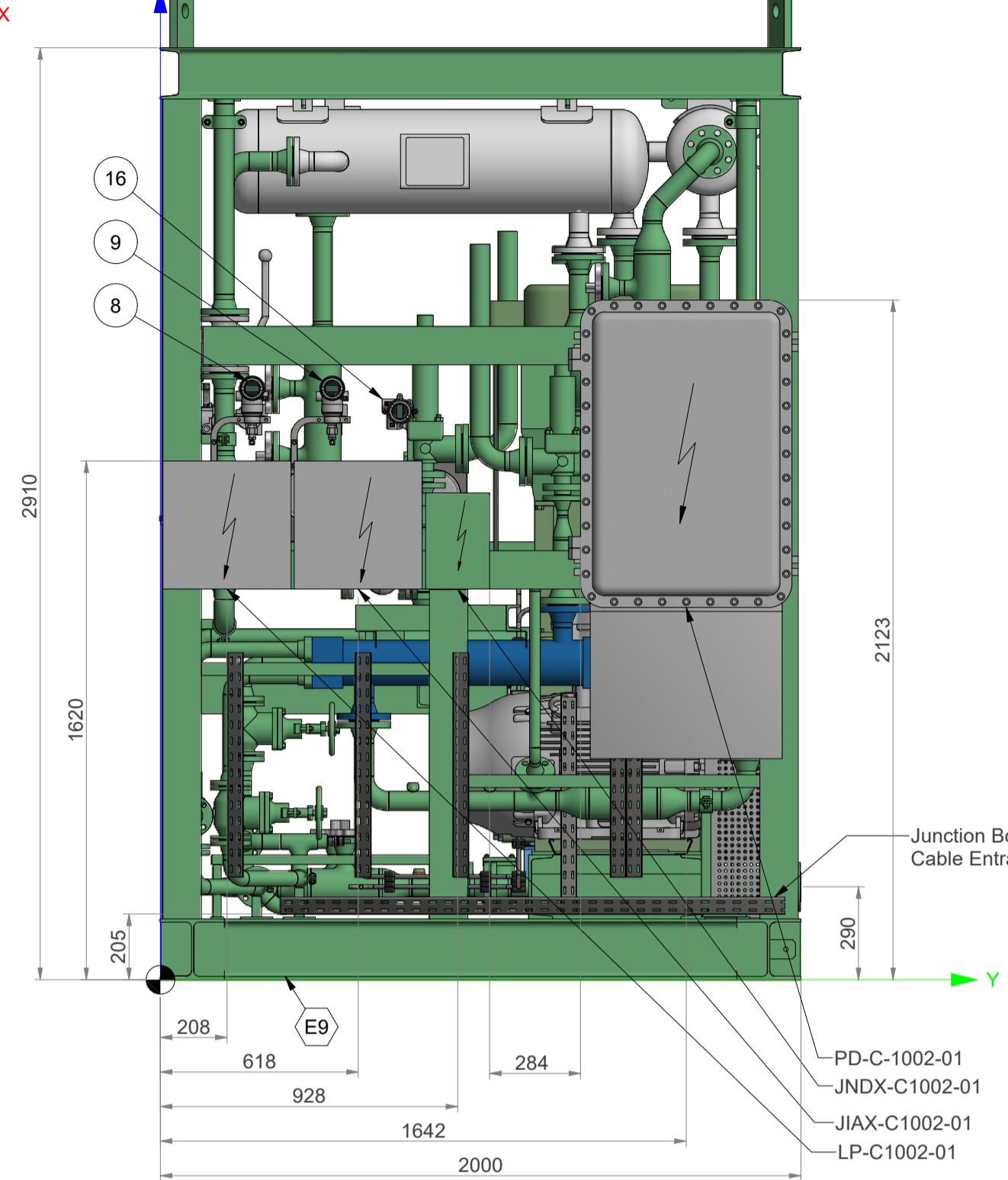
H-H (1 : 25)
FOUNDATION BASE FRAME



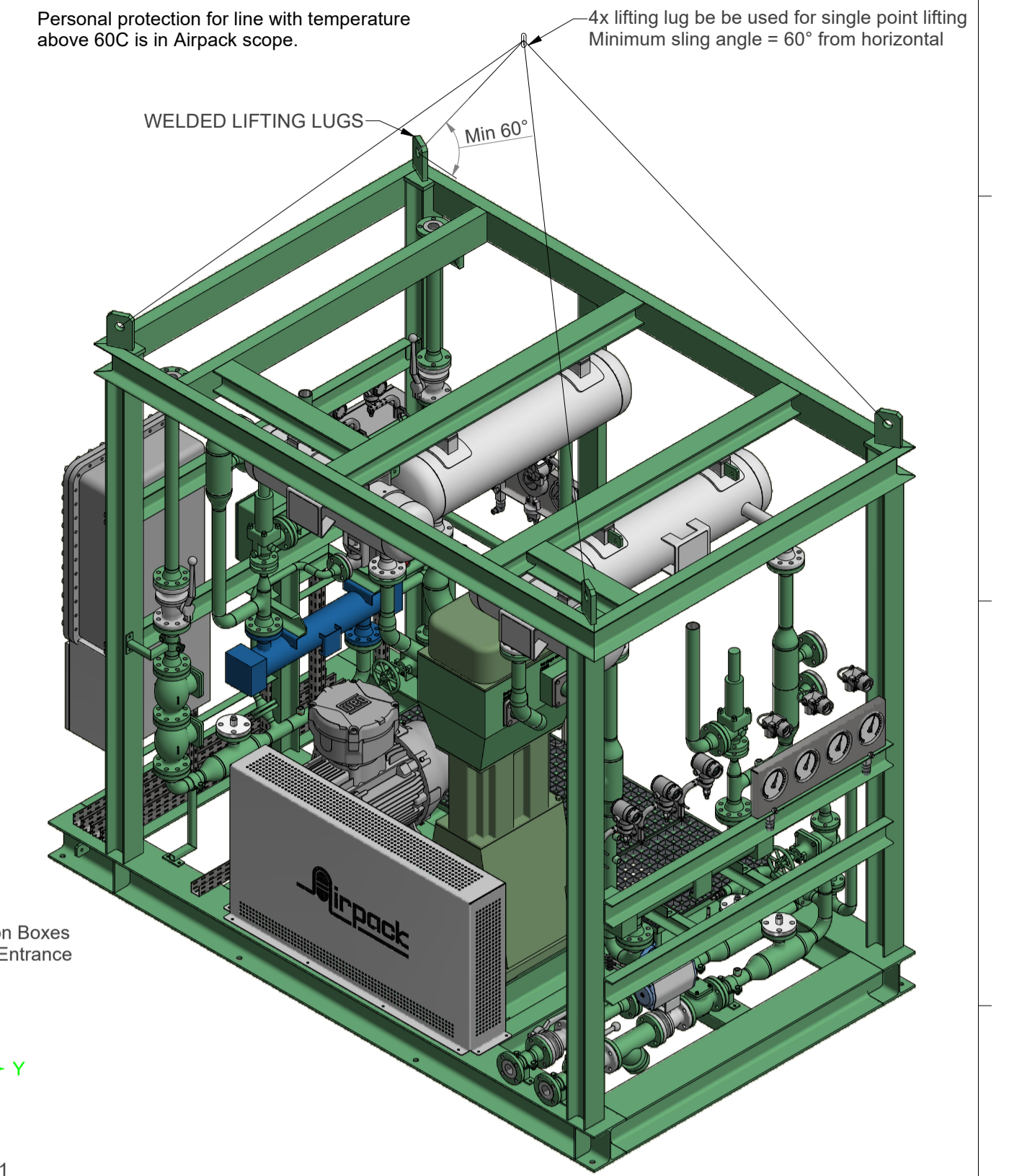
A (1 : 18) Top View



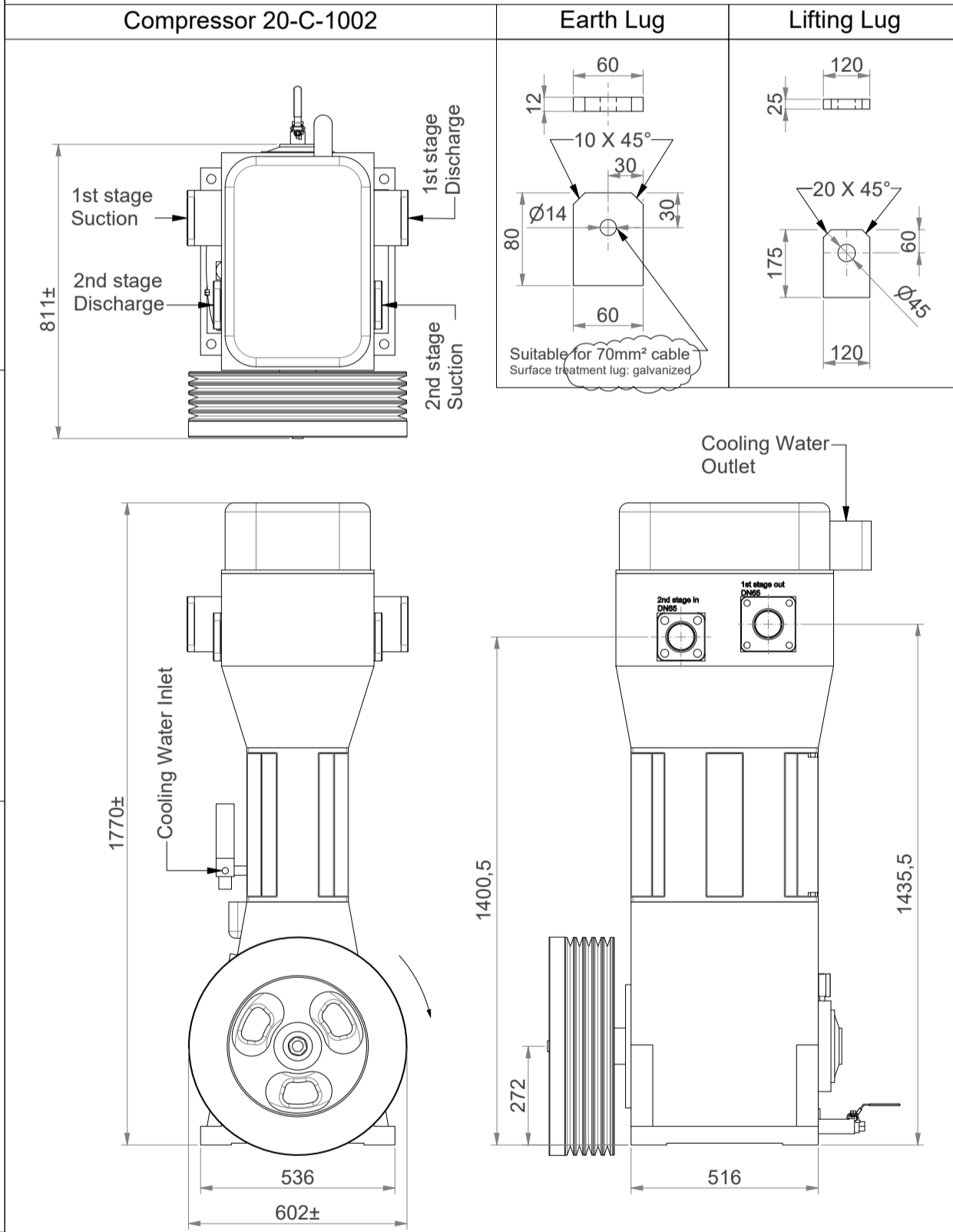
B (1 : 18)
Left Side View



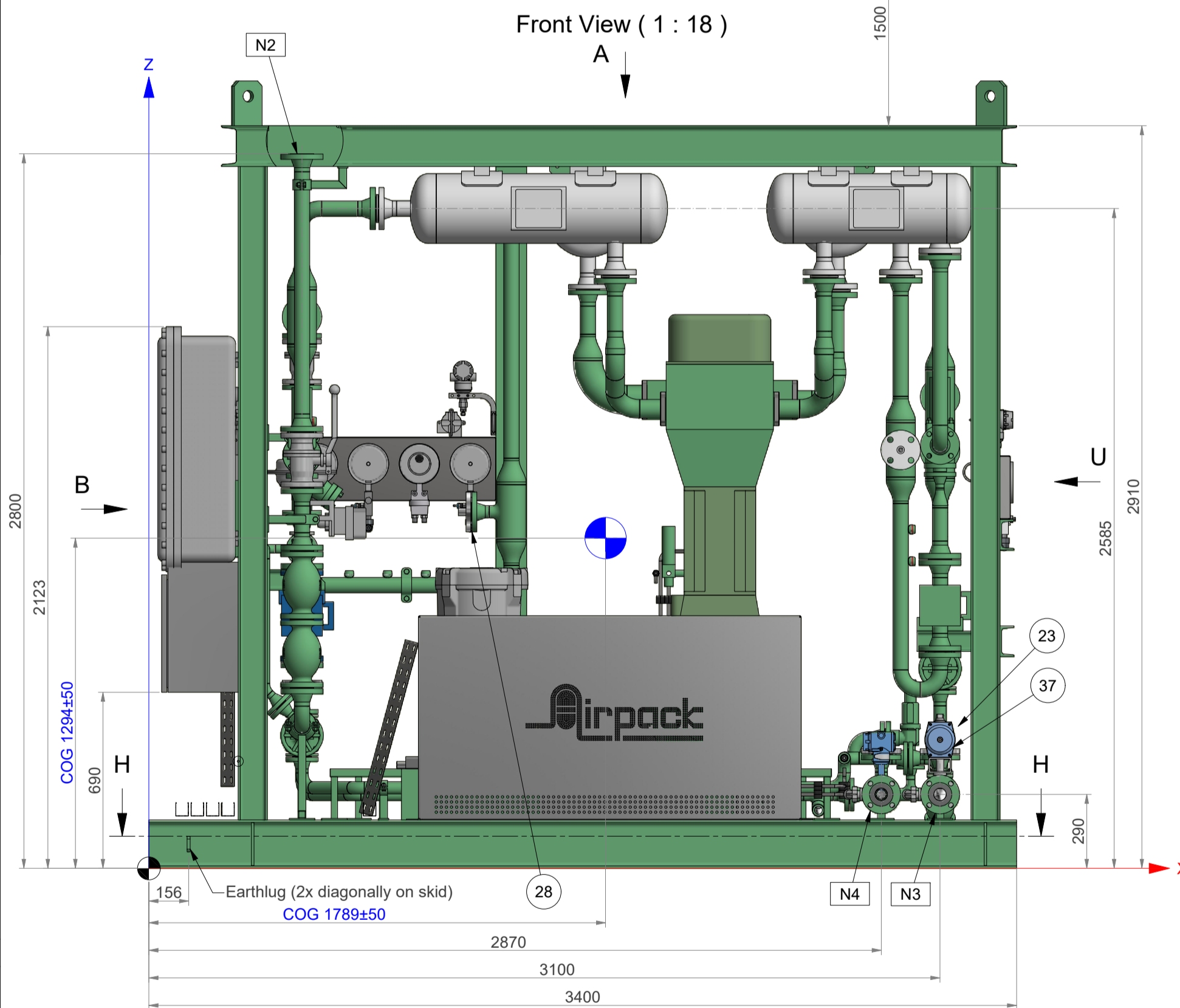
Isometric View (1 : 24)



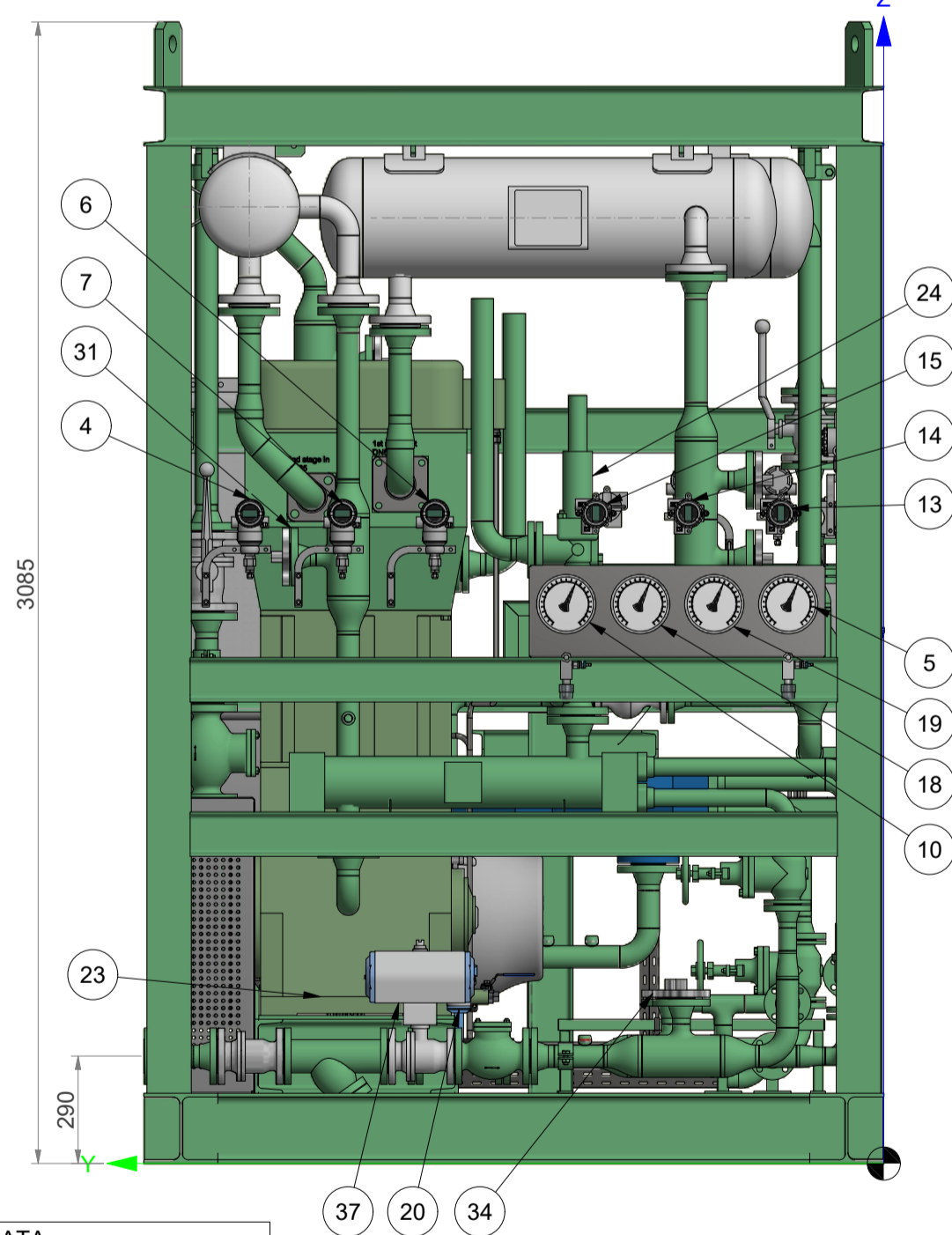
DETAILS



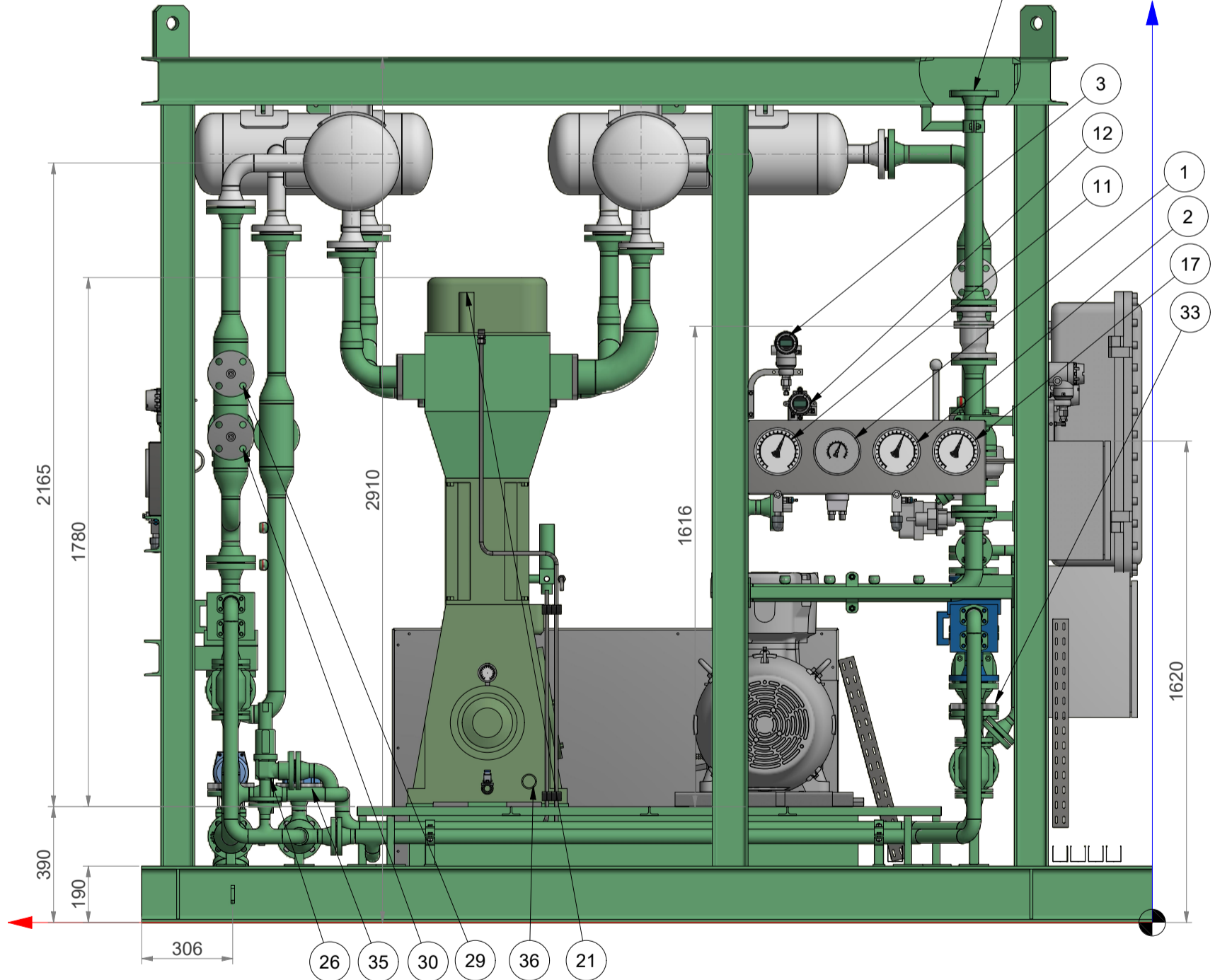
Front View (1 : 18)
A



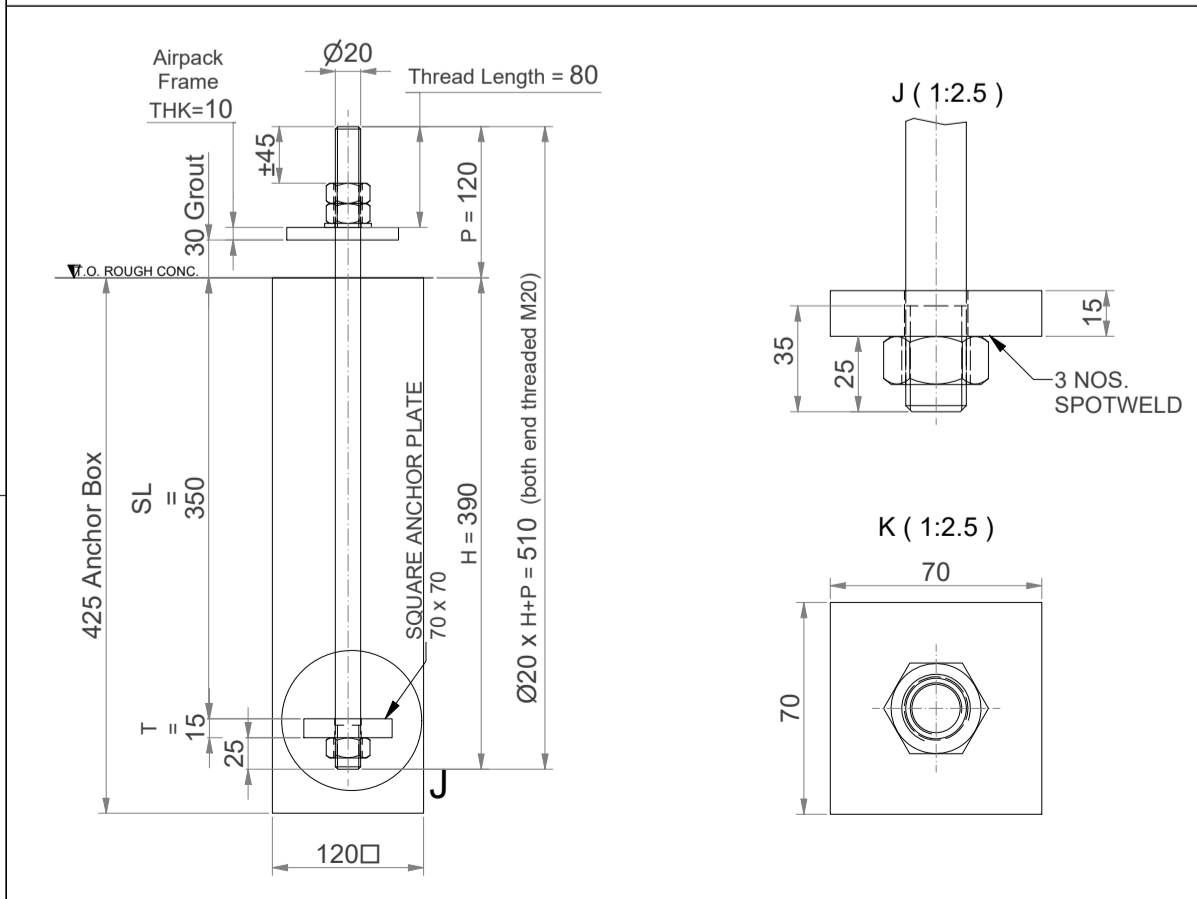
U - Right Side View (1 : 18)



Back Side View (1 : 18)



Anchor Bolts 8 x Type: M20D2120-350, acc. to: BU-20-D-000-ST-SPC-746-02. Grout = Type G2.



INSTRUMENT DATA			INSTRUMENT DATA			INSTRUMENT DATA		
Identification nr.	DEVICE	Tag Nr. Nitrogen Gas Booster Comp.	Identification nr.	DEVICE	Tag Nr. Nitrogen Gas Booster Comp.	Identification nr.	DEVICE	Tag Nr. Nitrogen Gas Booster Comp.
1	Diff. Pressure Gauge	PDG-10151	19	Temperature Gauge	TG-10158	37	Solenoid Valve	XV-10152
2	Pressure Gauge	PG-10152	20	Flow Transmitter	FT-10151			
3	Pressure Transmitter	PIT-10153	21	Vibration Transmitter	VT-10151			
4	Pressure Transmitter	PIT-10154	22	Solenoid	XY-10151			
5	Pressure Gauge	PG-10155	23	Solenoid	XY-10152			
6	Pressure Transmitter	PIT-10156	24	Pressure Safety Valve	PSV-10151			
7	Pressure Transmitter	PIT-10157	25	Pressure Safety Valve	PSV-10152			
8	Pressure Transmitter	PIT-10158	26	Pressure Safety Valve	PSV-10153			
9	Pressure Transmitter	PIT-10159	27	Pressure Control Valve	PV-10151			
10	Pressure Gauge	PG-10160	28	Thermowell	TW-10151			
11	Pressure Gauge	PG-10161	29	Thermowell	TW-10152			
12	Temperature Transmitter	TIT-10151	30	Thermowell	TW-10153			
13	Temperature Transmitter	TIT-10152	31	Thermowell	TW-10154			
14	Temperature Transmitter	TIT-10153	32	Thermowell	TW-10155			
15	Temperature Transmitter	TIT-10154	33	Thermowell	TW-10156			
16	Temperature Transmitter	TIT-10155	34	Thermowell	TW-10157			
17	Temperature Gauge	TG-10156	35	Thermowell	TW-10158			
18	Temperature Gauge	TG-10157	36	Level Gauge	LG-10151			

JUNCTION BOX DATA			
Nr.	Description	X	Y
JNDX-C1002-01	JB Solenoid Valves	140	928
JIAX-C1002-01	JB Analog	140	618
LP-C1002-01	Local Control Panel	140	208
PD-C1002-01	Power Distribution Board	35	1642

EQUIPMENT DATA			
Identification nr.	Description	Maintenance Weight (Kg) ±	Tag Nr. Nitrogen Comp.
E1	Compressor	1300	20-C-1002
E2	Main Motor	561	20-C-1002-M
E3	Pulsation Damper Inlet 1st	127	20-DC-1002-1
E4	Pulsation Damper Outlet 1st	123	20-DC-1002-2
E5	Pulsation Damper Inlet 2nd	75	20-DC-1002-3
E6	Pulsation Damper Outlet 2nd	87	20-DC-1002-4
E7	Inter Cooler		20-AEC-1002-1
E8	After Cooler		20-AEC-1002-2
	Skid Construction Frame	1400	

NOZZLE DATA														
Tie - In Point	Nozzle	Size	Rating	Type	Material	Max. allowable nozzle loads								
						Force (kN)	Moments (kNm)			Nozzle coordinates (mm)				
						FH	FA	FV	MH	MA	MV	X	Y	Z
Nitrogen Inlet	N1	2" ANSI/ASME Sch80	150#	WN-RF	A/SA105N	2	2	2	0.9	2	0.9	600	200	2800
Nitrogen Outlet	N2	2" ANSI/ASME Sch80	300#	WN-RF	A/SA105N	2	2	2	0.9	2	0.9	600	1830	2800
Cooling Water Inlet	N3	2" ANSI/ASME Sch80	150#	WN-RF	A/SA105N	2	2	2	0.9	2	0.9	3100	2000	290
Cooling Water Outlet	N4	2" ANSI/ASME Sch80	150#	WN-RF	A/SA105N	2	2	2	0.9	2	0.9	2870	2000	290

ESTIMATED OPERATIONAL WEIGHT = 5200 Kg
 HEAVIEST MAINTENANCE PART = 561 Kg
 ESTIMATED STATIC LOAD = 51 kN
 DYNAMIC LOAD IS NEGLIGIBLE DUE TO THE SIZE OF THE BASE FRAME.
 OPERATIONAL FREQUENCY = 13 Hz

FOOTPRINT of NITROGEN COMPRESSOR PACKAGE 20-C-1002

Client: Bushehr Petrochemical Company (BUPC)
 Client Doc. No: MEG20-PO-BP303-021

Project: 03
 Date: 19-1-2022
 Checked by: SdB
 Drawn by: KP
 Plant Location: IRAN Onshore
 Scale: --
 Airpack Ref.: 17811-COM
 Drawing No.: 17811-Footprint-N2 Comp-1

Sheet 1 of 1