





OWNER:  شرکت سست و موی توستر ایران (سهامی خاص)	BUSHEHR PETROCHEMICAL COMPANY MEG PLANT						EPC CONTRACTOR:  Chagalesh-Enerchimi-Steam Joint Venture BUPC-MEG PLANT PROJECT		
	ARCHITECTURE DIAGRAM FOR INSTRUMENT AIR COMPRESSOR								
MC : 	Project	Area	Phase	Unit	Dis.	Doc.	Seq.	Contract No : 52-98/445	
Owner Document Number: 17811-46B	BU	20	VD	303	IN	DIG	0094	Rev.:	Page
								01	1 of 3

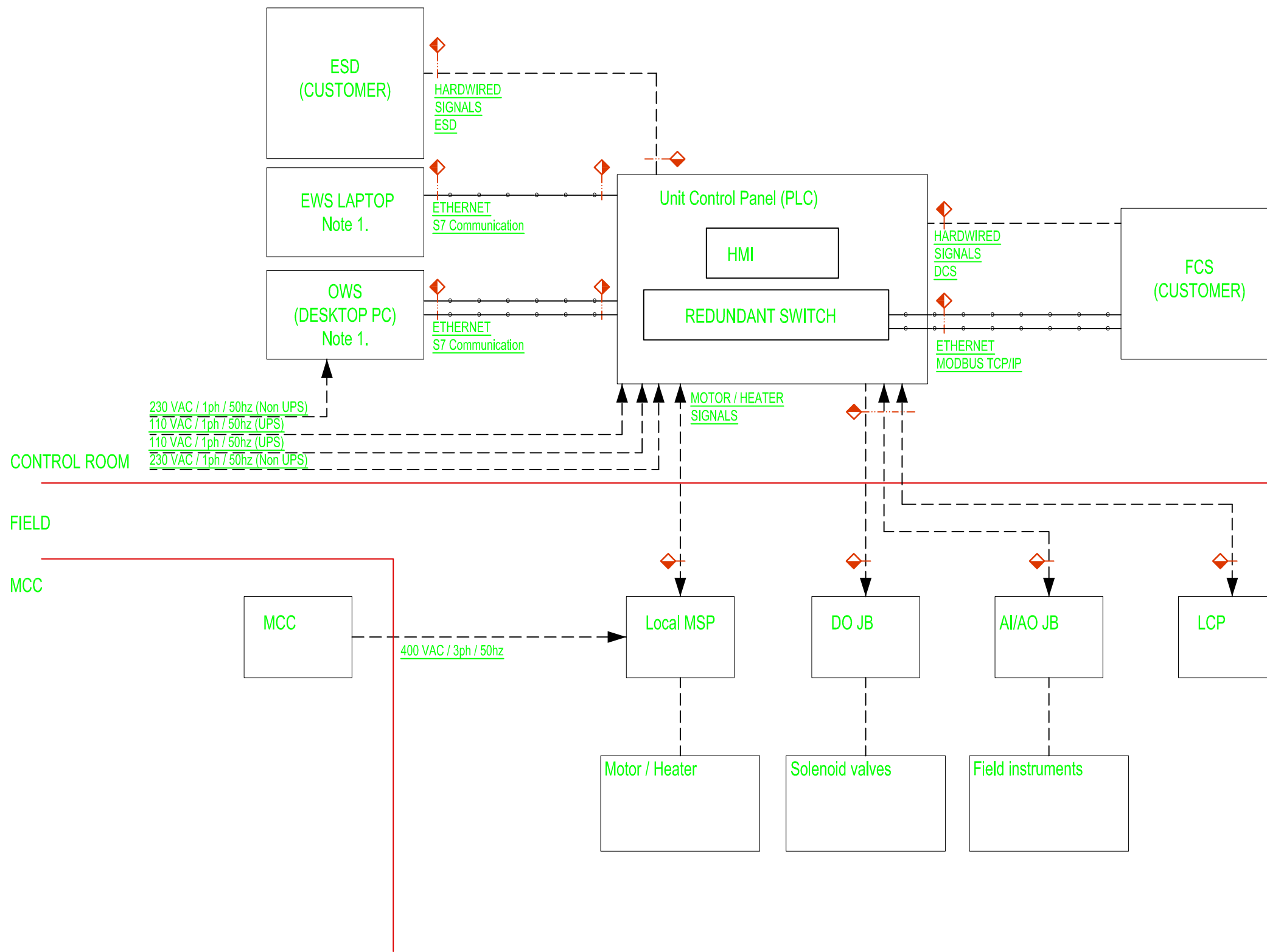
ARCHITECTURE DIAGRAM FOR INSTRUMENT AIR COMPRESSOR

01	09/06/2022	For Approval	KP	CL	JR		
01	10/05/2022	For Approval	KP	CL	JR		
00	12/03/2021	For Approval	TJ	KP	JR		
Rev.	Date	Purpose of Issue	Prepared	Checked	Approved	AC Code	
						Class: 1	Phase: P

Abbreviations:
 FCS : Field Control System
 ESD : Emergency Shutdown
 EWS : Engineering Work Station
 OWS : Operating Work Station
 HMI : Human Machine Interface
 MSP : Motor Starter Panel

Notes:
 1. EWS/OWS laptop and Desktop supply based on discussion though E-mail. Laptop is against additional costs

Serial
 Hardwired



NOTES:



SUBJECT		MEG PLANT COMPRESSOR		DATE	11-03-2021
		PLC ARCHITECTURE DIAGRAM		DRAWN BY	TJ
CLIENT	BUSHEHER PETROCHEMICAL COMPANY (BUPC)	CHECKED BY	KP	PLANT LOCATION	-
CLIENT REF	MEG20-PO-BP303-021	DRAWING NO.	17811-46		
AIRPACK REF	17811-COM	SHEETNO.	01 /01		

THIS DRAWING IS OWNED BY AIRPACK AND SHALL NOT BE PRINTED OR COPIED IN ANY OTHER WAY THAN WITH AIRPACKS PERMISSION

REV 02	08-06-2022	KP
REV 01	10-05-2022	KP
REV 00	11-03-2021	TJ