





OWNER:  شرکت سست و سویی گیس ایرپک (سهامی خاص)	<b>BUSHEHR PETROCHEMICAL COMPANY MEG PLANT</b>							EPC CONTRACTOR:  Chagalesh-Enerchimi-Steam Joint Venture BUPC-MEG PLANT PROJECT	
	<b>LOGIC DIAGRAMS-PROGRAM OF UCP - COMPRESSOR SHUTDOWN LOGIC DRAWING FOR NITROGEN GAS BOOSTER</b>							 Netherlands	
MC :  شرکت سست و سویی گیس ایرپک (سهامی خاص)	Project	Area	Phase	Unit	Dis.	Doc.	Seq.	Contract No : 52-98/445	
Owner Document Number: 17811-32A	BU	20	VD	303	IN	DIG	0035	Rev.:	Page
								05	1 of 16

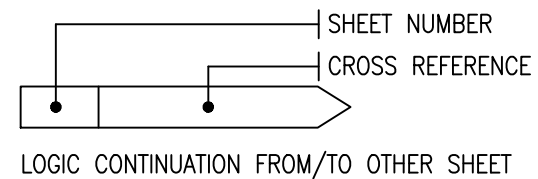
## LOGIC DIAGRAMS-PROGRAM OF UCP - COMPRESSOR SHUTDOWN LOGIC DRAWING FOR NITROGEN GAS BOOSTER

05	05/07/2022	Approved for Construction	RT	KP	JR	
04	17/05/2022	Approved for Construction	AZ	KP	JR	
03	18/03/2022	Approved for Construction	AS	KP	JR	
02	06/01/2022	Approved for Construction	WZ	KP	JR	
01	30/11/2021	For approval	WZ	KP	JR	
00	24/11/2020	For approval	TJ	RB	JR	
<b>Rev.</b>	<b>Date</b>	<b>Purpose of Issue</b>	<b>Prepared</b>	<b>Checked</b>	<b>Approved</b>	<b>AC Code</b>
					<b>Class: 1</b>	<b>Phase: P</b>



SYMBOL	FUNCTION	DESCRIPTION
	AND	OUTPUT D EXISTS ONLY IF AND WHILE INPUTS A,B AND C EXIST.
	OR	OUTPUT D EXISTS ONLY IF AND WHILE ONE OR MORE OF INPUTS A,B OR C EXIST.
	XOR	OUTPUT D EXISTS ONLY IF AND WHILE ONE OF INPUTS A,B OR C EXIST.
	NOT	OUTPUT B EXISTS ONLY IF AND WHILE INPUT A DOES NOT EXIST.
	TIMER (DELAY INITIATION)	THE CONTINUOUS EXISTENCE OF INPUT A FOR TIME T CAUSES OUTPUT B TO EXIST WHEN THE TIME T EXPIRES. B TERMINATES IMMEDIATELY WHEN A TERMINATES.
	TIMER (DELAY TERMINATION)	THE EXISTENCE OF INPUT A CAUSES OUTPUT B TO EXIST IMMEDIATELY. B TERMINATES WHEN A HAS TERMINATED AND HAS NOT AGAIN EXISTED FOR TIME T.
	PULSE OUTPUT	THE EXISTENCE OF INPUT A CAUSES OUTPUT B TO EXIST IMMEDIATELY. B EXISTS FOR TIME T, REGARDLESS OF THE STATE OF A.
	FLIP-FLOP MEMORY (SET PRIORITY)	OUTPUT C EXISTS AS SOON AS A EXISTS. C CONTINUES TO EXIST, REGARDLESS OF THE SUBSEQUENT STATE OF A, UNTIL THE MEMORY IS RESET (I.E; TERMINATED BY B EXISTING) C REMAINS TERMINATED, REGARDLESS OF THE SUBSEQUENT STATE OF B, UNTIL A CAUSES THE MEMORY TO BE SET. IF A AND B EXIST SIMULTANEOUSLY, A OVERRIDES B.
	FLIP-FLOP MEMORY (RESET PRIORITY)	OUTPUT C EXISTS AS SOON AS A EXISTS. C CONTINUES TO EXIST, REGARDLESS OF THE SUBSEQUENT STATE OF A, UNTIL THE MEMORY IS RESET (I.E; TERMINATED BY B EXISTING) C REMAINS TERMINATED, REGARDLESS OF THE SUBSEQUENT STATE OF B, UNTIL A CAUSES THE MEMORY TO BE SET. IF A AND B EXIST SIMULTANEOUSLY, B OVERRIDES A.
		LOGIC CONNECTION
		NO CONNECTION
		SERIAL LINK / FOUNDATION FIELDBUS PROTOCOL

SYMBOL	DESCRIPTION
	EMERGENCY PUSHBUTTON, RED HEAD, STAY PUT.
	TOGGLE SWITCH
	PUSHBUTTON MOMENTARILY MAKE
	PUSHBUTTON MOMENTARILY BREAK
	CONTACT NORMALLY OPEN
	CONTACT NORMALLY CLOSED
	HARDWIRED INPUT/OUTPUT
	SOLENOID VALVE, 3-WAY
	DISTRIBUTED CONTROL SYSTEM
	PLC CONTROL SYSTEM
	DCS AUXILIARY CONSOLE
	LAMP
	HMI
	AUDIBLE ALARM
	RELAY COIL



### ABBREVIATIONS

DCS : DISTRIBUTED CONTROL SYSTEM  
 UCP : UNIT CONTROL PANEL  
 LCP : LOCAL CONTROL PANEL  
 PLC : PROGRAMMABLE LOGIC CONTROLLER  
 I/P : INPUT  
 O/P : OUTPUT  
 ESD : EMERGENCY SHUTDOWN  
 MCC : MOTOR CONTROL CENTRE

### GENERAL NOTES

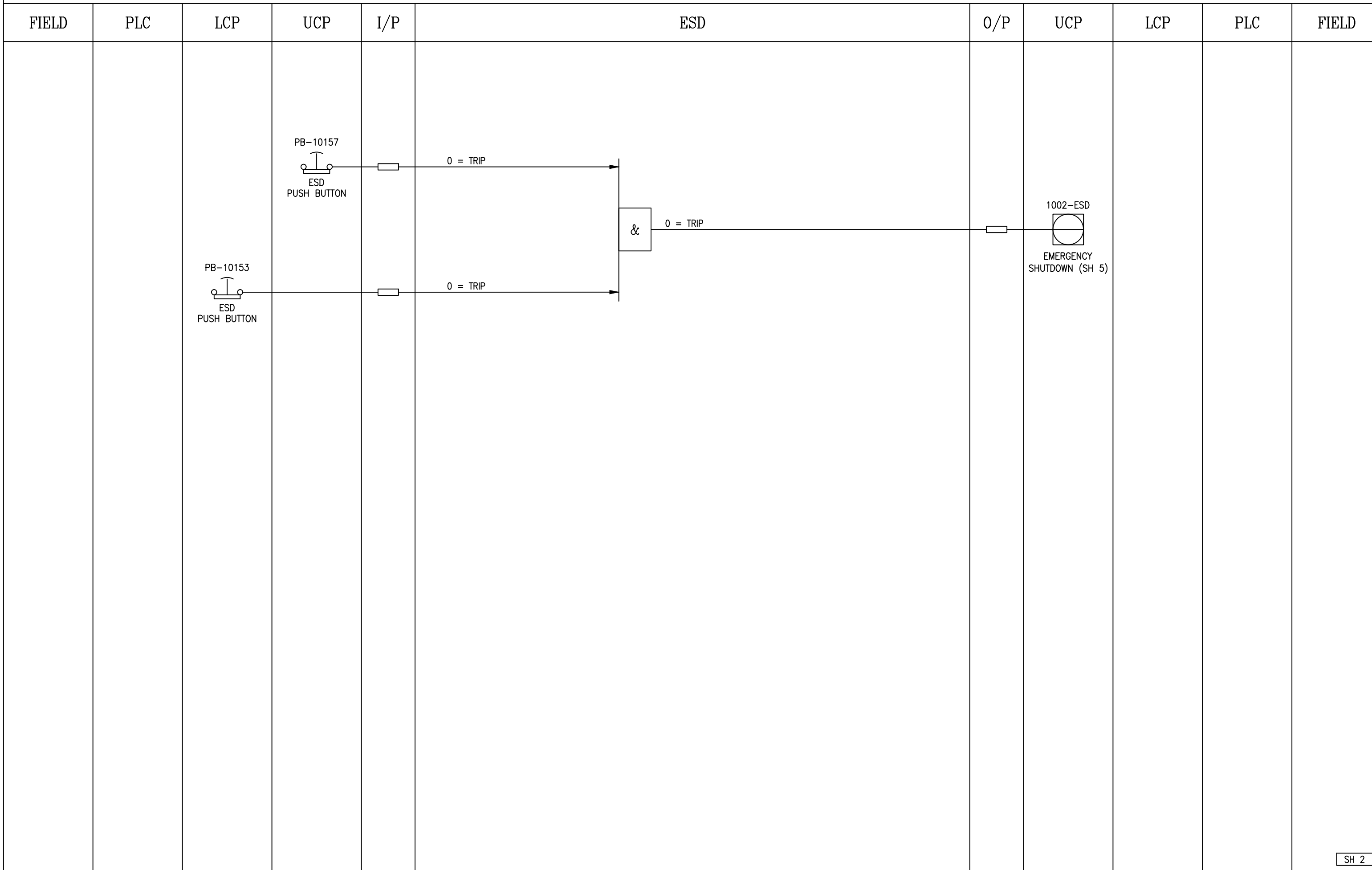
- SHUTDOWN CONDITION ;  
0 = SHUTDOWN 1 = OPERATING
- ALARM/TRIP CONDITION ;  
0 = ALARM 1=NORMAL  
0 = TRIP 1=NORMAL
- REMOTE/LOCAL CONDITION ;  
0 = LOCAL 1=REMOTE




SUBJECT	BUSHEHR PETROCHEMICAL COMPANY MEG PLANT NITROGEN COMPRESSOR	DATE	20-11-2020
CLIENT	BUSHEHR PETROCHEMICAL COMPANY (BUPC)	DRAWN BY	TJ
CLIENT REF	20-C-1002	CHECKED BY	KP
AIRPACK REF	17811	PLANT LOCATION	IRAN
		DRAWING NO.	17811-32A
		SHEETNO.	01 /14

THIS DRAWING IS OWNED BY AIRPACK AND SHALL NOT BE PRINTED OR COPIED IN ANY OTHER WAY THAN WITH AIRPACKS PERMISSION		
REV 05	04-07-2022	RT
REV 04	16-05-2022	WZ
REV 03	18-03-2022	AS
REV 02	03-01-2022	AS
REV 01	29-11-2021	WZ
REV 00	20-11-2020	TJ

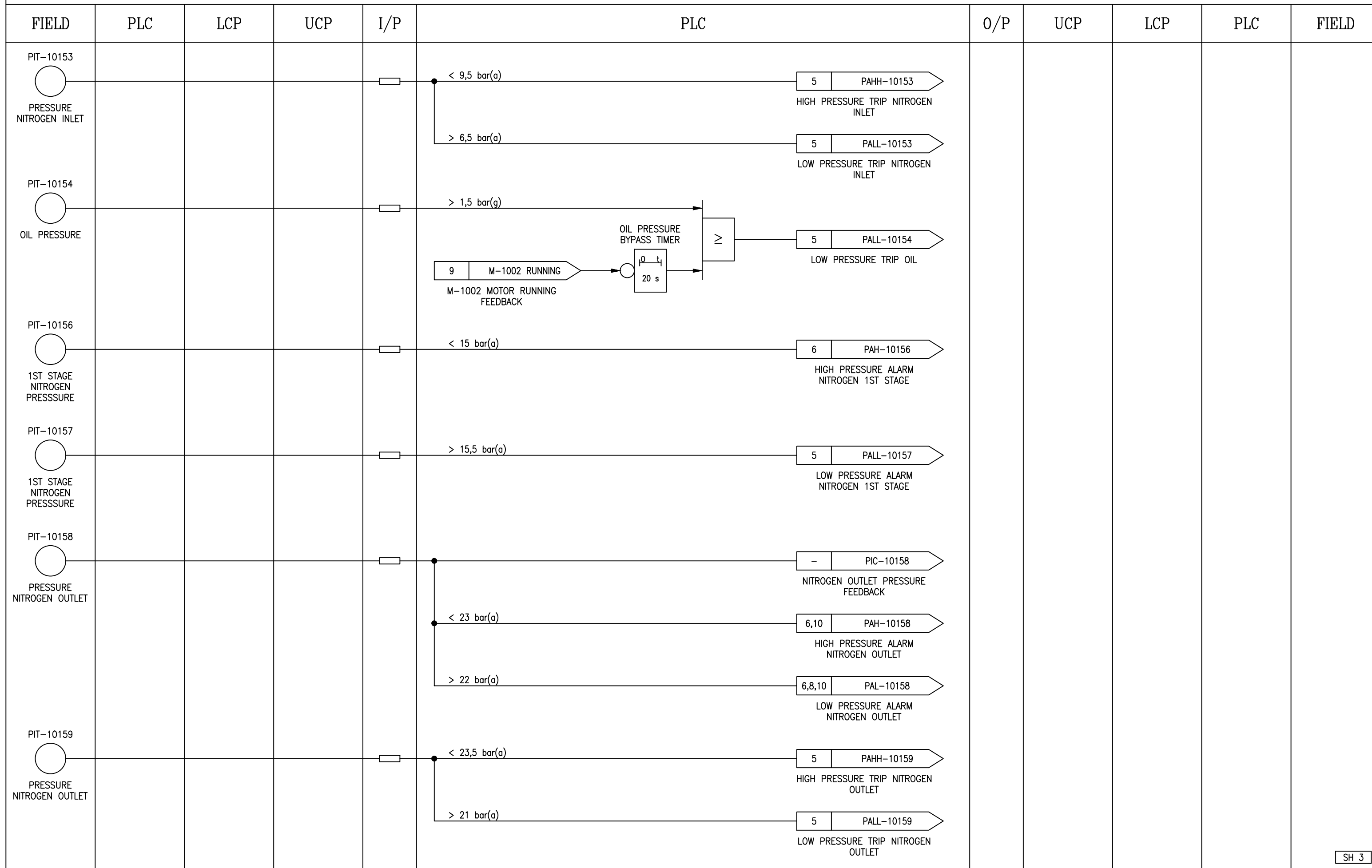
LOGIC DIAGRAM



NOTES:


	SUBJECT BUSHEHR PETROCHEMICAL COMPANY		DATE	20-11-2020	THIS DRAWING IS OWNED BY AIRPACK AND SHALL NOT BE PRINTED OR COPIED IN ANY OTHER WAY THAN WITH AIRPACKS PERMISSION	
	MEG PLANT		DRAWN BY	TJ		
	NITROGEN COMPRESSOR		CHECKED BY	KP		
	CLIENT	BUSHEHR PETROCHEMICAL COMPANY (BUPC)	PLANT LOCATION	IRAN		
	CLIENT REF	20-C-1002	DRAWING NO.	17811-32A		
AIRPACK REF	17811	SHEETNO.	02 / 14	REV 05	04-07-2022	RT
				REV 04	16-05-2022	WZ
				REV 03	18-03-2022	AS
				REV 02	03-01-2022	AS
				REV 01	29-11-2021	WZ
				REV 00	20-11-2020	TJ

# LOGIC DIAGRAM

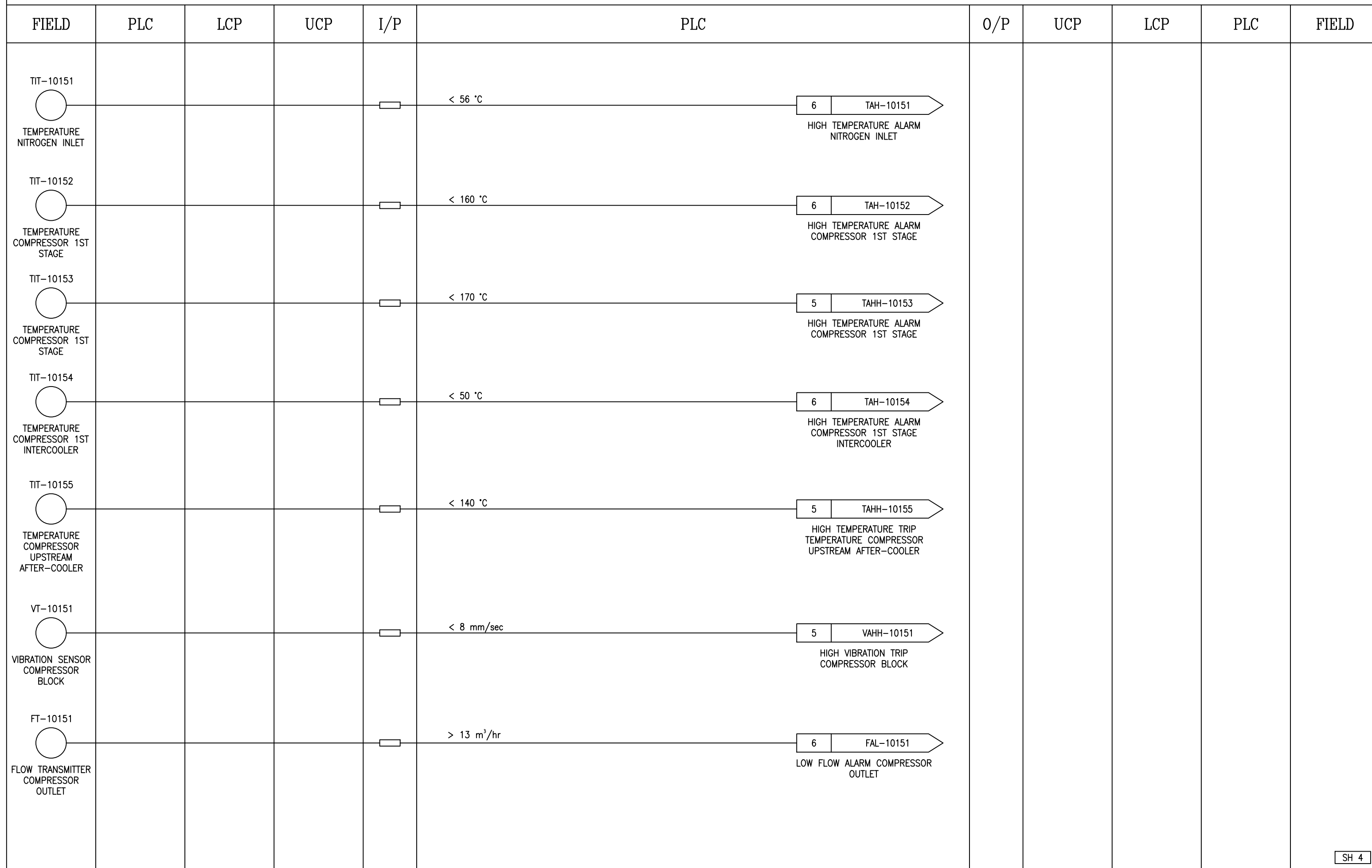


SH 3

NOTES:

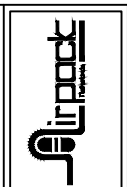
	SUBJECT BUSHEHR PETROCHEMICAL COMPANY MEG PLANT NITROGEN COMPRESSOR		DATE 20-11-2020	THIS DRAWING IS OWNED BY AIRPACK AND SHALL NOT BE PRINTED OR COPIED IN ANY OTHER WAY THAN WITH AIRPACKS PERMISSION
			DRAWN BY TJ	
			CHECKED BY KP	
	CLIENT BUSHEHR PETROCHEMICAL COMPANY (BUPC)	PLANT LOCATION IRAN		
	CLIENT REF 20-C-1002	DRAWING NO. 17811-32A		
AIRPACK REF 17811	SHEETNO. 03 / 14	REV 05 04-07-2022 RT	REV 04 16-05-2022 WZ	
		REV 03 18-03-2022 AS	REV 02 03-01-2022 AS	
		REV 01 29-11-2021 WZ	REV 00 20-11-2020 TJ	

LOGIC DIAGRAM



SH 4

NOTES:

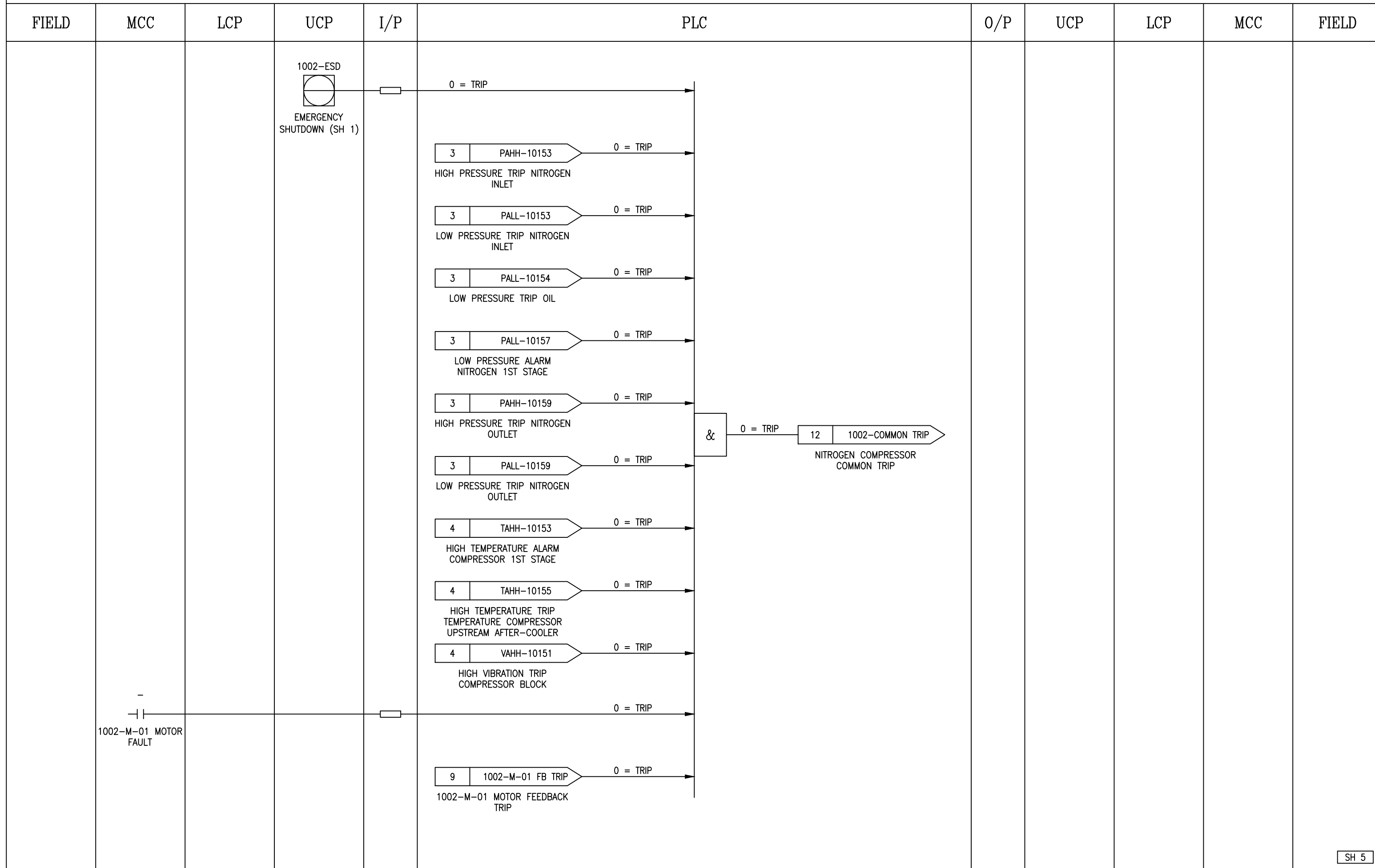


SUBJECT		BUSHEHR PETROCHEMICAL COMPANY MEG PLANT NITROGEN COMPRESSOR	
CLIENT	BUSHEHR PETROCHEMICAL COMPANY (BUPC)	PLANT LOCATION	IRAN
CLIENT REF	20-C-1002	DRAWING NO.	17811-32A
AIRPACK REF	17811	SHEETNO.	04 / 14

DATE	20-11-2020
DRAWN BY	TJ
CHECKED BY	KP

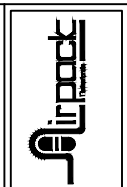
THIS DRAWING IS OWNED BY AIRPACK AND SHALL NOT BE PRINTED OR COPIED IN ANY OTHER WAY THAN WITH AIRPACKS PERMISSION		
REV 05	04-07-2022	RT
REV 04	16-05-2022	WZ
REV 03	18-03-2022	AS
REV 02	03-01-2022	AS
REV 01	29-11-2021	WZ
REV 00	20-11-2020	TJ

LOGIC DIAGRAM



SH 5

NOTES:

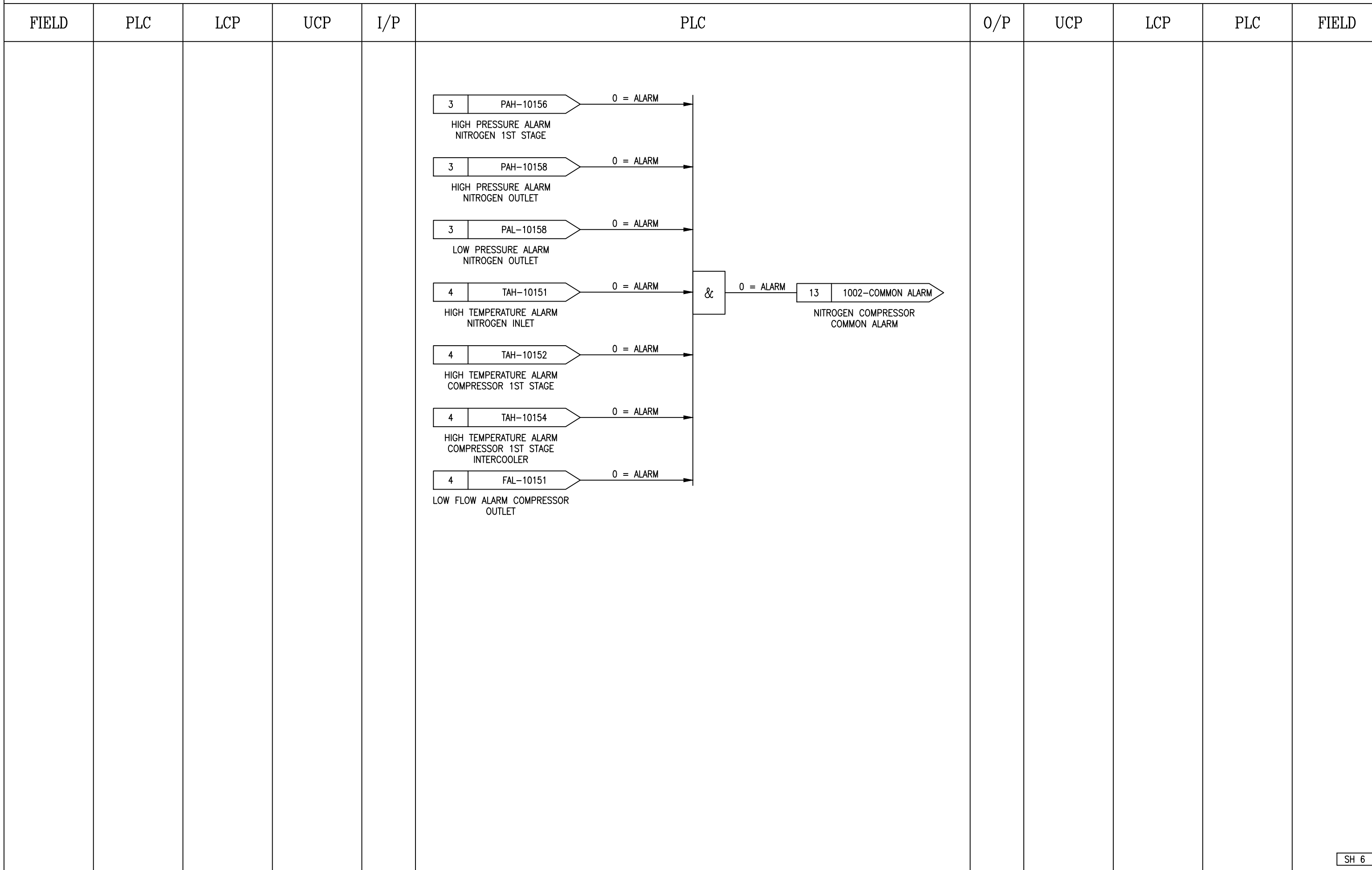


SUBJECT		BUSHEHR PETROCHEMICAL COMPANY MEG PLANT NITROGEN COMPRESSOR	
CLIENT	BUSHEHR PETROCHEMICAL COMPANY (BUPC)	PLANT LOCATION	IRAN
CLIENT REF	20-C-1002	DRAWING NO.	17811-32A
AIRPACK REF	17811	SHEETNO.	05 / 14

DATE	20-11-2020
DRAWN BY	TJ
CHECKED BY	KP

THIS DRAWING IS OWNED BY AIRPACK AND SHALL NOT BE PRINTED OR COPIED IN ANY OTHER WAY THAN WITH AIRPACKS PERMISSION		
REV 05	04-07-2022	RT
REV 04	16-05-2022	WZ
REV 03	18-03-2022	AS
REV 02	03-01-2022	AS
REV 01	29-11-2021	WZ
REV 00	20-11-2020	TJ

LOGIC DIAGRAM

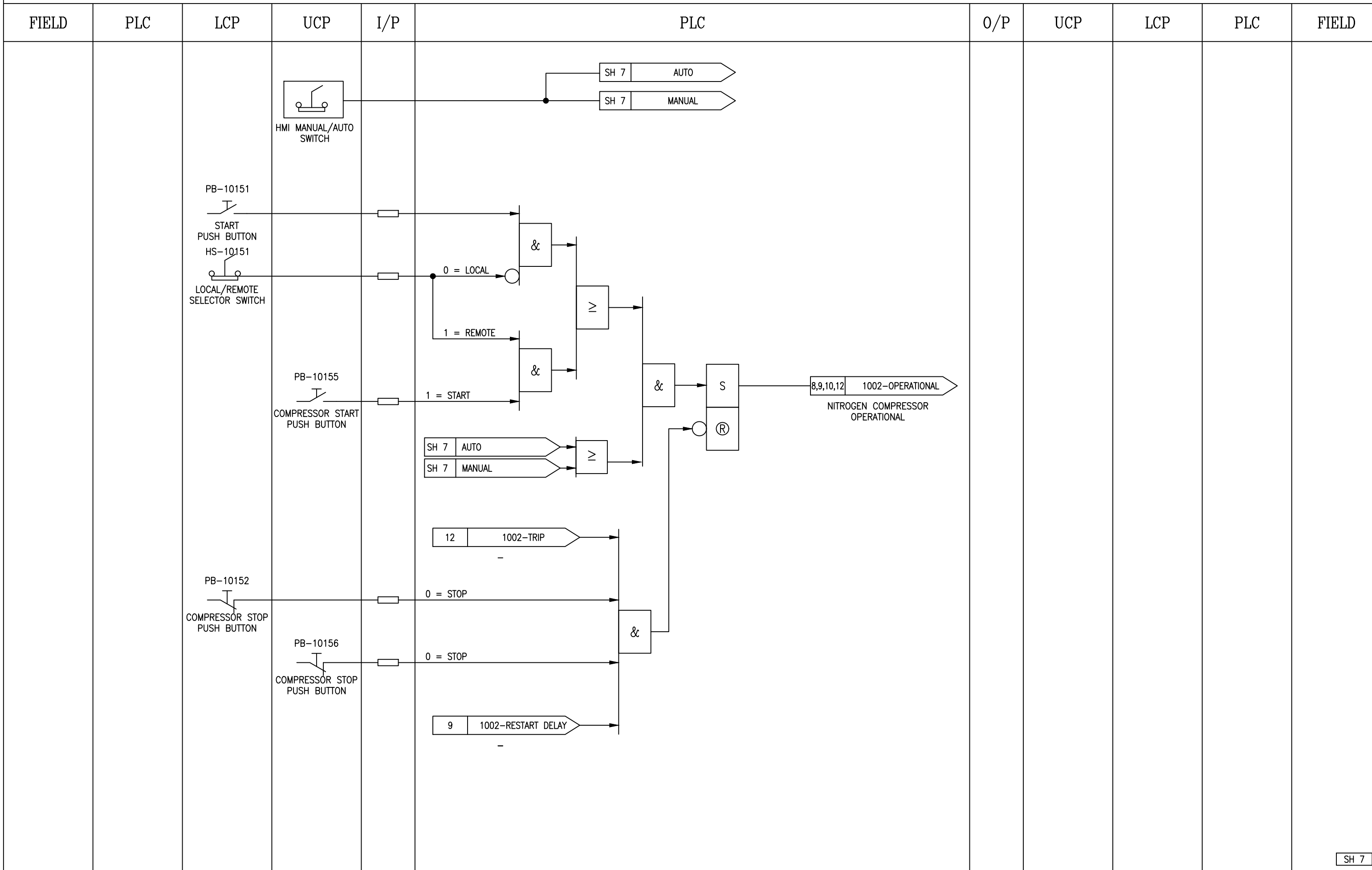


SH 6

NOTES:

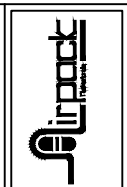
	SUBJECT BUSHEHR PETROCHEMICAL COMPANY		DATE	20-11-2020	THIS DRAWING IS OWNED BY AIRPACK AND SHALL NOT BE PRINTED OR COPIED IN ANY OTHER WAY THAN WITH AIRPACKS PERMISSION
	MEG PLANT		DRAWN BY	TJ	
	NITROGEN COMPRESSOR		CHECKED BY	KP	
	CLIENT	BUSHEHR PETROCHEMICAL COMPANY (BUPC)	PLANT LOCATION	IRAN	
	CLIENT REF	20-C-1002	DRAWING NO.	17811-32A	
AIRPACK REF	17811	SHEETNO.	06 / 14		
					REV 05 04-07-2022 RT REV 04 16-05-2022 WZ REV 03 18-03-2022 AS REV 02 03-01-2022 AS REV 01 29-11-2021 WZ REV 00 20-11-2020 TJ

LOGIC DIAGRAM



SH 7

NOTES:

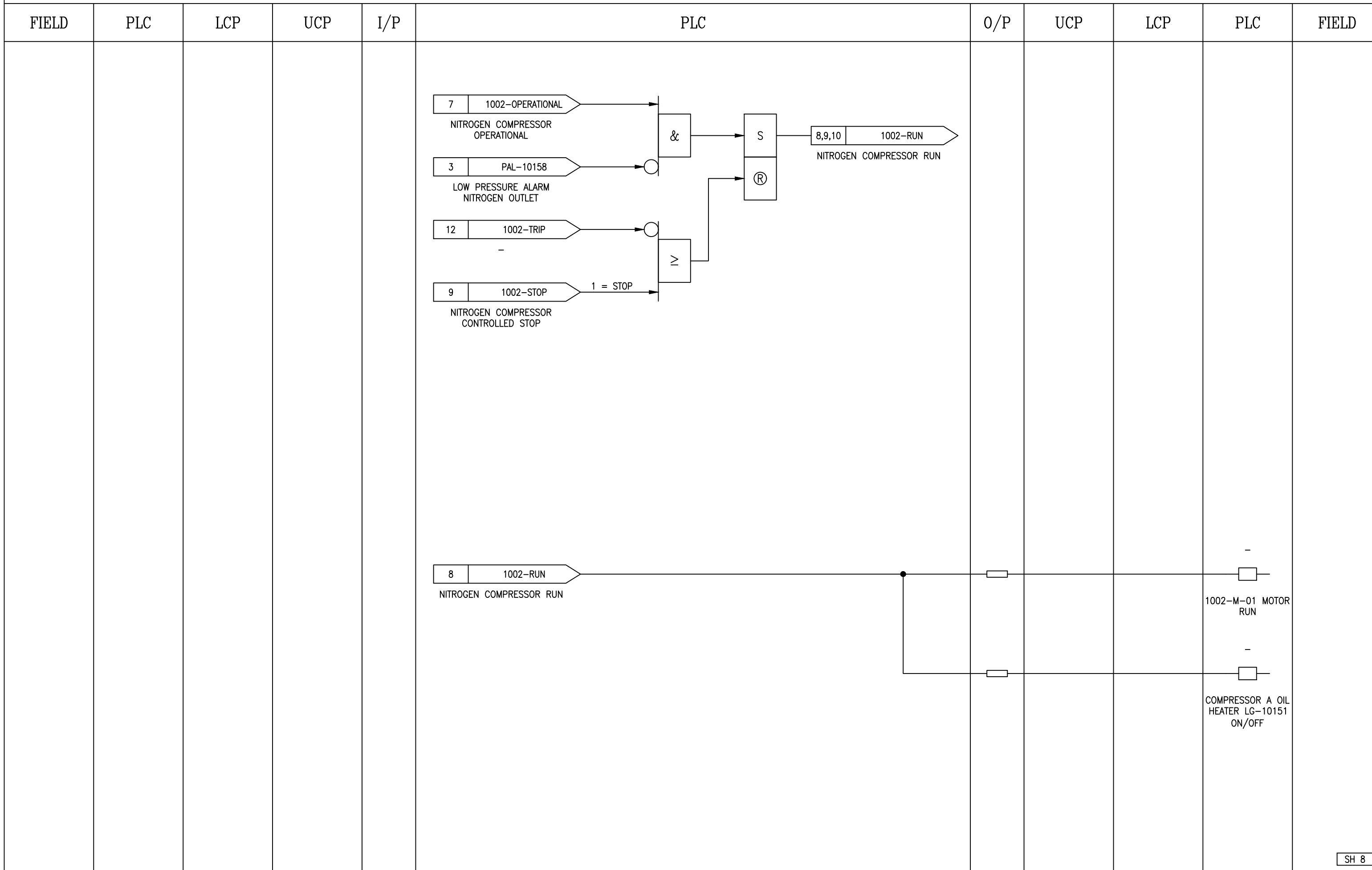


SUBJECT		BUSHEHR PETROCHEMICAL COMPANY MEG PLANT NITROGEN COMPRESSOR	
CLIENT	BUSHEHR PETROCHEMICAL COMPANY (BUPC)	PLANT LOCATION	IRAN
CLIENT REF	20-C-1002	DRAWING NO.	17811-32A
AIRPACK REF	17811	SHEETNO.	07 / 14

DATE	20-11-2020
DRAWN BY	TJ
CHECKED BY	KP

THIS DRAWING IS OWNED BY AIRPACK AND SHALL NOT BE PRINTED OR COPIED IN ANY OTHER WAY THAN WITH AIRPACKS PERMISSION		
REV 05	04-07-2022	RT
REV 04	16-05-2022	WZ
REV 03	18-03-2022	AS
REV 02	03-01-2022	AS
REV 01	29-11-2021	WZ
REV 00	20-11-2020	TJ

LOGIC DIAGRAM

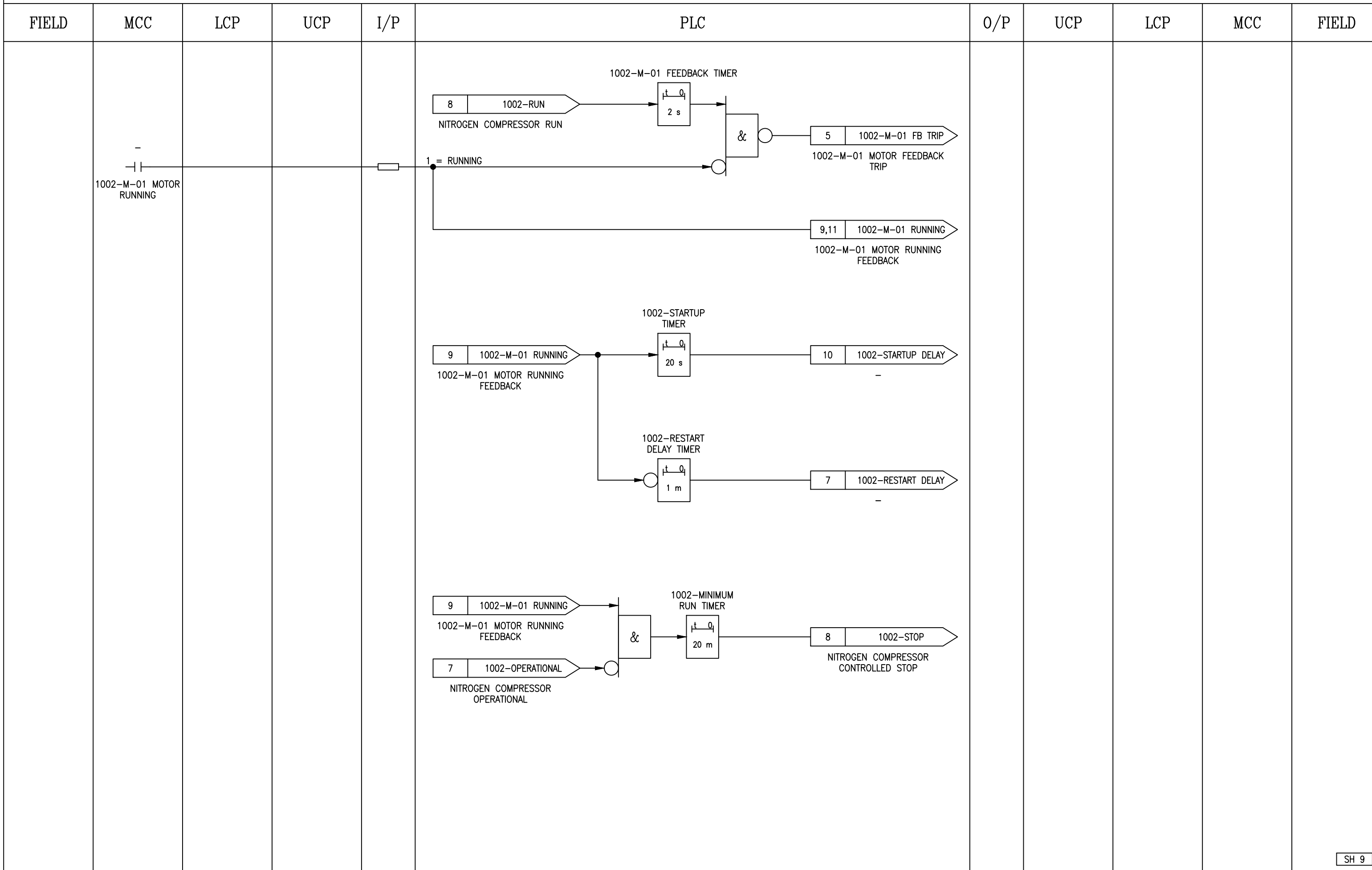


SH 8

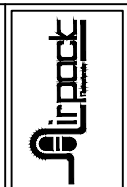
NOTES:

	SUBJECT BUSHEHR PETROCHEMICAL COMPANY MEG PLANT NITROGEN COMPRESSOR		DATE	20-11-2020	THIS DRAWING IS OWNED BY AIRPACK AND SHALL NOT BE PRINTED OR COPIED IN ANY OTHER WAY THAN WITH AIRPACKS PERMISSION																		
			DRAWN BY	TJ																			
			CHECKED BY	KP																			
	CLIENT	BUSHEHR PETROCHEMICAL COMPANY (BUPC)	PLANT LOCATION	IRAN																			
	CLIENT REF	20-C-1002	DRAWING NO.	17811-32A																			
AIRPACK REF	17811	SHEETNO.	08 / 14																				
					<table border="1" style="width:100%; border-collapse: collapse;"> <tr> <td style="width:10%;">REV 05</td> <td style="width:10%;">04-07-2022</td> <td style="width:10%;">RT</td> </tr> <tr> <td>REV 04</td> <td>16-05-2022</td> <td>WZ</td> </tr> <tr> <td>REV 03</td> <td>18-03-2022</td> <td>AS</td> </tr> <tr> <td>REV 02</td> <td>03-01-2022</td> <td>AS</td> </tr> <tr> <td>REV 01</td> <td>29-11-2021</td> <td>WZ</td> </tr> <tr> <td>REV 00</td> <td>20-11-2020</td> <td>TJ</td> </tr> </table>	REV 05	04-07-2022	RT	REV 04	16-05-2022	WZ	REV 03	18-03-2022	AS	REV 02	03-01-2022	AS	REV 01	29-11-2021	WZ	REV 00	20-11-2020	TJ
REV 05	04-07-2022	RT																					
REV 04	16-05-2022	WZ																					
REV 03	18-03-2022	AS																					
REV 02	03-01-2022	AS																					
REV 01	29-11-2021	WZ																					
REV 00	20-11-2020	TJ																					

LOGIC DIAGRAM



NOTES:



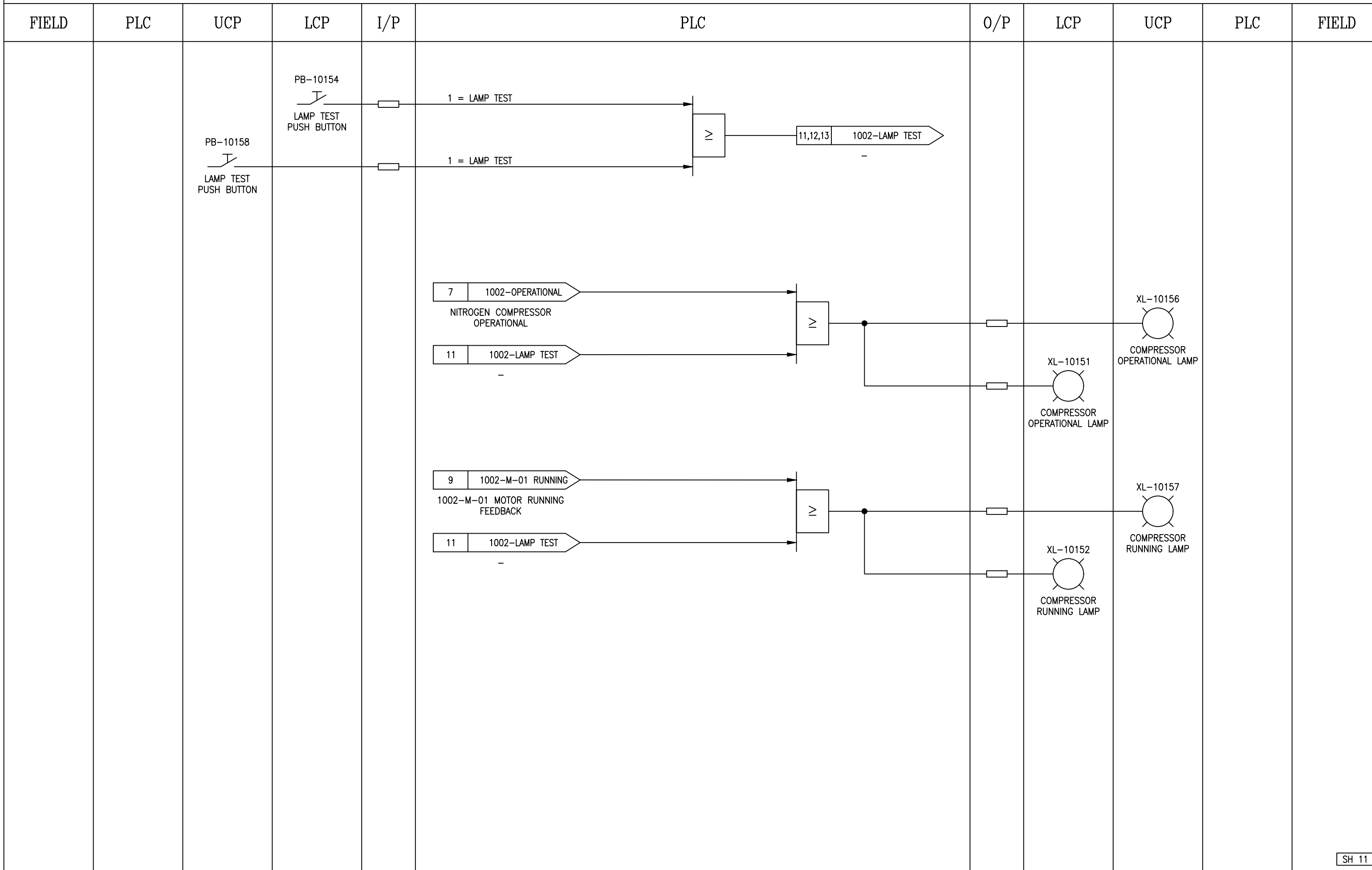
SUBJECT		BUSHEHR PETROCHEMICAL COMPANY MEG PLANT NITROGEN COMPRESSOR	
CLIENT	BUSHEHR PETROCHEMICAL COMPANY (BUPC)	PLANT LOCATION	IRAN
CLIENT REF	20-C-1002	DRAWING NO.	17811-32A
AIRPACK REF	17811	SHEETNO.	09 /14

DATE	20-11-2020
DRAWN BY	TJ
CHECKED BY	KP

THIS DRAWING IS OWNED BY AIRPACK AND SHALL NOT BE PRINTED OR COPIED IN ANY OTHER WAY THAN WITH AIRPACKS PERMISSION		
REV 05	04-07-2022	RT
REV 04	16-05-2022	WZ
REV 03	18-03-2022	AS
REV 02	03-01-2022	AS
REV 01	29-11-2021	WZ
REV 00	20-11-2020	TJ

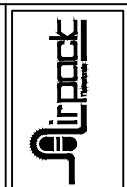


LOGIC DIAGRAM



SH 11

NOTES:

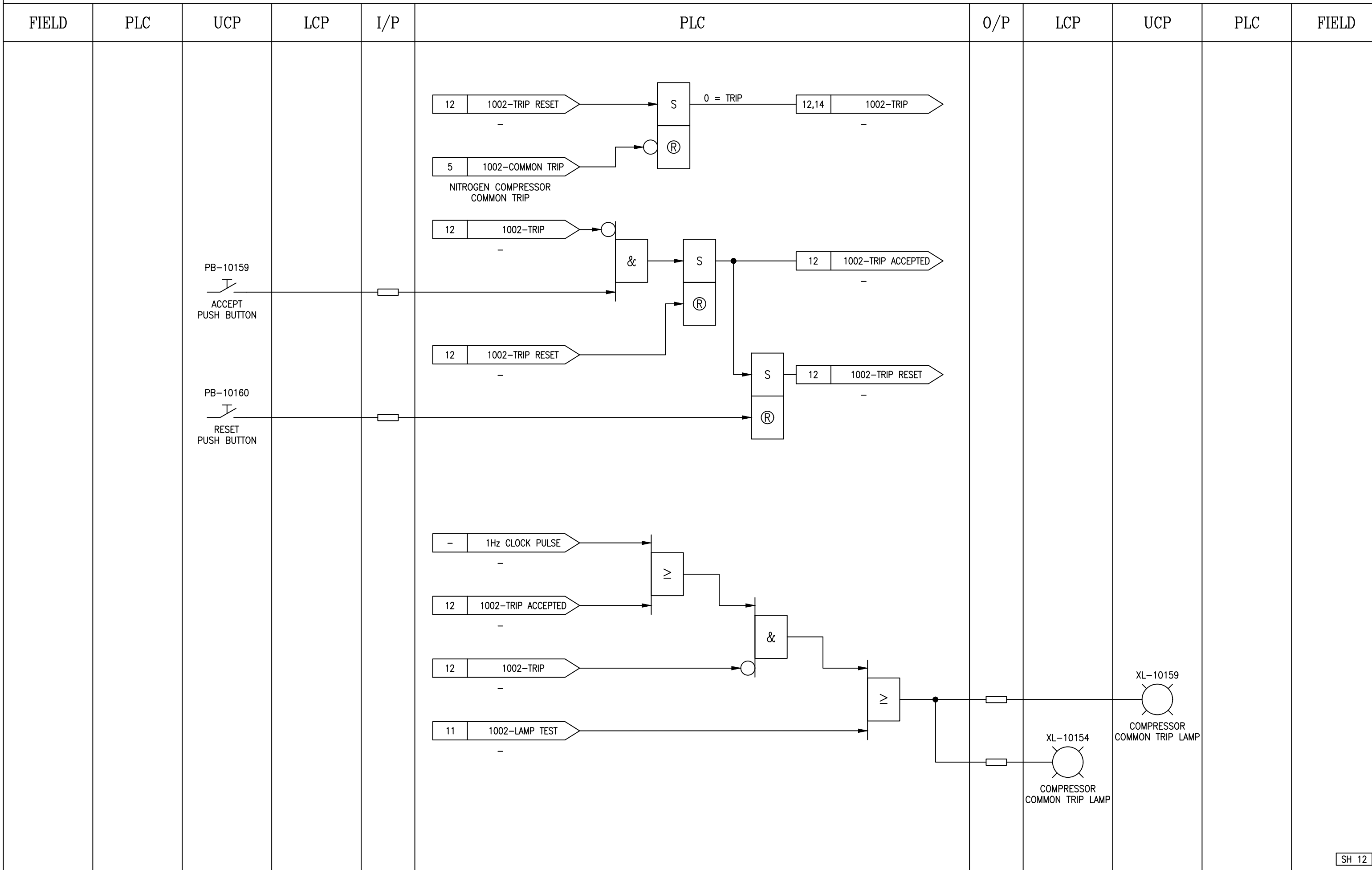


SUBJECT		BUSHEHR PETROCHEMICAL COMPANY MEG PLANT NITROGEN COMPRESSOR	
CLIENT	BUSHEHR PETROCHEMICAL COMPANY (BUPC)	PLANT LOCATION	IRAN
CLIENT REF	20-C-1002	DRAWING NO.	17811-32A
AIRPACK REF	17811	SHEETNO.	11 /14

DATE	20-11-2020
DRAWN BY	TJ
CHECKED BY	KP

THIS DRAWING IS OWNED BY AIRPACK AND SHALL NOT BE PRINTED OR COPIED IN ANY OTHER WAY THAN WITH AIRPACKS PERMISSION		
REV 05	04-07-2022	RT
REV 04	16-05-2022	WZ
REV 03	18-03-2022	AS
REV 02	03-01-2022	AS
REV 01	29-11-2021	WZ
REV 00	20-11-2020	TJ

LOGIC DIAGRAM



SH 12

NOTES:

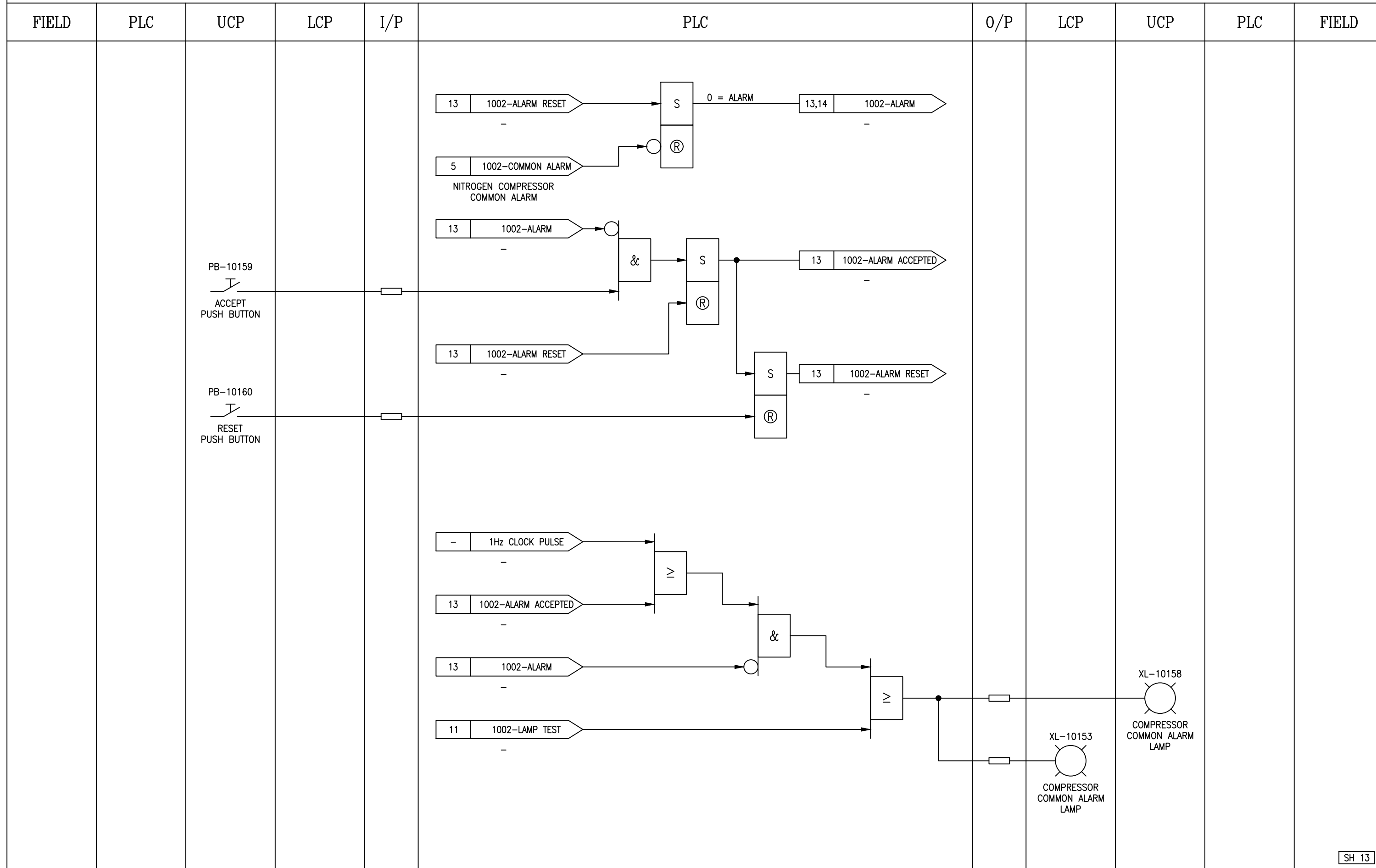


SUBJECT		BUSHEHR PETROCHEMICAL COMPANY MEG PLANT NITROGEN COMPRESSOR	
CLIENT	BUSHEHR PETROCHEMICAL COMPANY (BUPC)	PLANT LOCATION	IRAN
CLIENT REF	20-C-1002	DRAWING NO.	17811-32A
AIRPACK REF	17811	SHEETNO.	12 / 14

DATE	20-11-2020
DRAWN BY	TJ
CHECKED BY	KP

THIS DRAWING IS OWNED BY AIRPACK AND SHALL NOT BE PRINTED OR COPIED IN ANY OTHER WAY THAN WITH AIRPACKS PERMISSION		
REV 05	04-07-2022	RT
REV 04	16-05-2022	WZ
REV 03	18-03-2022	AS
REV 02	03-01-2022	AS
REV 01	29-11-2021	WZ
REV 00	20-11-2020	TJ

LOGIC DIAGRAM

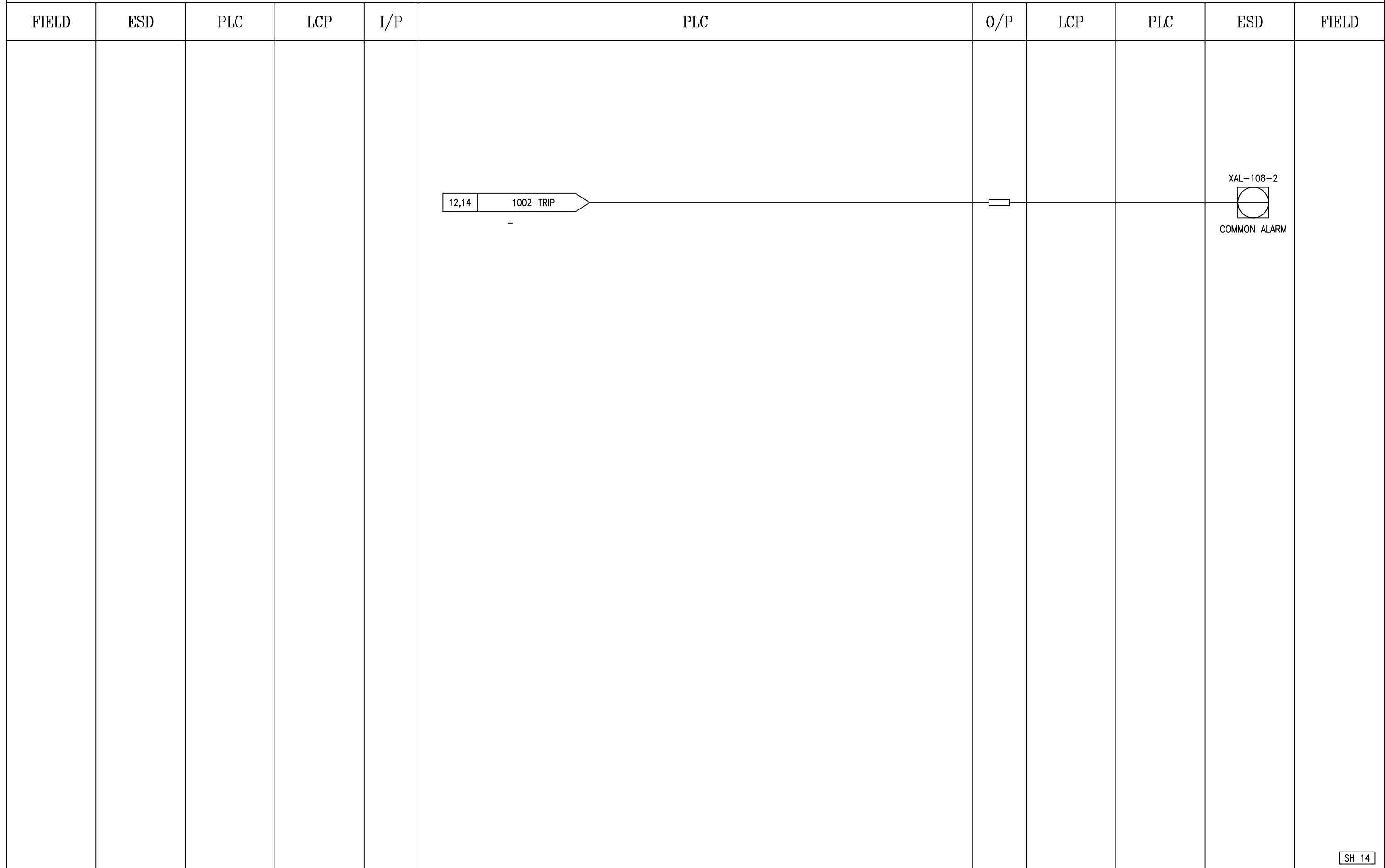


SH 13

NOTES:

	SUBJECT BUSHEHR PETROCHEMICAL COMPANY MEG PLANT NITROGEN COMPRESSOR		DATE	20-11-2020	THIS DRAWING IS OWNED BY AIRPACK AND SHALL NOT BE PRINTED OR COPIED IN ANY OTHER WAY THAN WITH AIRPACKS PERMISSION
			DRAWN BY	TJ	
		CLIENT	BUSHEHR PETROCHEMICAL COMPANY (BUPC)	PLANT LOCATION	IRAN
		CLIENT REF	20-C-1002	DRAWING NO.	17811-32A
		AIRPACK REF	17811	SHEETNO.	13 / 14
					REV 05 04-07-2022 RT
					REV 04 16-05-2022 WZ
					REV 03 18-03-2022 AS
					REV 02 03-01-2022 AS
					REV 01 29-11-2021 WZ
					REV 00 20-11-2020 TJ

LOGIC DIAGRAM



SH 14

NOTES:



SUBJECT		BUSHEHR PETROCHEMICAL COMPANY MEG PLANT NITROGEN COMPRESSOR	
CLIENT	BUSHEHR PETROCHEMICAL COMPANY (BUPC)	PLANT LOCATION	IRAN
CLIENT REF	20-C-1002	DRAWING NO.	17811-32A
AIRPACK REF	17811	SHEETNO.	14 /14

DATE	20-11-2020
DRAWN BY	TJ
CHECKED BY	KP

THIS DRAWING IS OWNED BY AIRPACK AND SHALL NOT BE PRINTED OR COPIED IN ANY OTHER WAY THAN WITH AIRPACKS PERMISSION

REV 05	04-07-2022	RT
REV 04	16-05-2022	WZ
REV 03	18-03-2022	AS
REV 02	03-01-2022	AS
REV 01	29-11-2021	WZ
REV 00	20-11-2020	TJ