



Vendor 	ABT 360 KT/Y PP PLANT Project		Owner  سراج گستران رجال SERAJ GOSTARAN REJAL (سهایی خاص)
	General Arrangement Drawing (incl foundation load details)		
	Vendor's Doc. No.: 23249-04A	Rev.: 01	
	PPEC Doc. No.: L03-RE037-ME-GAD-001		



PPEC REQ. NO. : L03-RE037-ME-GAD-001

ITEM NO. :

TOTAL PAGES : 03

<ul style="list-style-type: none"> ○ NO COMMENTS : Documents/Drawings Were Checked By PPEC And Further Step Can Be Followed. ○ COMMENTED AS MARKED: Documents/Drawings Were Checked By PPEC And Marked Comments Must Be Considered By Vendor. Vendor Shall Revise Documents/Drawing As Per Comments And The New Revision Of Documents/Drawings Must Be Revised Prior To Fabrication. ○ REJECTED: Documents/Drawings Were Checked And It Is Not In Comply With Purchase Requisition Requirements. ○ ACCEPTABLE WITH COMMENTS: Documents/Drawings Were Checked By PPEC And Comments Must Be Considered By Vendor. Fabrication Can Proceed Accordingly. Revised Document To Be Issued Either For Review Or As Final Certified. However PPEC Will Check The Revised Document For Proper Incorporation Of Comments. ○ NOT RETURNED: Document Was Received For Information And Not Returned To The Vendor. 		
Name :	Req. No. :	Seq. No.:
Signature:		
Date :		
PPEC review & comments does not absolve the vendor of the responsibility for the corrected design, manufacturing and operation of the equipment		

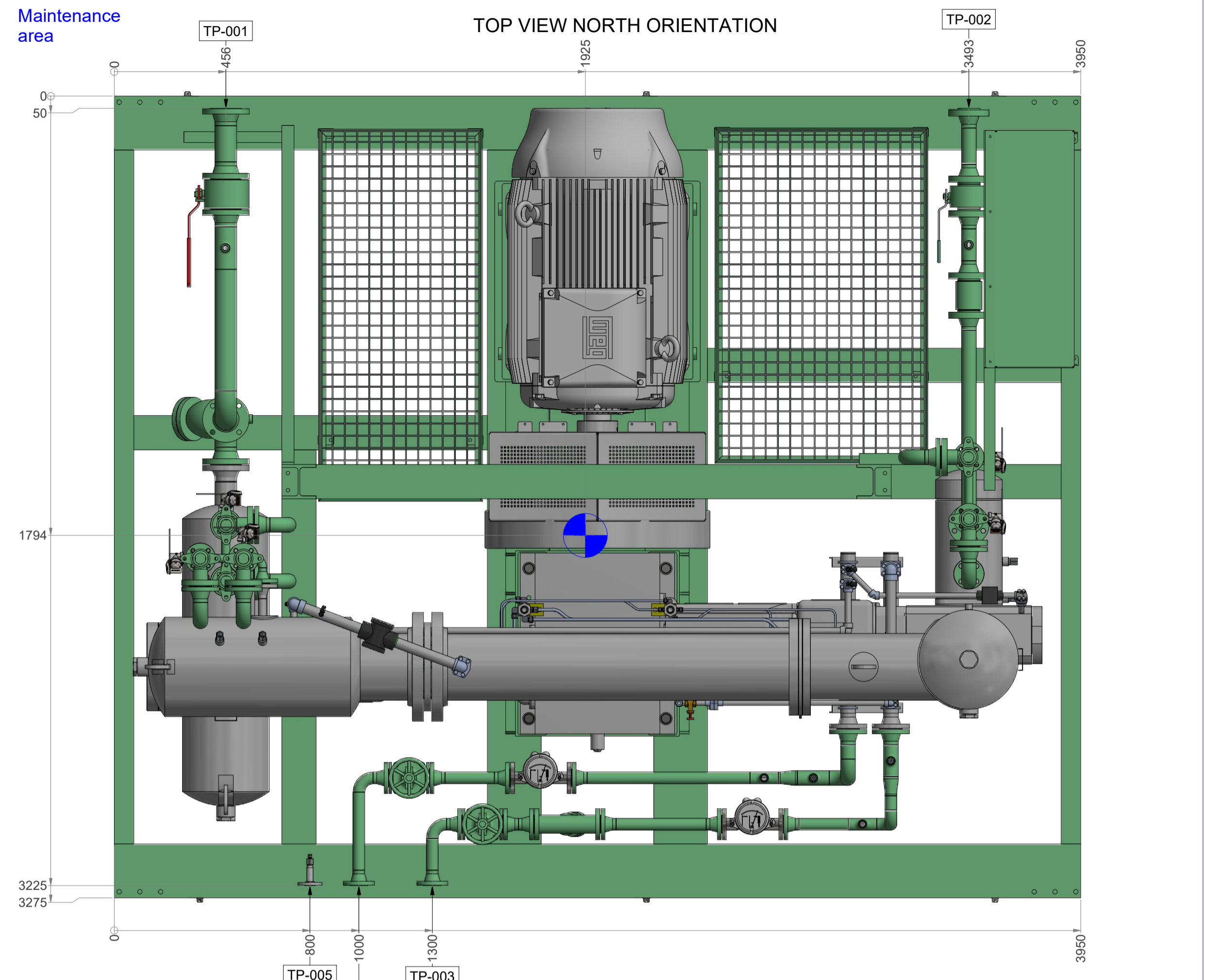
REV.	DATE	Description	Prepared by	Checked by	Approved by	Authorized by
01	11-07-2025	Issue for Engineering	F.T.	S.K.	J.J.	
00	28-04-2025	Issue for Engineering	F.T.	S.K.	J.J.	

Vendor	ABT 360 KT/Y PP PLANT	Contractor (DEC)	Owner
	General Arrangement Drawing (incl foundation load details)		 سراج گستران رجالی SERAJ GOSTARAN REJAL (سهامی خاص)
	Vendor's Doc. No.: 2 3 2 4 9 - 0 4 A		
	PPEC Doc. No.: L03-RE037-ME-GAD-001	Rev.: 01	

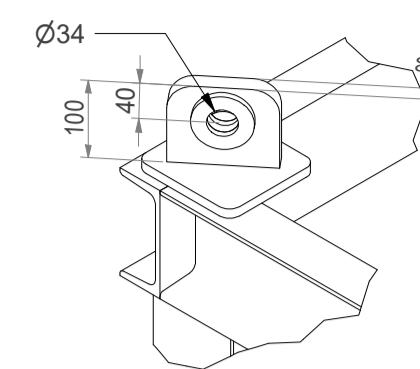
PAGE NO.	CHANGE INDEX DURING FORMAL ISSUE						REASON OF LATEST CHANGE
	FIRST ISSUE	SECOND ISSUE	THIRTH ISSUE	FOURTH ISSUE	FIFTH ISSUE	SIXTH ISSUE	
	REV.00	REV.01	REV.02	REV.03	REV.04	REV.05	
1	X	X					
2	X	X					
3	X	X					
4							
5							
6							
7							
8							
9							
10							
11							
12							
13							
14							
15							
16							
17							
18							
19							
20							
21							
22							
23							
24							
25							
26							
27							
28							
29							
30							
31							
32							
33							
34							
35							
36							
37							
38							
39							
40							



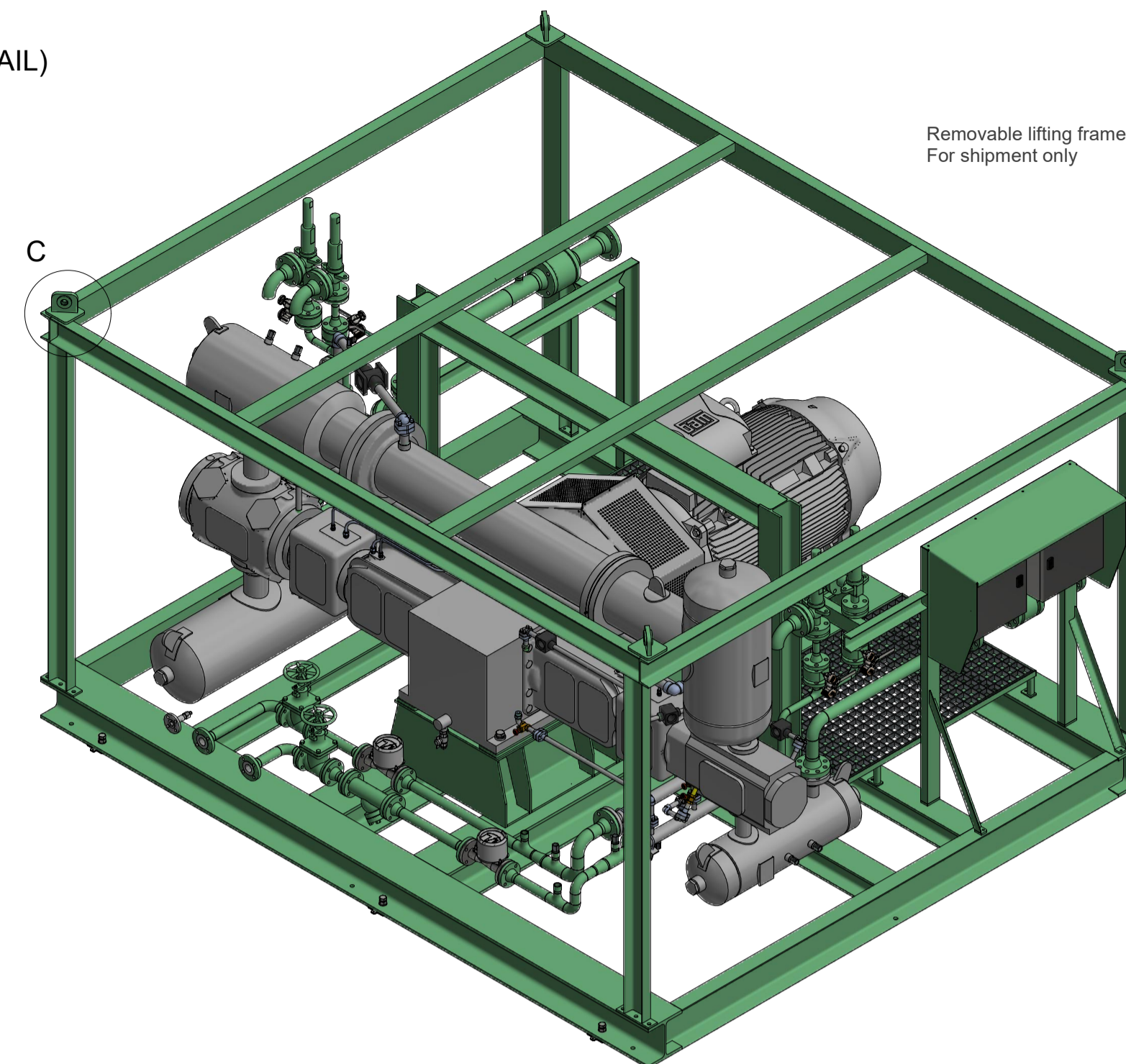
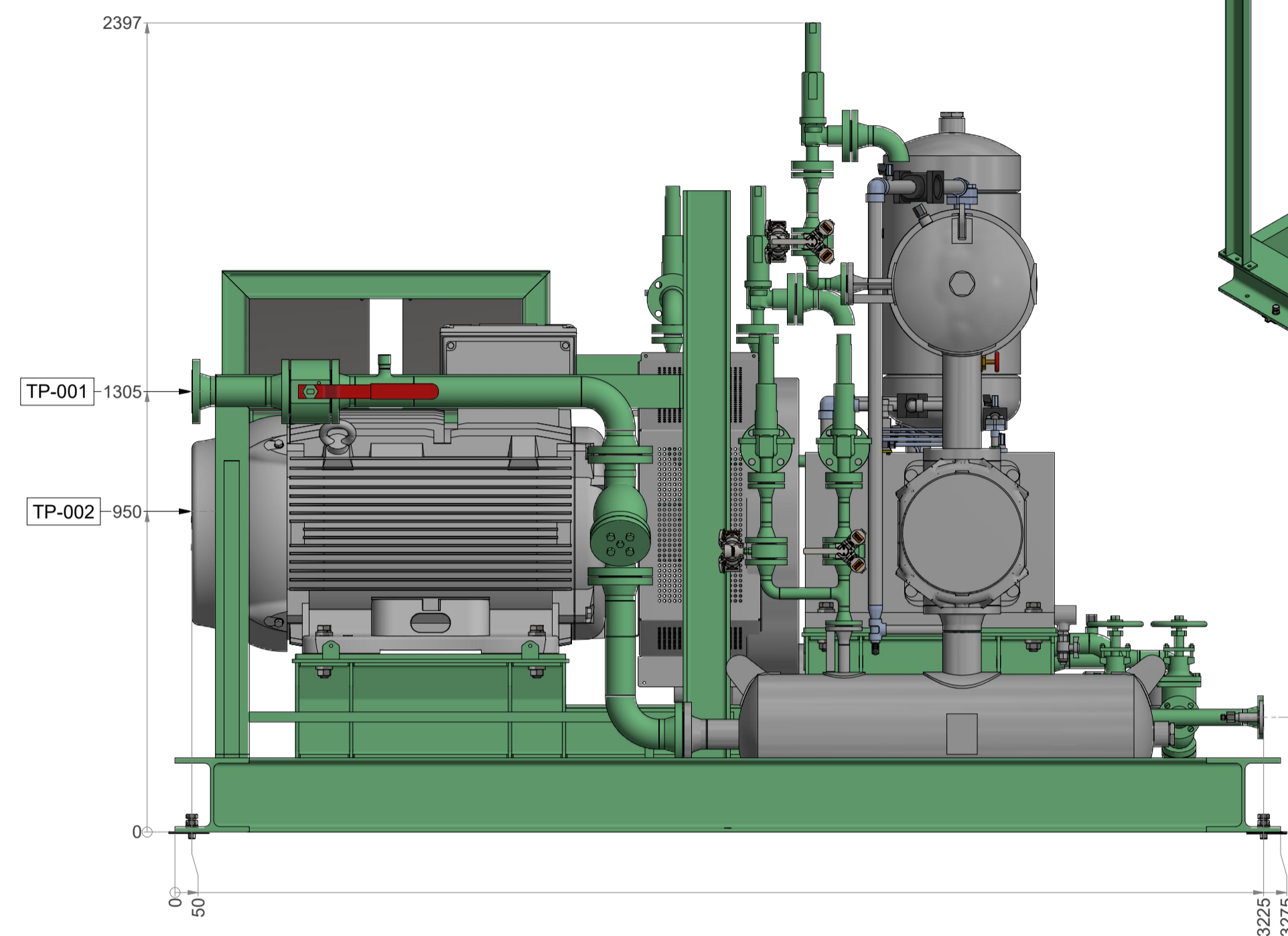
Maintenance area



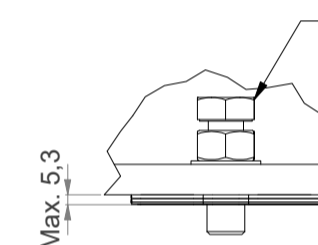
C (LIFTING LUG DETAIL)



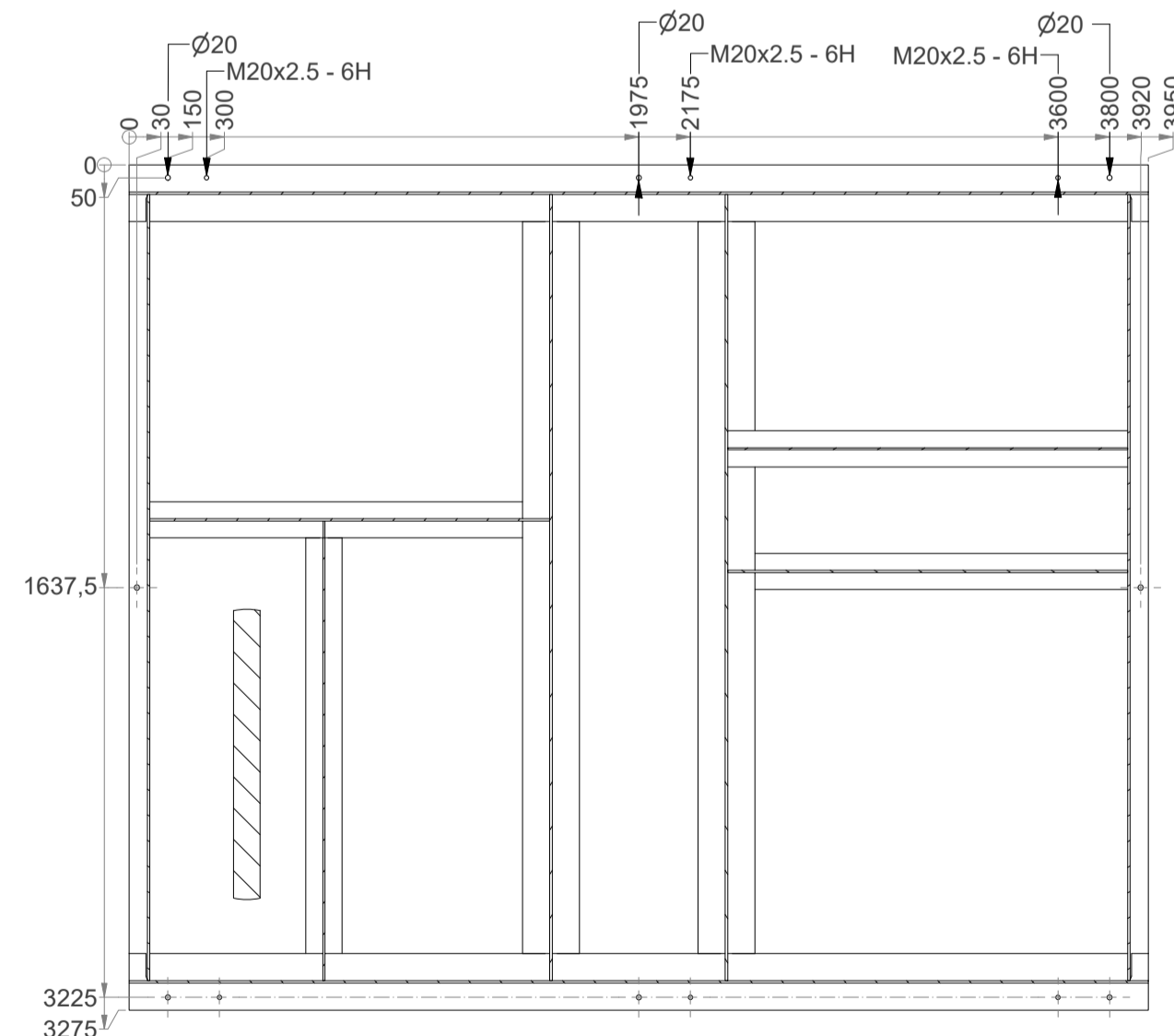
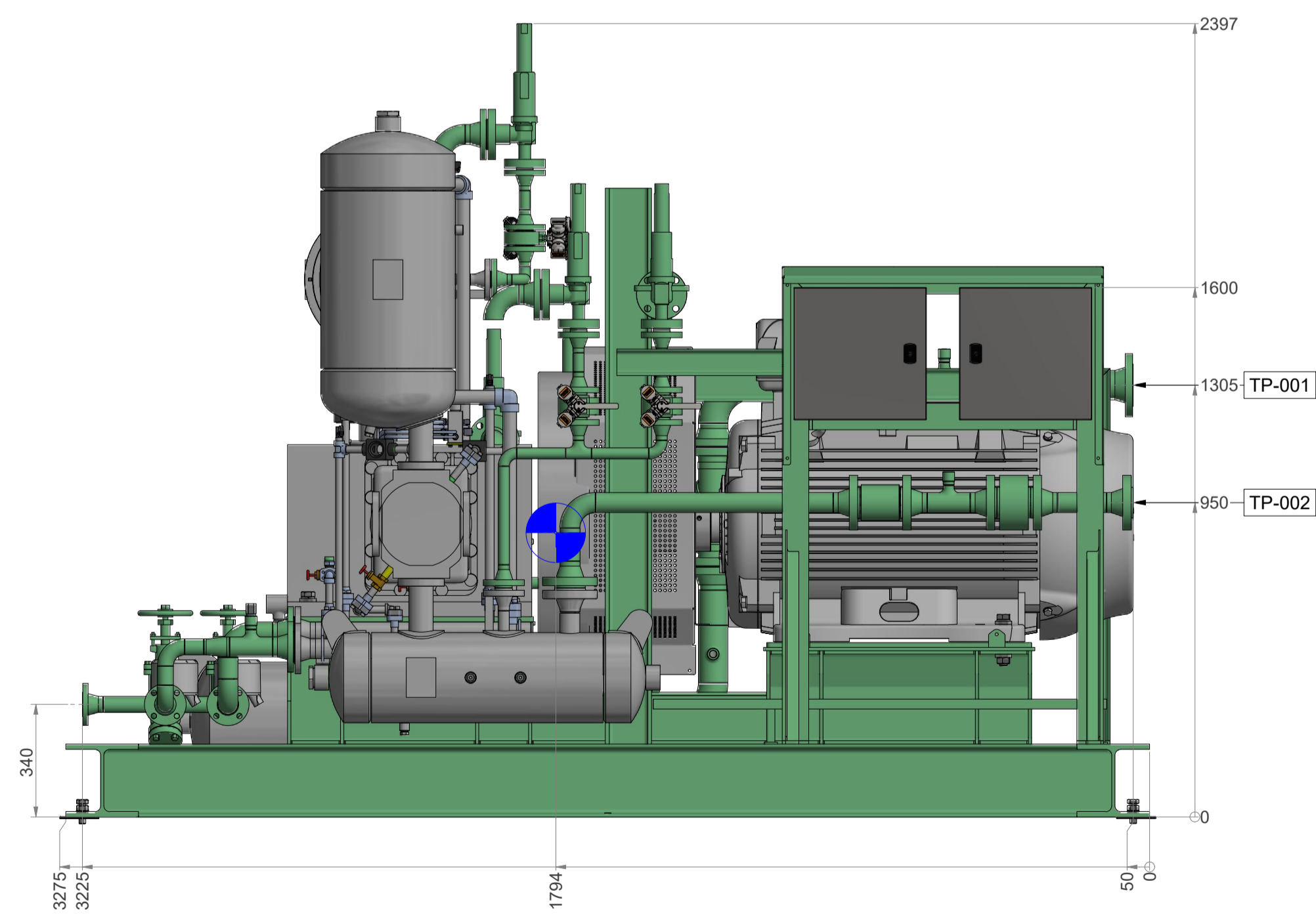
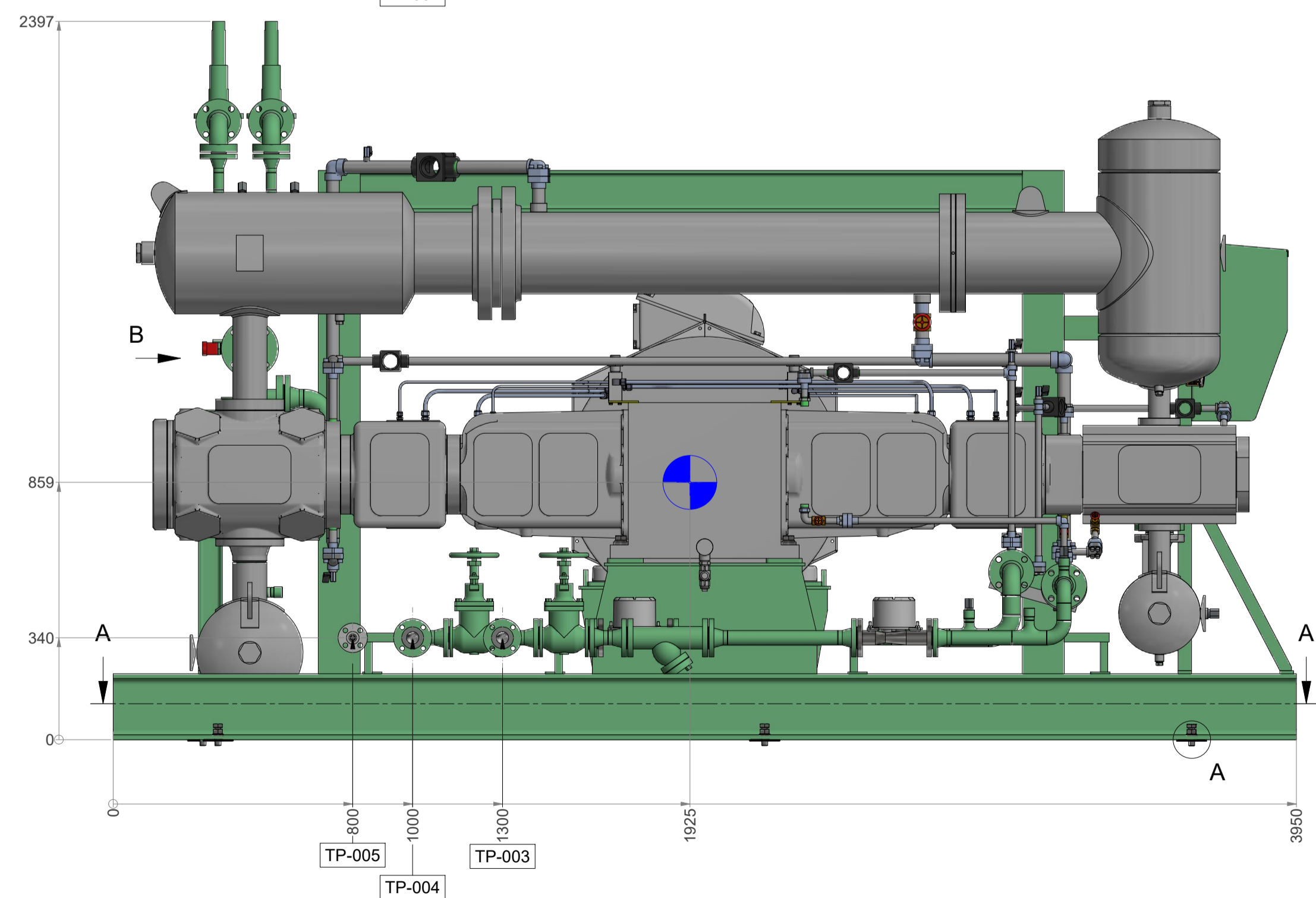
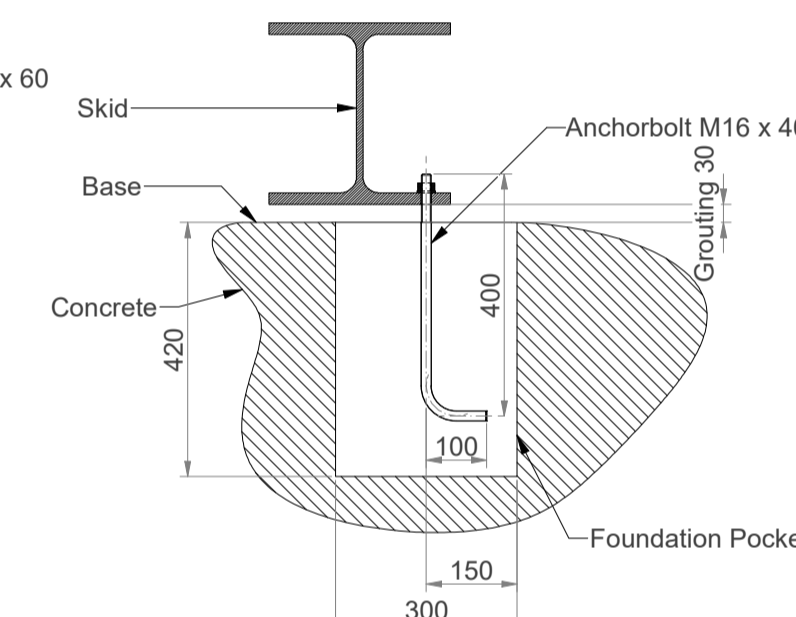
B (1 : 15)



A (LEVELING BOLT)



A-A (FOUNDATION PLAN)



NOTES/ LEGEND

- Calculated Transport Weight 6700 kg



NOZZLE DATA

Tie-in Point	Nozzle	Size	Rating	Type	Material	FORCES (kN)			MOMENTS (N/m)			Remarks
						FH	FA	FV	MH	MA	MV	
INLET	TP-001	3"	150#	WNF ACC. ASME B16.5 RF	A/SA105N	3	3	3	1.5	3	1.5	
OUTLET	TP-002	2"	600#	WNF ACC. ASME B16.5 RF	A/SA105N	2	2	2	0.9	2	0.9	
COOLING WATER SUPPLY	TP-003	1 1/2"	150#	WNF ACC. ASME B16.5 RF	A/SA105N	1	1	1	0.3	1	0.3	
COOLING WATER RETURN	TP-004	1 1/2"	150#	WNF ACC. ASME B16.5 RF	A/SA105N	1	1	1	0.3	1	0.3	
Instrument air inlet	TP-005	1/2"	150#	WNF ACC. ASME B16.5 RF	A/SA316L	0.5	0.5	0.5	0.15	0.5	0.15	

Subject: GAD		Projection:	This drawing is owned by Airpack and shall not be printed or copied in any other way than with Airpack PERMISSION	
Subject: Gas Booster Compressor Package			REV. DATE	REV. DATE
Client: Seraj Gostaran Rejal	Client Ref: ABT 360 KT/Y PP PLANT Project	Client Doc. No: L03-RE037-ME-GAD-001	1 11-07-2025	FVT
			0 28-4-2025	FVT
Airpack Nederland BV Groeneveld 25 4302 RN Zierikzee The Netherlands Telephone (31) (0) 111 - 415455 E-mail: airpack@airpack.nl URL: http://www.airpack.nl		Checked by: FVT	Plant Location:	Airpack Ref: 23249-COM
Scale:		Drawing No: 23249-04 GAD		Sheet 1 of 1