



Vendor 	ABT 360 KT/Y PP PLANT Project		Owner  سراج گستران رجال SERAJ GOSTARAN REJAL (سهایی خاص)
	Panel layout drawing		
	Vendor's Doc. No.: 23249-07	Rev.: 00	
PPEC Doc. No.: L03-RE037-EL-GAD-003			



PPEC REQ. NO. : L03-RE037-EL-GAD-003

ITEM NO. :




TOTAL PAGES : 08

<ul style="list-style-type: none"> ○ NO COMMENTS : Documents/Drawings Were Checked By PPEC And Further Step Can Be Followed. ○ COMMENTED AS MARKED: Documents/Drawings Were Checked By PPEC And Marked Comments Must Be Considered By Vendor. Vendor Shall Revise Documents/Drawing As Per Comments And The New Revision Of Documents/Drawings Must Be Revised Prior To Fabrication. ○ REJECTED: Documents/Drawings Were Checked And It Is Not In Comply With Purchase Requisition Requirements. ○ ACCEPTABLE WITH COMMENTS: Documents/Drawings Were Checked By PPEC And Comments Must Be Considered By Vendor. Fabrication Can Proceed Accordingly. Revised Document To Be Issued Either For Review Or As Final Certified. However PPEC Will Check The Revised Document For Proper Incorporation Of Comments. ○ NOT RETURNED: Document Was Received For Information And Not Returned To The Vendor. 		
Name :	Req. No. :	Seq. No.:
Signature:		
Date :		
PPEC review & comments does not absolve the vendor of the responsibility for the corrected design, manufacturing and operation of the equipment		

00	16-04-2025	Issue for Engineering	R.T.	S.K.	J.J.	
REV.	DATE	Description	Prepared by	Checked by	Approved by	Authorized by

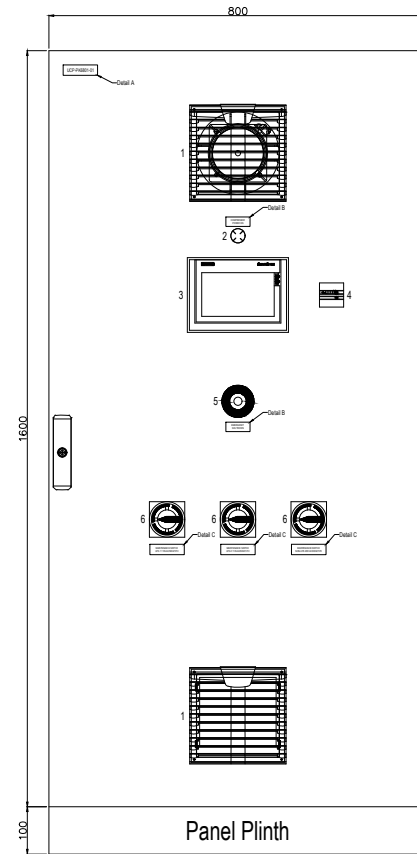
Vendor 	ABT 360 KT/Y PP PLANT		Contractor (DEC)	Owner  سراج گستران رجال SERAJ GOSTARAN REJAL (سهامی خاص)
	Panel layout drawing			
	Vendor's Doc. No.: 23249-07	Rev.: 00		
PPEC Doc. No.: L03-RE037-EL-GAD-003				

PAGE NO.	CHANGE INDEX DURING FORMAL ISSUE						REASON OF LATEST CHANGE
	FIRST ISSUE	SECOND ISSUE	THIRTH ISSUE	FOURTH ISSUE	FIFTH ISSUE	SIXTH ISSUE	
	REV.00	REV.01	REV.02	REV.03	REV.04	REV.05	
1	X						
2	X						
3	X						
4	X						
5	X						
6	X						
7	X						
8	X						
9							
10							
11							
12							
13							
14							
15							
16							
17							
18							
19							
20							
21							
22							
23							
24							
25							
26							
27							
28							
29							
30							
31							
32							
33							
34							
35							
36							
37							
38							
39							
54							

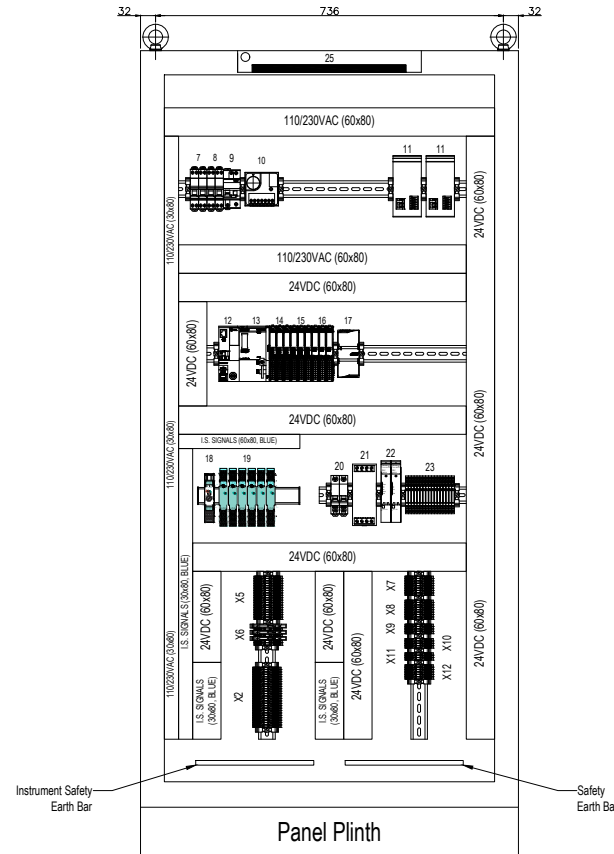
1	2		3	4	5		6	7	8													
Nr.	Description		Tag Number	Brand	Model Number		Qty	GENERAL NOTES														
1	Panel Ventilation Fan and Filter		3M11	Rittal	3239.100; 3239.200		1															
2	Power On Indication Lamp (White)		2H19	Schneider Electric	XB4BVB1		1															
3	HMI Screen		9A4	Siemens	6AV2124-0GC01-0AX0		1															
4	Hour Meter		17U6	Bauser	629.2		1															
5	Maintenance Switches		2S2/6/9	Schneider Electric	VBF01		3															
6	Emergency Shutdown Pushbutton		4S13	Schneider Electric	XB4BS8444; ZBZ1605		1															
7	Dual Pole Circuit Breaker, 10A		2F15/17	Schneider Electric	A9P54610		2															
8	Dual Pole Circuit Breaker, 6A		3F4/10	Schneider Electric	A9P54606		2															
9	Earth Leakage Circuit Breaker, 16A		3F7	Schneider Electric	A9DC2616		1															
10	Thermostat		3TH10	Rittal	3110000		1															
11	DC Power Supplies		2V15/17	Phoenix Contact	2866763		1															
12	ET200SP Bus Adapter		7M7	Siemens	6ES7193-6AR00-0AA0		1															
13	Central Processing Unit 1512SP		7M4	Siemens	6ES7512-1SK01-0AB0		1															
14	ET200SP 8xDI Card		8M3/4/5	Siemens	6ES7136-6BA01-0CA0		3															
15	ET200SP 8xDO Card		8M7/8/9	Siemens	6ES7136-6DC00-0CA0		3															
16	ET200SP 4xAI Card		8M11/12/13	Siemens	6ES7136-6AA00-0CA1		3															
17	Compact Switch Module CSM 1277		9M12	Siemens	6GK7277-1AA10-0AA0		1															
18	Barriers Power Feeder		5U2	Pepperl+Fuchs	KFD2-EB2		1															
19	Barriers		5U3/4/5/6/7/8	Pepperl+Fuchs	KFD2-STC5-Ex2		6															
20	Single Pole DC Circuit Breakers, 10A		2F15.1/17.1	Schneider Electric	A9N61508		2															
21	Quint Diode		2G14	Phoenix Contact	2907719		1															
22	ESD Relay		4ESDR2/8	PILZ	750103; 750107		2															
23	Interface Relays, 24VDC		4K5; 16K6/8/10/12/14/16; 18K14/16; 19K4/5/8/10; 21K4/6; 23K4/6	Phoenix Contact	2966171		17															
24	Panel Socket Outlet (F-type)		3X7	Schneider Electric	0804024		1															
25	Panel Light		3H4	Schneider Electric	SZ 2500.200; SZ 2500.400; SZ 2500.470		1															
									REFERENCE DOCUMENT													
									PIPING & INSTRUMENT DIAGRAM		L03-RE037-PR-PID-001											
WIRING DIAGRAM (INCLUDING TERMINAL DIAGRAM)		L03-RE037-EL-DIG-001																				
									<table border="1"> <thead> <tr> <th>DE</th> <th>EXT</th> <th>IFC</th> <th>A</th> </tr> </thead> <tbody> <tr> <td>Eng. Phase</td> <td>Purpose of Distribution (POD)</td> <td>Purpose of Issue (POI)</td> <td>Owner's Action</td> </tr> </tbody> </table>		DE	EXT	IFC	A	Eng. Phase	Purpose of Distribution (POD)	Purpose of Issue (POI)	Owner's Action				
									DE	EXT	IFC	A										
Eng. Phase	Purpose of Distribution (POD)	Purpose of Issue (POI)	Owner's Action																			
<table border="1"> <thead> <tr> <th>REV.</th> <th>ISSUE DATE</th> <th>DESCRIPTION</th> <th>PREPARED BY</th> <th>CHECKED BY</th> <th>APPROVED BY</th> <th>AUTHORIZED BY</th> </tr> </thead> <tbody> <tr> <td>00</td> <td>14-04-25</td> <td>ISSUED FOR APPROVAL</td> <td>RT</td> <td>RB</td> <td>JJ</td> <td>PW</td> </tr> </tbody> </table>									REV.	ISSUE DATE	DESCRIPTION	PREPARED BY	CHECKED BY	APPROVED BY	AUTHORIZED BY	00	14-04-25	ISSUED FOR APPROVAL	RT	RB	JJ	PW
									REV.	ISSUE DATE	DESCRIPTION	PREPARED BY	CHECKED BY	APPROVED BY	AUTHORIZED BY							
00	14-04-25	ISSUED FOR APPROVAL	RT	RB	JJ	PW																
DE CONTRACTOR :			BE CONTRACTOR :			OWNER :																
																						
PROJECT : ABT 360KT/Y PP PLANT																						
TITLE : PANEL LAYOUT DRAWING																						
SCALE : N/A		DWG. NO. : L03-RE037-EL-GAD-003		PPEC PROJECT NO. : 1402-SGE-088		REV. : 00		SIZE : A3														

Compressor Unit Control Panel
UCP-PK6801-01

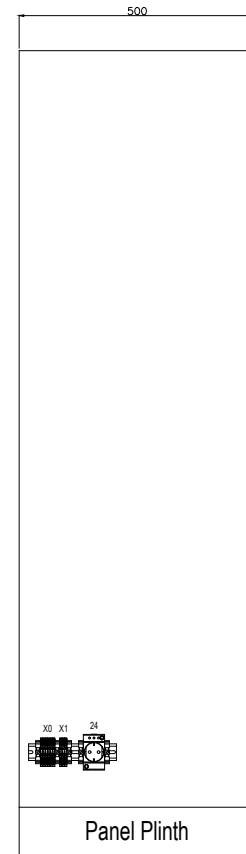
Front Side (Outside) View



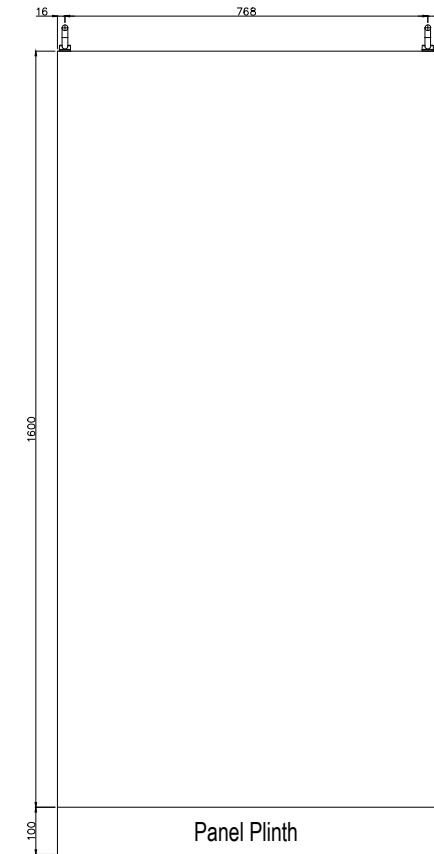
Front Side (Inside) View



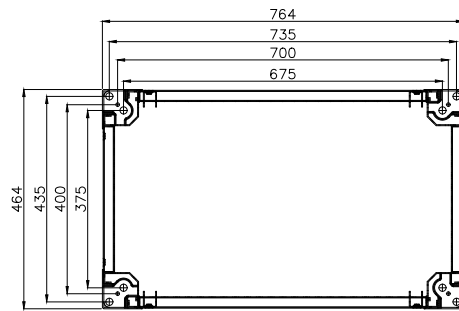
Side (Left, Inside) View



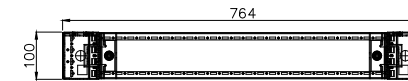
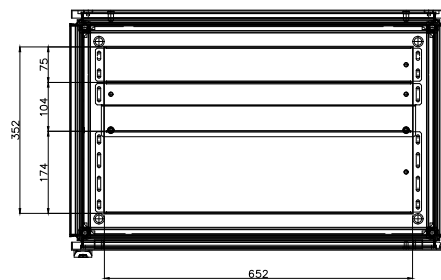
Back Side (Outside) View



Panel Plinth Details



Panel Gland Plate Details



GENERAL NOTES

- Notes:
- Panel Dimensions: 1600x800x500
 - Panel Material: Painted Sheet Steel (Ral 7035)
 - Panel Plinth Material: Painted Sheet Steel (Ral 7022)
 - Area Classification: Safe Area
 - Color of Terminals and Raceways shall be gray for non-I.S. Signals and light blue for I.S. Signals.
 - Cable raceways shall have 20% spare space.
 - Panel weight: ~150Kg.
 - Manufacturer: Rittal
 - Model Number: 8865000
 - Lifting eyes will be included as per this drawing.
 - DIN Rail Type: NS35
 - Right Door Opening: 130 degrees.
 - For more details on Detail "A, B & C", refer to sheet 6.
 - Emergency Pushbutton shall be fitted with a cover to protect against accidental activation.

REFERENCE DOCUMENT

PIPING & INSTRUMENT DIAGRAM	L03-RE037-PR-PID-001
WIRING DIAGRAM (INCLUDING TERMINAL DIAGRAM)	L03-RE037-EL-DIG-001



LEGENDS & ABBREVIATION

DE	EXT	IFC	A
Eng. Phase	Purpose of Distribution (POD)	Purpose of Issue (POI)	Owner's Action

00	14-04-25	ISSUED FOR APPROVAL	RT	RB	JJ	PW
REV.	ISSUE DATE	DESCRIPTION	PREPARED BY	CHECKED BY	APPROVED BY	AUTHORIZED BY

DE CONTRACTOR :	BE CONTRACTOR :	OWNER :
PETRO PALAYESH ENGINEERING Co.	TEG ENGINEERING GROUP COMPANY	SERAJ GOSTARJAN REJAL

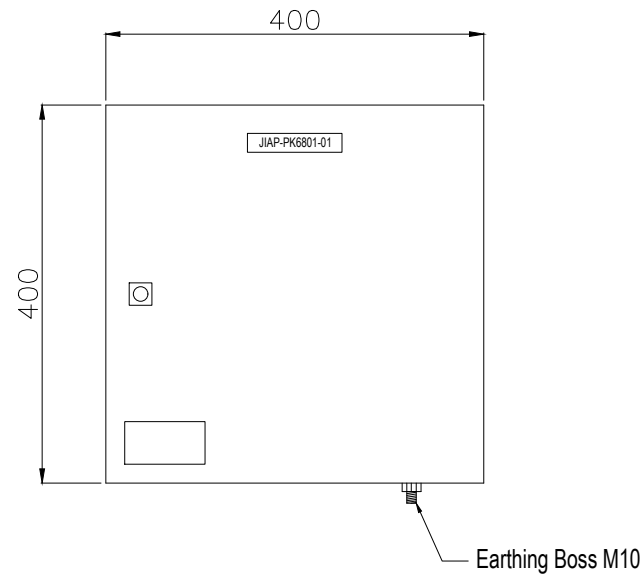
PROJECT : ABT 360KT/Y PP PLANT

TITLE : PANEL LAYOUT DRAWING

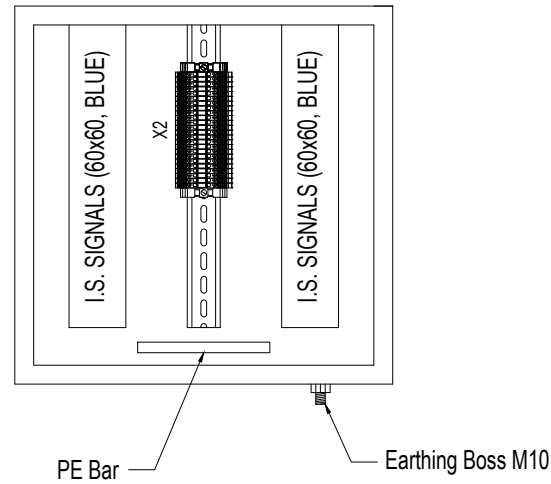
SCALE : N/A	DWG. NO. : L03-RE037-EL-GAD-003	PPEC PROJECT NO. : 1402-SGE-088	REV. : 00	SIZE : A3
SHEET : 2 OF 6				

Analog Junction Box JIAP-PK6801-01

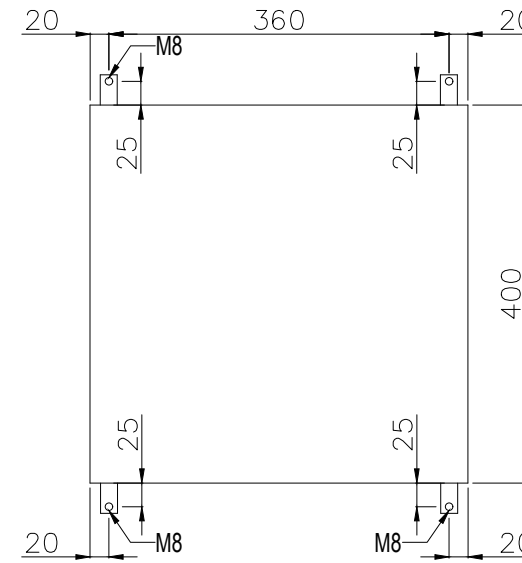
Front (Outside) View



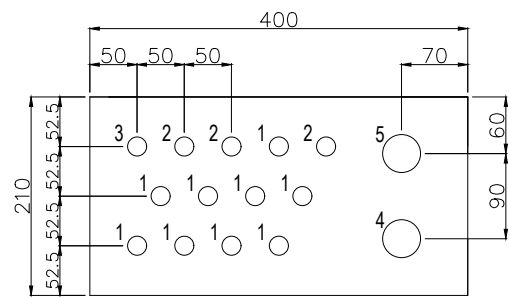
Front (Inside) View



Rear (Outside) View

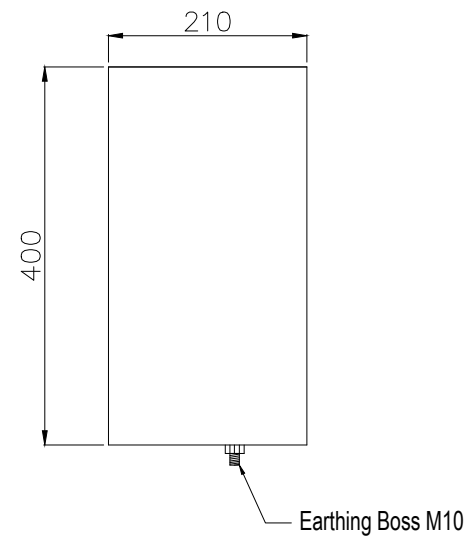


Bottom View



- 1. 9 x M20 - Single Pair Cables to I.S. Transmitters
- 2. 3 x M20 - Spare
- 3. 1 x M20 - Breather Drain
- 4. 1 x M40 - Multi Pair Cable to UCP
- 5. 1 x M40 - Spare

Side (Outside) View



GENERAL NOTES

- Notes:
1. Panel Dimensions: 400x400x210
 2. Panel Material: Stainless Steel SS316
 3. Area Classification: Ex e IIC 2G T3
 4. IP: 65
 5. Color of Terminals and Raceways shall be gray for non-I.S. Signals and light blue for I.S. Signals.
 6. Cable raceways shall have 20% spare space.
 7. DIN Rail Type: NS35
 8. For more details on Detail "A, B & C", refer to sheet 6.
 9. Bottom cable entry with breather drain will be provided as per this drawing.
 10. Cable glands will be brass nickel plated, certified, double compression type and will include an earth tag and a shroud.
 11. Emergency Pushbutton shall be fitted with a cover to protect against accidental activation.

REFERENCE DOCUMENT

PIPING & INSTRUMENT DIAGRAM	L03-RE037-PR-PID-001
WIRING DIAGRAM (INCLUDING TERMINAL DIAGRAM)	L03-RE037-EL-DIG-001



LEGENDS & ABBREVIATION

DE	EXT	IFC	A
Eng. Phase	Purpose of Distribution (POD)	Purpose of Issue (POI)	Owner's Action
00	14-04-25	ISSUED FOR APPROVAL	RT RB JJ PW
REV.	ISSUE DATE	DESCRIPTION	PREPARED BY CHECKED BY APPROVED BY AUTHORIZED BY

DE CONTRACTOR :	BE CONTRACTOR :	OWNER :
PETRO PALAYESH ENGINEERING Co.	TG ENGINEERING GROUP	SERAI GOSTARAN REJAL

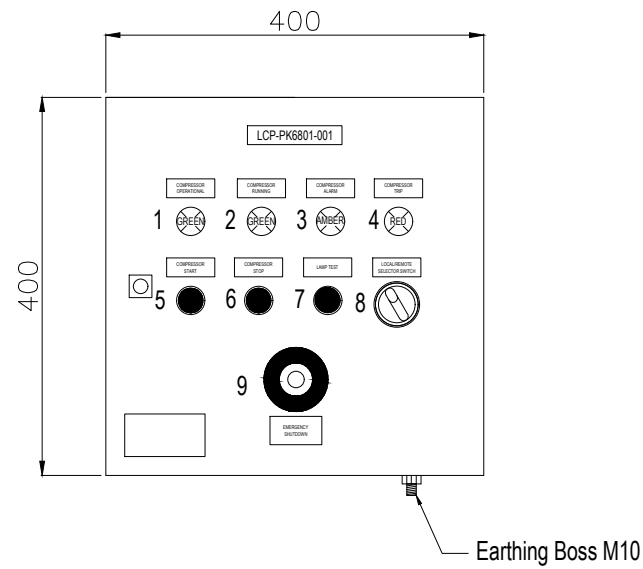
PROJECT : ABT 360KT/Y PP PLANT

TITLE : PANEL LAYOUT DRAWING

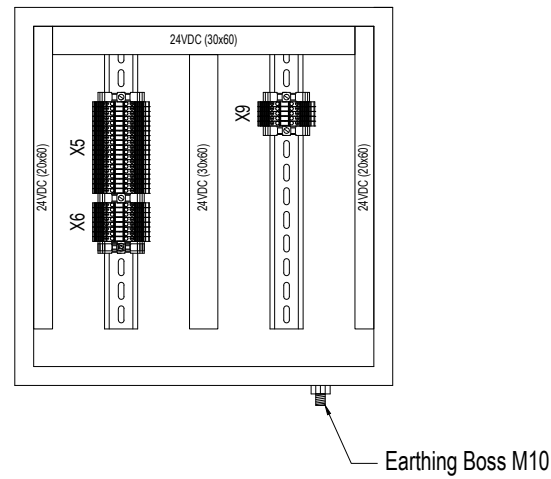
SCALE : N/A	DWG. NO. : L03-RE037-EL-GAD-003	PPEC PROJECT NO. : 1402-SGE-088	REV. : 00	SIZE : A3
-------------	---------------------------------	---------------------------------	-----------	-----------

Local Control Panel LCP-PK6801-001

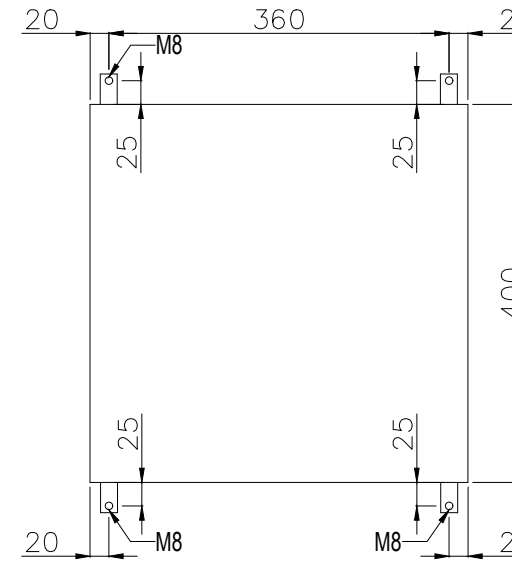
Front (Outside) View



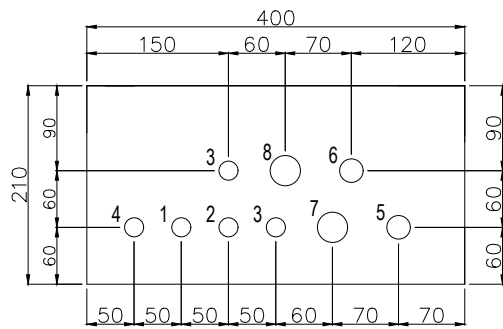
Front (Inside) View



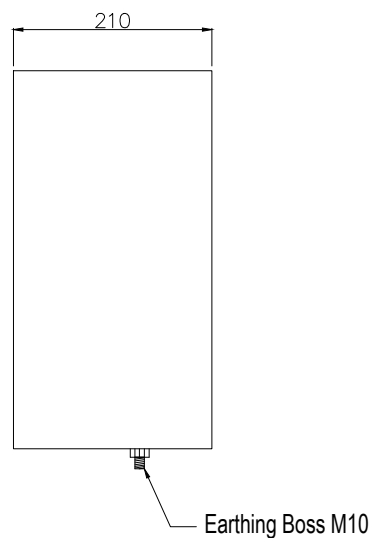
Rear (Outside) View



Bottom View



Side (Outside) View



1. 1 x M20 - Multi Pair Cable (ESD Signals) to UCP
2. 1 x M20 - Single Pair Cables to Solenoid
3. 2 x M20 - Spare
4. 1 x M20 - Breather Drain
5. 1 x M25 - Multi Pair Cable (Solenoid Signals) to UCP
6. 1 x M25 - Spare
7. 1 x M32 - Multi Pair Cable (Pushbuttons & Lamps) to UCP
8. 1 x M32 - Spare

GENERAL NOTES

- Notes:
1. Panel Dimensions: 400x400x210
 2. Panel Material: Stainless Steel SS316
 3. Area Classification: Ex e IIC 2G T3
 4. IP: 65
 5. Color of Terminals and Raceways shall be gray for non-I.S. Signals and light blue for I.S. Signals.
 6. Cable raceways shall have 20% spare space.
 7. DIN Rail Type: NS35
 8. For more details on Detail "A, B & C", refer to sheet 6.
 9. Bottom cable entry with breather drain will be provided as per this drawing.
 10. Cable glands will be brass nickel plated, certified, double compression type and will include an earth tag and a shroud.
 11. Emergency Pushbutton shall be fitted with a cover to protect against accidental activation.

REFERENCE DOCUMENT

PIPING & INSTRUMENT DIAGRAM	L03-RE037-PR-PID-001
WIRING DIAGRAM (INCLUDING TERMINAL DIAGRAM)	L03-RE037-EL-DIG-001



LEGENDS & ABBREVIATION

DE	EXT	IFC	A
Eng. Phase	Purpose of Distribution (POD)	Purpose of Issue (POI)	Owner's Action

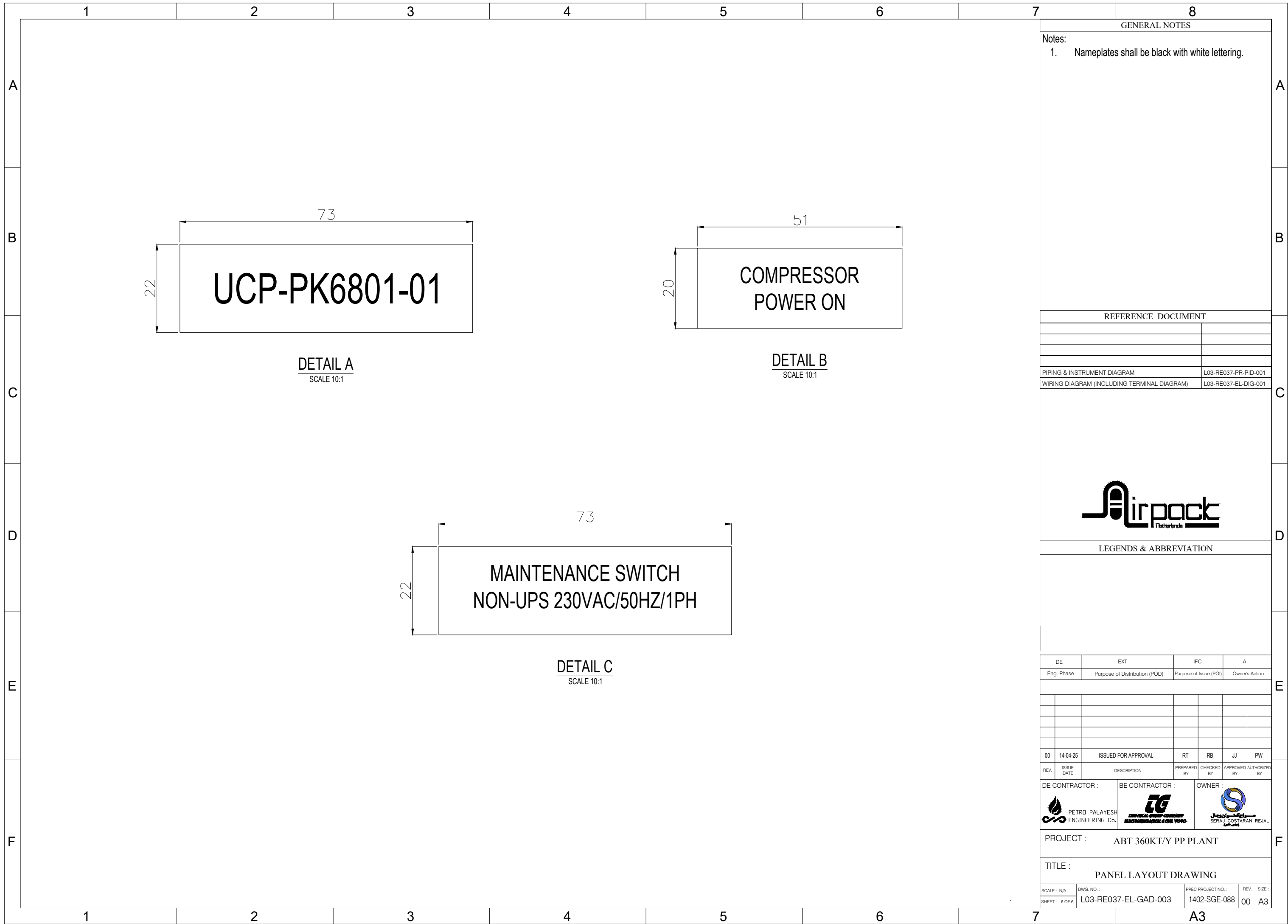
00	14-04-25	ISSUED FOR APPROVAL	RT	RB	JJ	PW
----	----------	---------------------	----	----	----	----

DE CONTRACTOR :	BE CONTRACTOR :	OWNER :
PETRO PALAYESH ENGINEERING Co.	TG ENGINEERING Co.	SERAI GOSTARAN REJAL

PROJECT : ABT 360KT/Y PP PLANT

TITLE : PANEL LAYOUT DRAWING

SCALE : N/A	DWG. NO. : L03-RE037-EL-GAD-003	PPEC PROJECT NO. : 1402-SGE-088	REV. : 00	SIZE : A3
-------------	---------------------------------	---------------------------------	-----------	-----------



GENERAL NOTES	
Notes:	
1. Nameplates shall be black with white lettering.	
REFERENCE DOCUMENT	
PIPING & INSTRUMENT DIAGRAM	L03-RE037-PR-PID-001
WIRING DIAGRAM (INCLUDING TERMINAL DIAGRAM)	L03-RE037-EL-DIG-001



LEGENDS & ABBREVIATION			
DE	EXT	IFC	A
Eng. Phase	Purpose of Distribution (POD)	Purpose of Issue (POI)	Owner's Action
00	14-04-25	ISSUED FOR APPROVAL	RT RB JJ PW
REV.	ISSUE DATE	DESCRIPTION	PREPARED BY CHECKED BY APPROVED BY AUTHORIZED BY

DE CONTRACTOR :	BE CONTRACTOR :	OWNER :
PETRO PALAYESH ENGINEERING Co.	TEG ENGINEERING GROUP COMPANY	SERAJ GOSTARAN REJAL
PROJECT : ABT 360KT/Y PP PLANT		
TITLE : PANEL LAYOUT DRAWING		
SCALE : N/A	DWG. NO. : L03-RE037-EL-GAD-003	PPEC PROJECT NO. : 1402-SGE-088
SHEET : 6 OF 6	REV. : 00	SIZE : A3